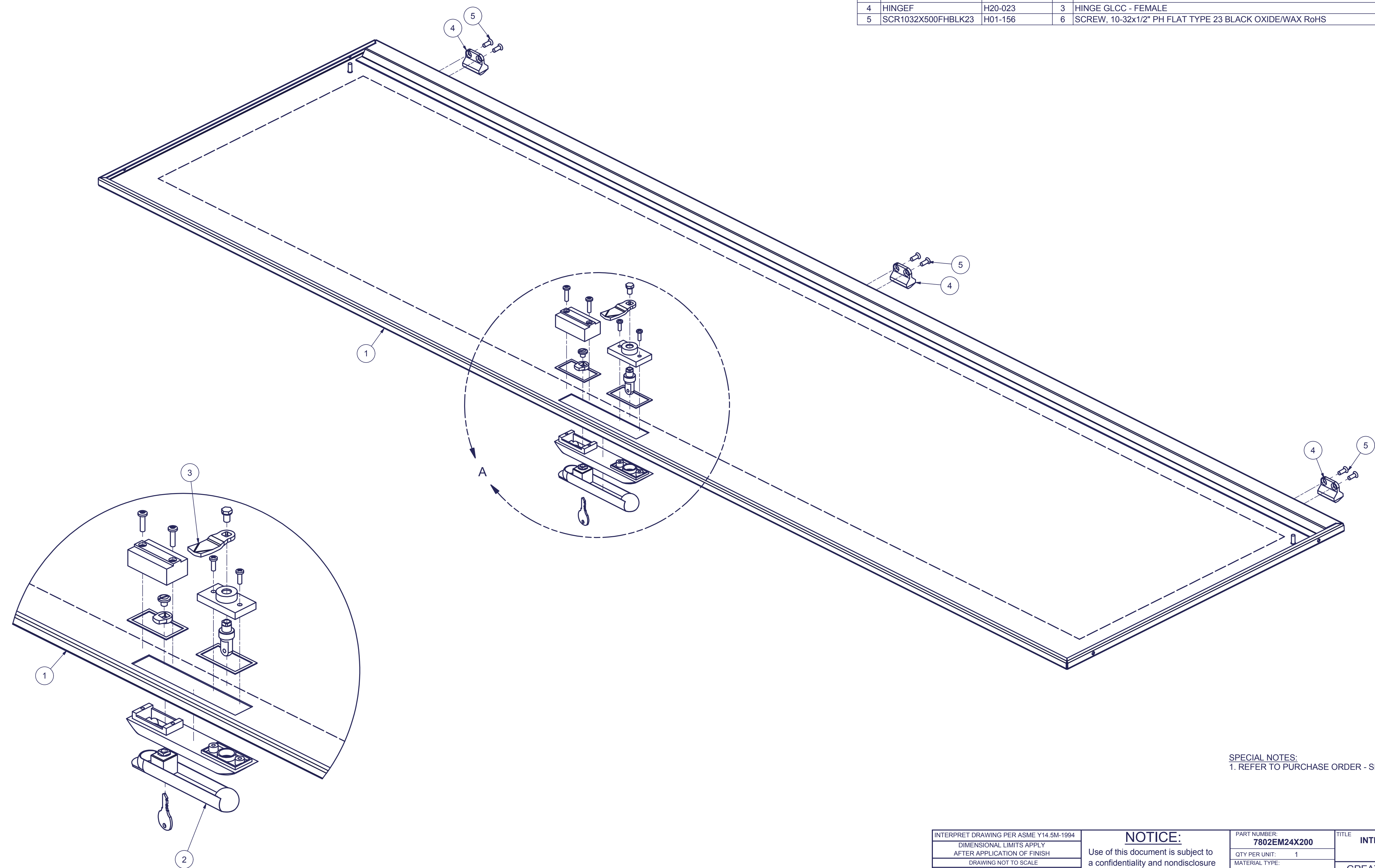


| REVISION HISTORY |             |            |          |
|------------------|-------------|------------|----------|
| REV              | DESCRIPTION | DATE       | APPROVED |
| 8                | ECO-02866   | 5/18/2010  | FED      |
| 9                | ECO-03026   | 10/15/2010 | FED      |

| Bill of Material |                    |              |     |   |                        |          |
|------------------|--------------------|--------------|-----|---|------------------------|----------|
| ITEM             | PART NUMBER        | STOCK NUMBER | QTY | DESCRIPTION   | FILE NAME              | REVISION |
| 1                |                    |              | 1   | INTEGRAL MESH ENHANCED DOOR, 78"H X 24"W 'E' - WELDMENT & DETAILS | I011897.iam            | 1        |
| 2                | XHGLCC             | H19-067      | 1   | GLCC SWING HANDLE   | XHGLCC NO CAM.iam      | -        |
| 3                | AA57711001         | H17-005      | 1   | SINGLE POINT CAM FOR XHGLCC                                       | AA5771100.ipt          | -        |
| 4                | HINGEF             | H20-023      | 3   | HINGE GLCC - FEMALE   | I000535.ipt            | 1        |
| 5                | SCR1032X500FHBLK23 | H01-156      | 6   | SCREW, 10-32x1/2" PH FLAT TYPE 23 BLACK OXIDE/WAX RoHS            | SCR1032X500FHBLK23.ipt |          |



**SPECIAL NOTES:**  
 1. REFER TO PURCHASE ORDER - SPECIAL INSTRUCTIONS MAY APPLY.

**DETAIL A**

|   |   |  |  |
|---|---|--|--|
| INTERPRET DRAWING PER ASME Y14.5M-1994<br>DIMENSIONAL LIMITS APPLY<br>AFTER APPLICATION OF FINISH<br>DRAWING NOT TO SCALE<br>TOLERANCE UNLESS OTHERWISE NOTED:<br>ANGULAR +/- 1°<br>.XXXX +/- .010<br>.XXX +/- .015<br>.XX +/- .030<br>.X FOR REF. ONLY | <b>NOTICE:</b><br>Use of this document is subject to a confidentiality and nondisclosure agreement with Great Lakes Case & Cabinet Co., Inc. (GLCC) and may not be reproduced, disclosed or utilized in whole or in part without prior written authorization from GLCC. | PART NUMBER:<br><b>7802EM24X200</b>                            | TITLE:<br><b>INTEGRAL MESH ENHANCED DOOR, 78" x 24"W 'E' - ASSEMBLY</b>  |
|   |   | QTY PER UNIT:<br>1   | <b>GREAT LAKES CASE &amp; CABINET CO., INC.</b><br>P.O. BOX 551 EDINBORO, PA 16412<br>PHONE (814) 734-7303 FAX (814) 734-3907<br>E-MAIL glcc@greatcabinets.com |
|   |   | MATERIAL TYPE:<br>CRS<br>MATERIAL GAUGE:<br>FINISH: POWDERCOAT |  |
| THIRD ANGLE PROJECTION  | UNLESS OTHERWISE SPECIFIED<br>ALL DIMENSIONS ARE IN INCHES  | DRAWN: FED<br>CHECKED & APP. WSS<br>DATE: 5/18/2010            | DWG NO:<br><b>1011896</b><br>REV:<br><b>9</b><br>SHEET: 1 OF 1   |