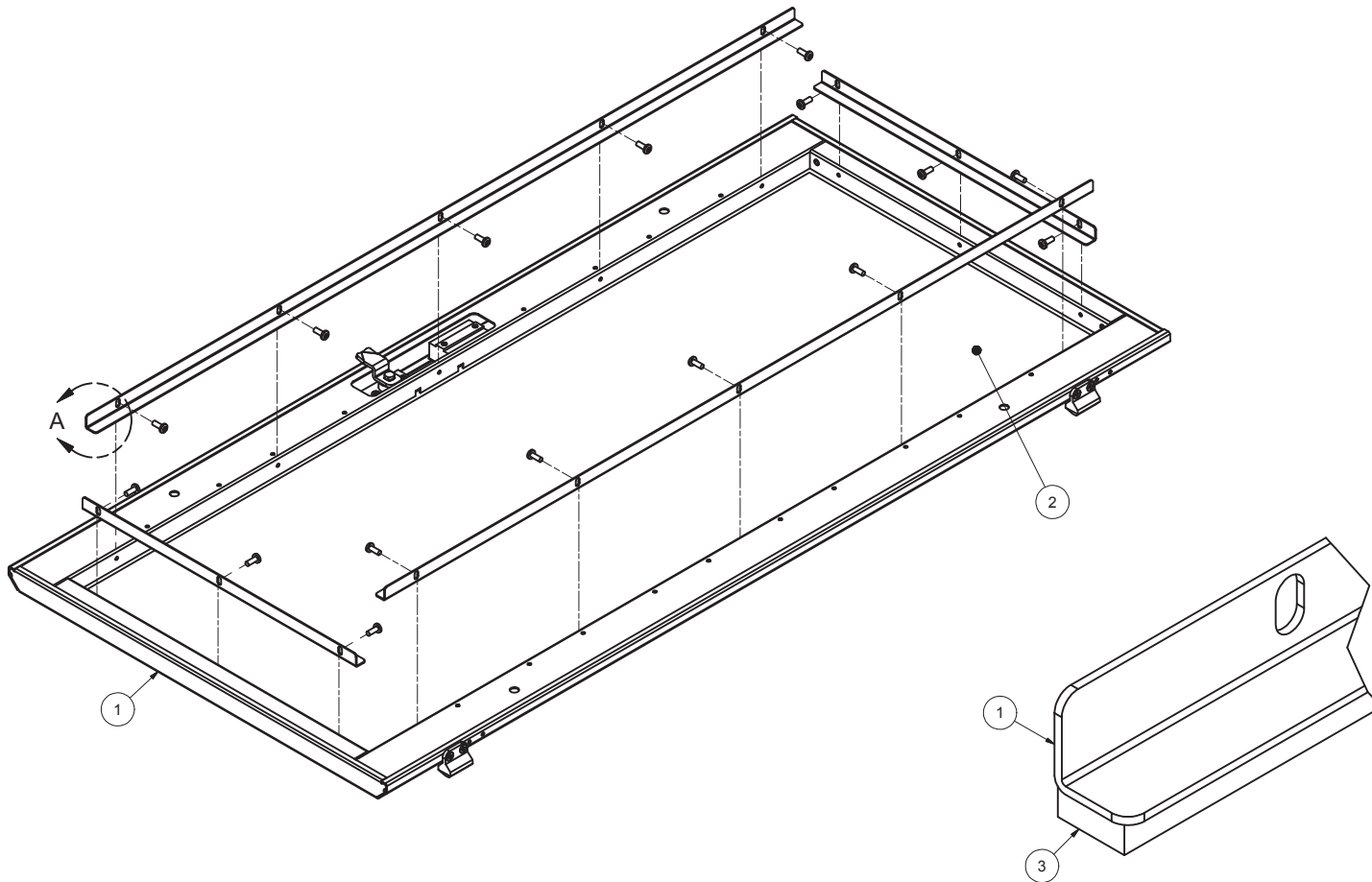


6 5 4 3 2 1

REVISION HISTORY			
REV	DESCRIPTION	DATE	APPROVED
0	ECO-01993	7/13/2007	WSS
1	ECO-02938	8/4/2020	WSS



Bill of Material					
ITEM	PART NUMBER	QTY	DESCRIPTION	FILE NAME	REVISION
1	4802EMC24X100	1	48"H x 24"W ENHANCED CONTOUR MESH DOOR VENDOR ASSEMBLY	I005801.iam	1
2	MESH480EMC24x100	1	48"H x 24"W MESH PANEL, E CONTOUR DOOR	I005807.ipt	0
3	GASKET1/2	1	1/2 x 1/8"THK NEOPRENE GASKET W/ PSA	-	-



DETAIL A

INTERPRET DRAWING PER ASME Y14.5M-1994
DIMENSIONAL LIMITS APPLY AFTER APPLICATION OF FINISH
DRAWING NOT TO SCALE
TOLERANCE UNLESS OTHERWISE NOTED:
ANGULAR +/- 1
.XXXX +/- .010
.XXX +/- .015
.XX +/- .030
.X FOR REF. ONLY
UNLESS OTHERWISE SPECIFIED ALL DIMENSIONS ARE IN INCHES

**NOTICE:**  
 Use of this document is subject to a confidentiality and nondisclosure agreement with Great Lakes Case & Cabinet Co., Inc. (GLCC) and may not be reproduced, disclosed or utilized in whole or in part without prior written authorization from GLCC.

PART NUMBER:	4802EMC24
QTY PER UNIT:	1
MATERIAL TYPE:	-
MATERIAL GAUGE:	#16 GA
FINISH:	-
DRAWN	DATE
JAL	7/12/2007
CHECKED & APP.	DATE
WSS	7/31/0

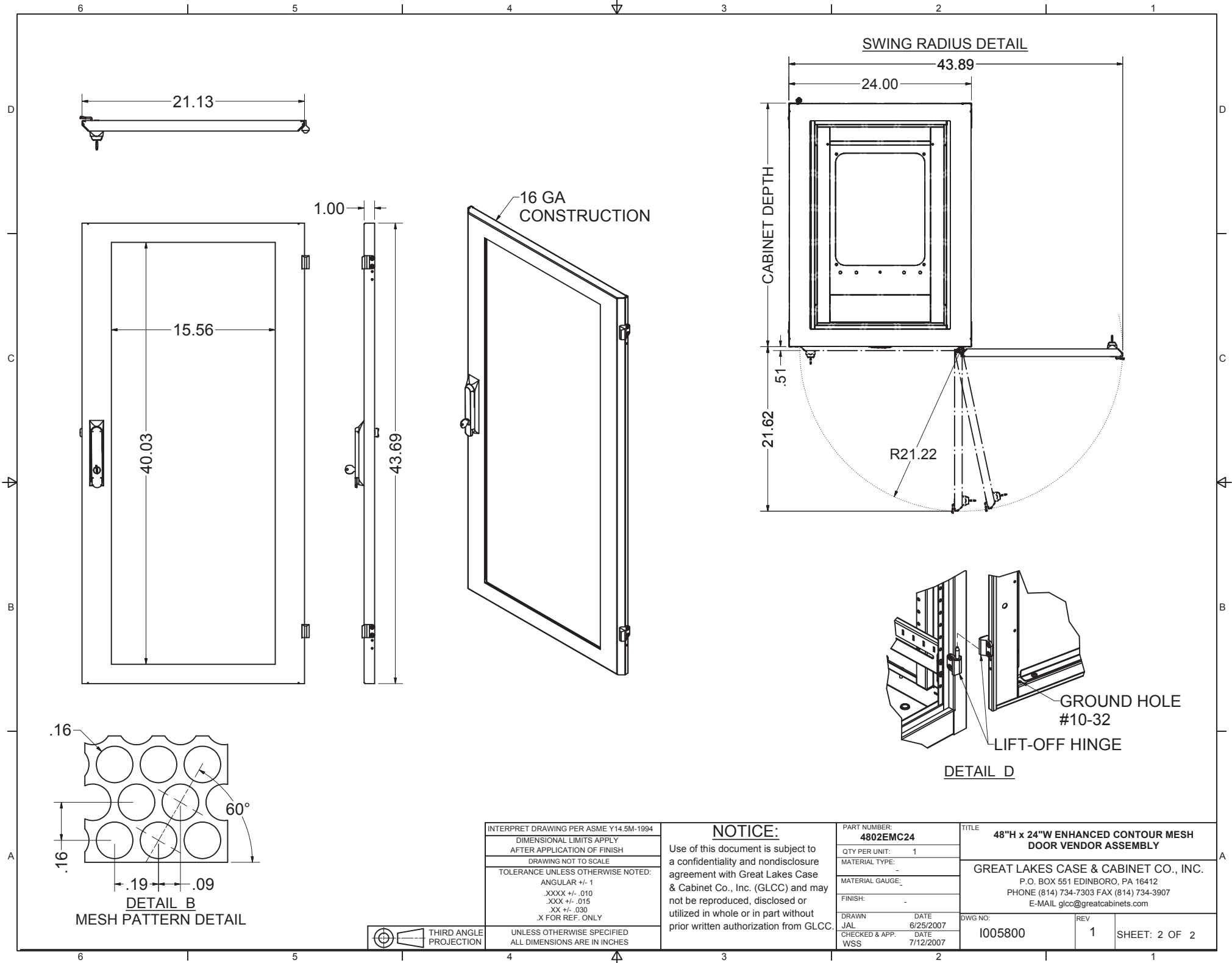
TITLE	48"H x 24"W ENHANCED CONTOUR MESH DOOR ASSEMBLY		
GREAT LAKES CASE & CABINET CO., INC.			
P.O. BOX 551 EDINBORO, PA 16412			
PHONE (814) 734-7303 FAX (814) 734-3907			
E-MAIL glcc@greatcabinets.com			
DWG NO:	REV	SHEET: 1 OF 2	
I005800	1		



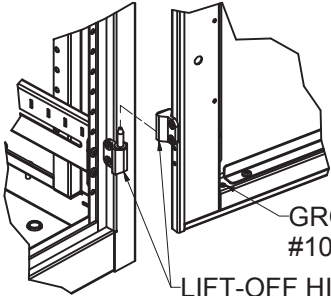
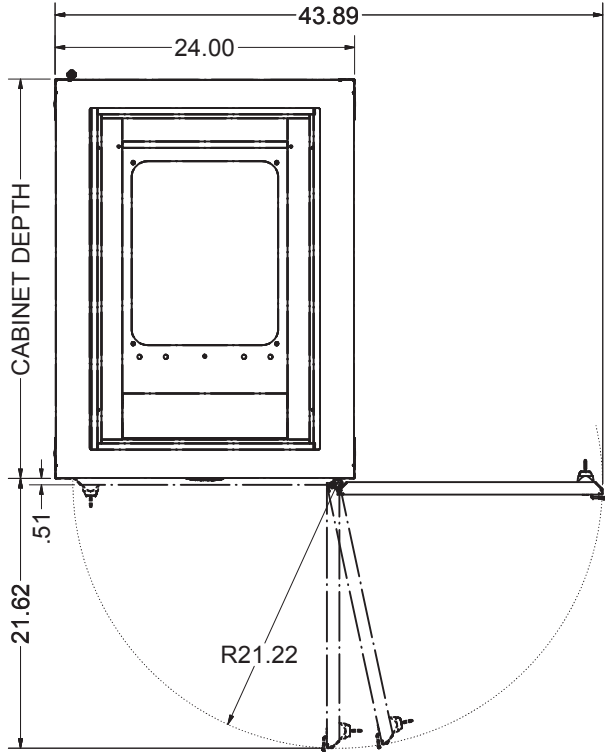
D  
C  
B  
A

D  
C  
B  
A

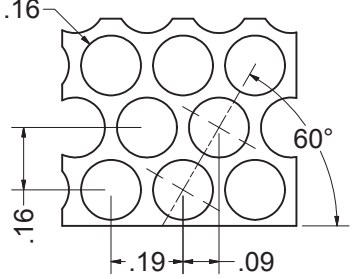
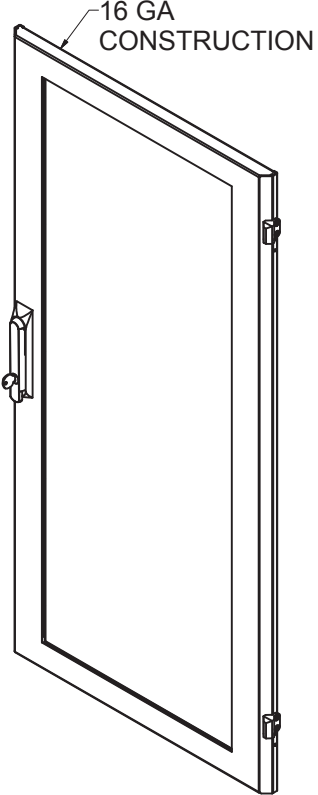
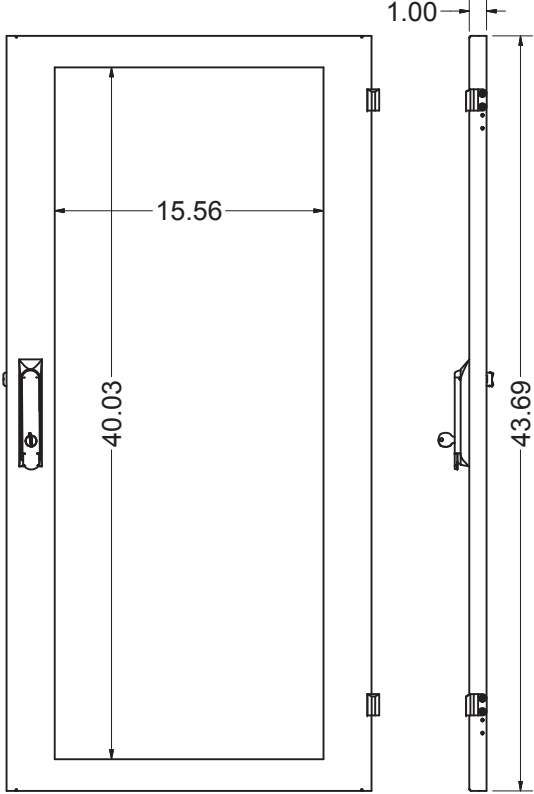
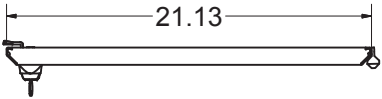
6 5 4 3 2 1



**SWING RADIUS DETAIL**



**DETAIL D**



**DETAIL B  
MESH PATTERN DETAIL**

INTERPRET DRAWING PER ASME Y14.5M-1994
DIMENSIONAL LIMITS APPLY AFTER APPLICATION OF FINISH
DRAWING NOT TO SCALE
TOLERANCE UNLESS OTHERWISE NOTED:
ANGULAR +/- 1
.XXXX +/- .010
.XXX +/- .015
.XX +/- .030
.X FOR REF. ONLY

**NOTICE:**  
Use of this document is subject to a confidentiality and nondisclosure agreement with Great Lakes Case & Cabinet Co., Inc. (GLCC) and may not be reproduced, disclosed or utilized in whole or in part without prior written authorization from GLCC.

PART NUMBER:	<b>4802EMC24</b>
QTY PER UNIT:	1
MATERIAL TYPE:	-
MATERIAL GAUGE:	-
FINISH:	-
DRAWN	DATE
JAL	6/25/2007
CHECKED & APP.	DATE
WSS	7/12/2007

TITLE	<b>48"H x 24"W ENHANCED CONTOUR MESH DOOR VENDOR ASSEMBLY</b>	
	GREAT LAKES CASE & CABINET CO., INC.	
	P.O. BOX 551 EDINBORO, PA 16412	
	PHONE (814) 734-7303 FAX (814) 734-3907	
	E-MAIL glcc@greatcabinets.com	

DWG NO:	REV	SHEET
1005800	1	2 OF 2



UNLESS OTHERWISE SPECIFIED ALL DIMENSIONS ARE IN INCHES