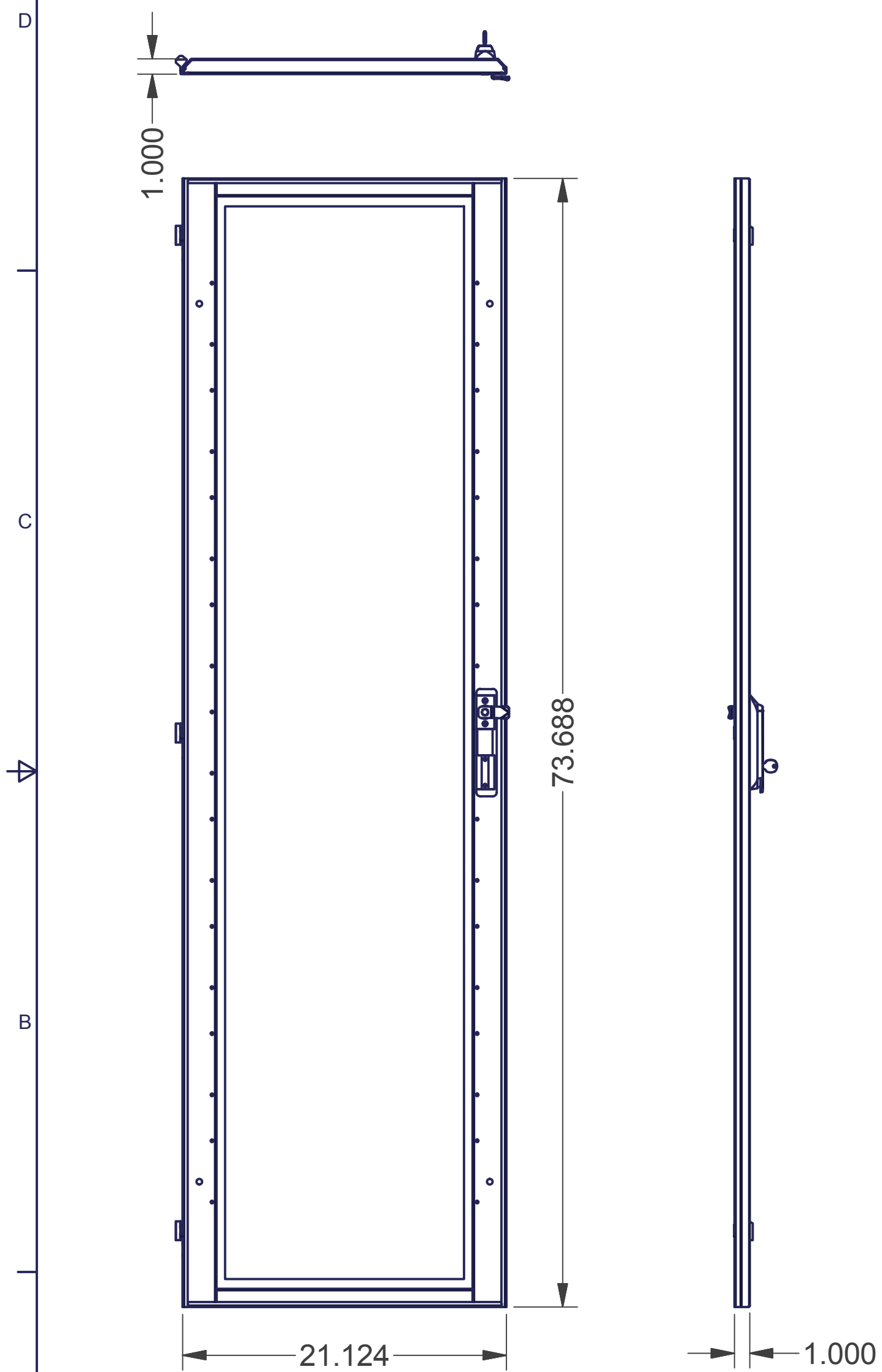
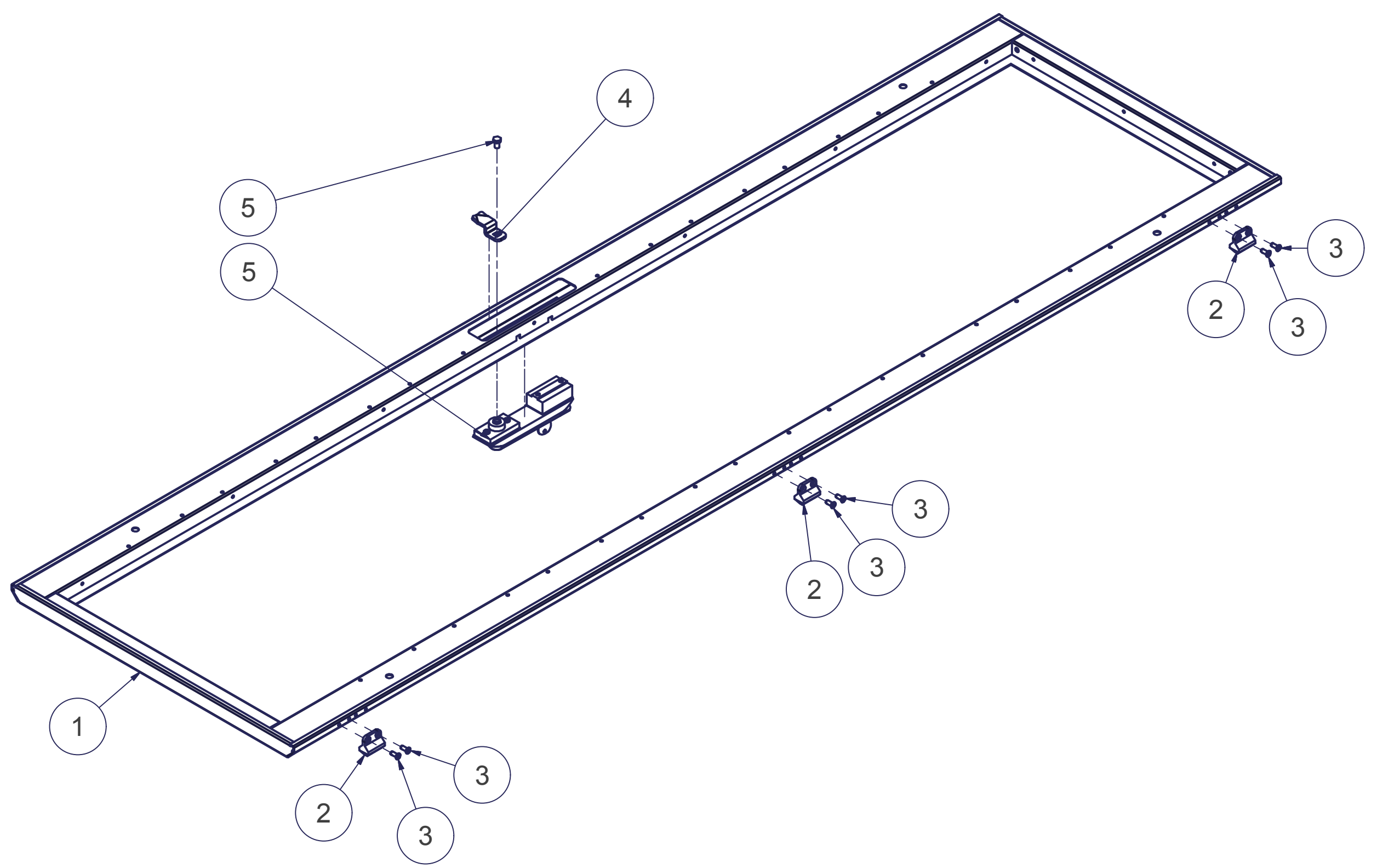


REVISION HISTORY			
REV	DESCRIPTION	DATE	APPROVED
3	ECO-01993	7/31/2007	WSS
1	ECO-02145	1/29/2008	JL
2	ECO-02938	8/4/2010	WSS
3	ECO-03026	10/15/2010	FED

Bill of Material					
ITEM	PART NUMBER	QTY	DESCRIPTION	FILE NAME	REV
1		1	78"H x 24"W ENHANCED CONTOUR MESH DOOR WELDMENT	I005797.iam	2
2	HINGEF	3	HINGE GLCC - FEMALE	I000535.ipt	1
3	H01-156	6	#10-32 x 1/2"L FLAT HEAD PHIL SCREW, TYPE 23, RoHS BLACK ZINC	H01-156.ipt	-
4	CAMMC3100	1	CAM FOR LAKE EFFECT DOOR	I004106.ipt	3
5	XHGLCC	1	GLCC SWING HANDLE	XHGLCC NO CAM.iam	-



**SPECIAL NOTES:**  
 1. REFER TO PURCHASE ORDER - SPECIAL INSTRUCTIONS MAY APPLY.



INTERPRET DRAWING PER ASME Y14.5M-1994
DIMENSIONAL LIMITS APPLY AFTER APPLICATION OF FINISH
DRAWING NOT TO SCALE
TOLERANCE UNLESS OTHERWISE NOTED:
ANGULAR +/- 1°
.XXXX +/- .010
.XXX +/- .015
.XX +/- .030
.X FOR REF. ONLY
UNLESS OTHERWISE SPECIFIED ALL DIMENSIONS ARE IN INCHES

**NOTICE:**  
 Use of this document is subject to a confidentiality and nondisclosure agreement with Great Lakes Case & Cabinet Co., Inc. (GLCC) and may not be reproduced, disclosed or utilized in whole or in part without prior written authorization from GLCC.

PART NUMBER:	<b>7802EMC24X100</b>
QTY PER UNIT:	1
MATERIAL TYPE:	-
MATERIAL GAUGE:	-
FINISH:	-
DRAWN	DATE
JAL	6/25/2007
CHECKED & APP.	DATE
WSS	7/31/07

TITLE		<b>78"H x 24"W ENHANCED CONTOUR MESH DOOR VENDOR ASSEMBLY</b>	
GREAT LAKES CASE & CABINET CO., INC.			
P.O. BOX 551 EDINBORO, PA 16412			
PHONE (814) 734-7303 FAX (814) 734-3907			
E-MAIL glcc@greatcabinets.com			
DWG NO:	REV	SHEET: 1 OF 1	
<b>1005796</b>	<b>3</b>		

