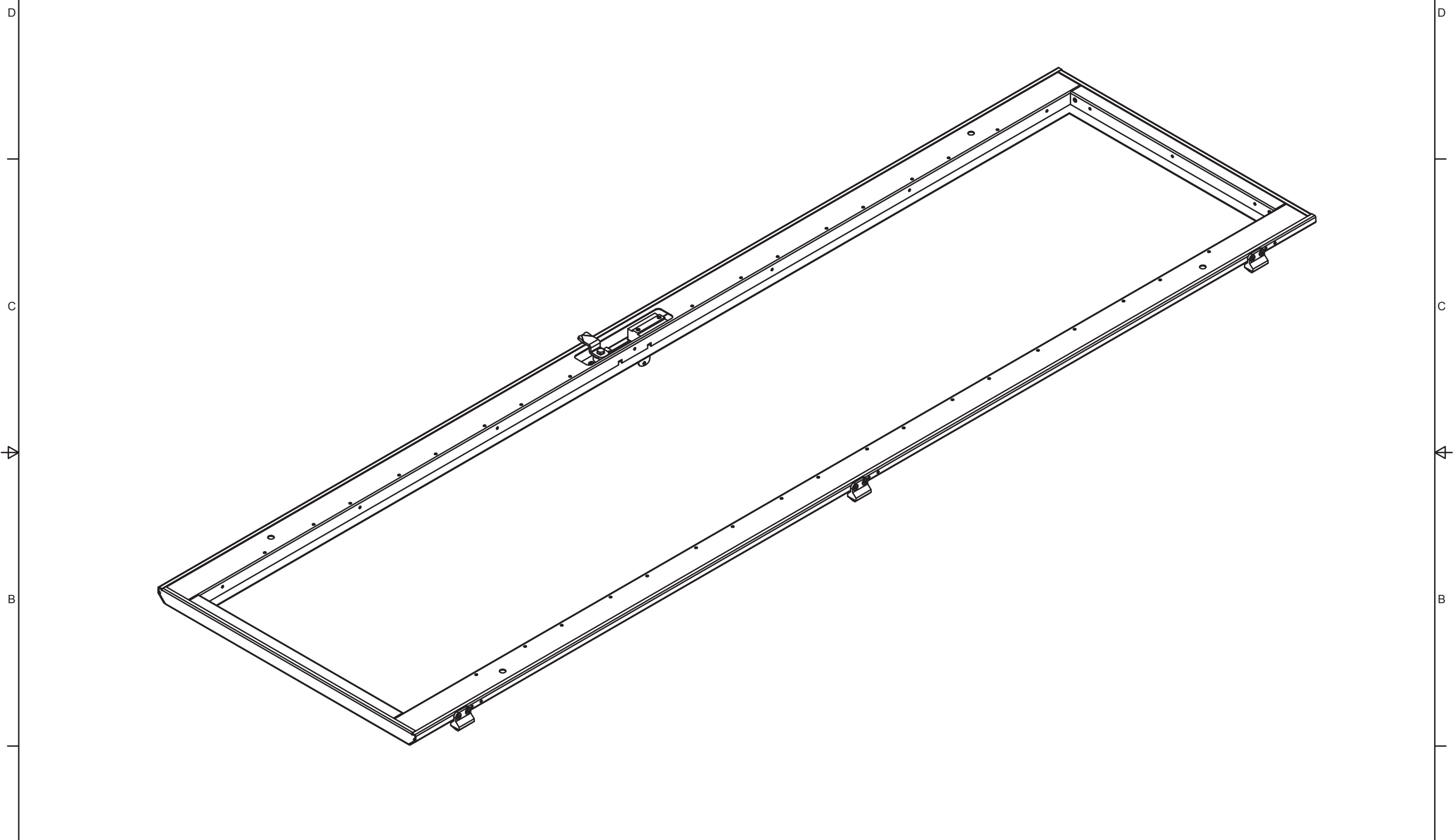


REVISION HISTORY			
REV	DESCRIPTION	DATE	APPROVED
0	ECO-01993	7/30/2007	DavidW
1	ECO-02145	1/29/2008	JL
2	ECO-02938	8/4/2010	WSS
3	ECO-03026	10/15/2010	FED

Bill of Material					
ITEM	PART NUMBER	QTY	DESCRIPTION	FILE NAME	REVISION
1	7802EMC24X100	1	78"H x 24"W ENHANCED CONTOUR MESH DOOR VENDOR ASSEMBLY	I005796.iam	3



INTERPRET DRAWING PER ASME Y14.5M-1994

DIMENSIONAL LIMITS APPLY  
AFTER APPLICATION OF FINISH

DRAWING NOT TO SCALE

TOLERANCE UNLESS OTHERWISE NOTED:

ANGULAR +/- 1  
.XXXX +/- .010  
.XXX +/- .015  
.XX +/- .030  
.X FOR REF. ONLY

UNLESS OTHERWISE SPECIFIED  
ALL DIMENSIONS ARE IN INCHES

**NOTICE:**

Use of this document is subject to a confidentiality and nondisclosure agreement with Great Lakes Case & Cabinet Co., Inc. (GLCC) and may not be reproduced, disclosed or utilized in whole or in part without prior written authorization from GLCC.

PART NUMBER:  
**7802EMC24**

QTY PER UNIT: 1

MATERIAL TYPE: -

MATERIAL GAUGE:  
**#16 GA**

FINISH: -

DRAWN: JAL DATE: 6/25/2007

CHECKED & APP. DATE: WSS 7/30/07

TITLE  
**78"H x 24"W ENHANCED CONTOUR MESH DOOR ASSEMBLY**

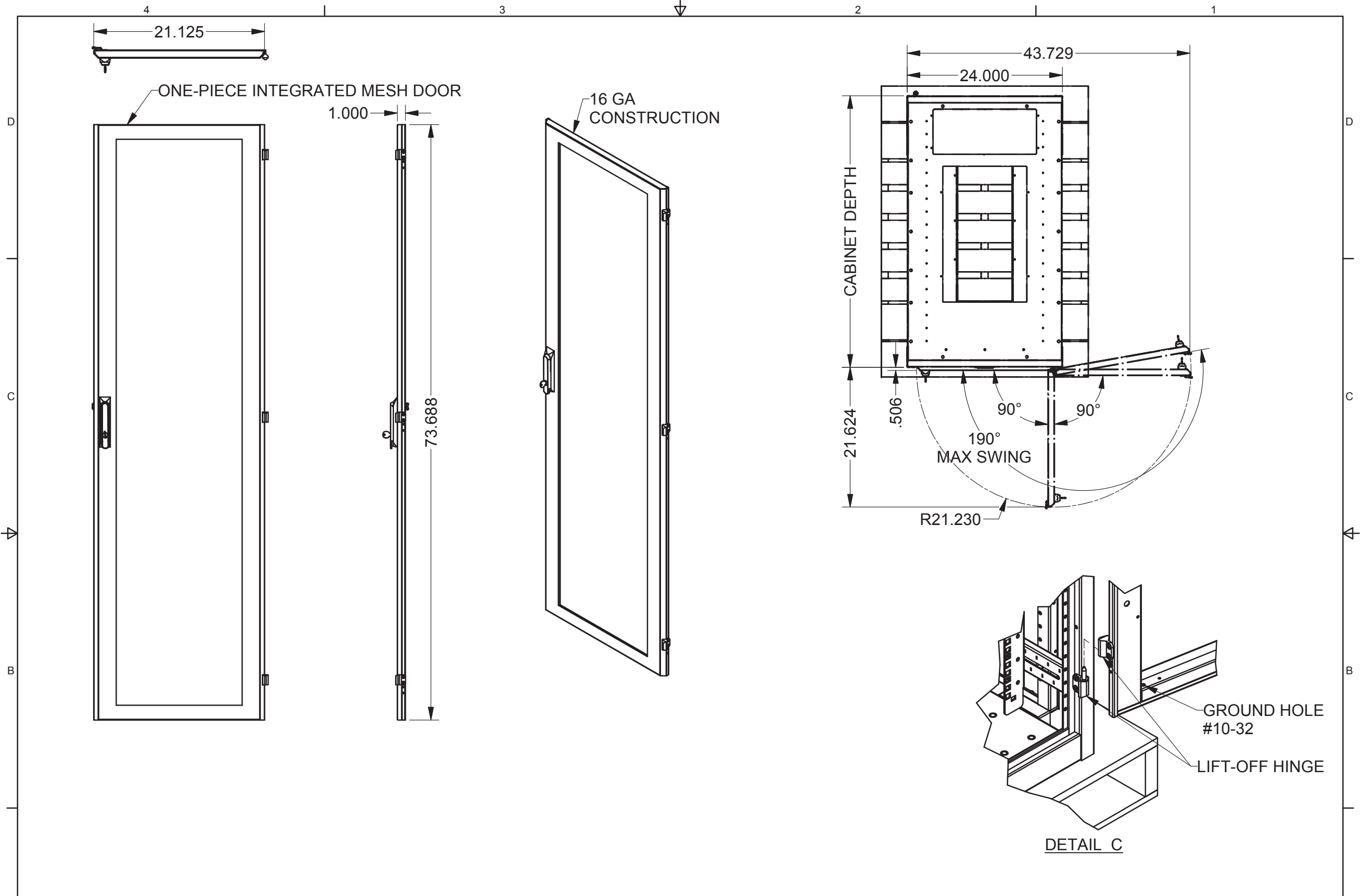
**GREAT LAKES CASE & CABINET CO., INC.**  
P.O. BOX 551 EDINBORO, PA 16412  
PHONE (814) 734-7303 FAX (814) 734-3907  
E-MAIL glcc@greatcabinets.com

DWG NO: **I005795**

REV: **3**

SHEET: 1 OF 2





INTERPRET DRAWING PER ASME Y14.5M-1994
DIMENSIONAL LIMITS APPLY AFTER APPLICATION OF FINISH
DRAWING NOT TO SCALE
TOLERANCE UNLESS OTHERWISE NOTED:
ANGULAR +/- 1
.XXXX +/- .010
.XXX +/- .015
.XX +/- .030
.X FOR REF. ONLY
UNLESS OTHERWISE SPECIFIED ALL DIMENSIONS ARE IN INCHES

**NOTICE:**  
 Use of this document is subject to a confidentiality and nondisclosure agreement with Great Lakes Case & Cabinet Co., Inc. (GLCC) and may not be reproduced, disclosed or utilized in whole or in part without prior written authorization from GLCC.

PART NUMBER: <b>7802EMC24</b>
QTY PER UNIT: 1
MATERIAL TYPE: -
MATERIAL GAUGE: -
FINISH: -
DRAWN DATE JAL 6/25/2007
CHECKED & APP. DATE WSS 7/30/07

TITLE <b>78"H x 24"W ENHANCED CONTOUR MESH DOOR ASSEMBLY</b>	
GREAT LAKES CASE & CABINET CO., INC. P.O. BOX 551 EDINBORO, PA 16412 PHONE (814) 734-7303 FAX (814) 734-3907 E-MAIL glcc@greatcabinets.com	
DWG NO: <b>1005795</b>	REV <b>3</b>
SHEET: 2 OF 2	

