

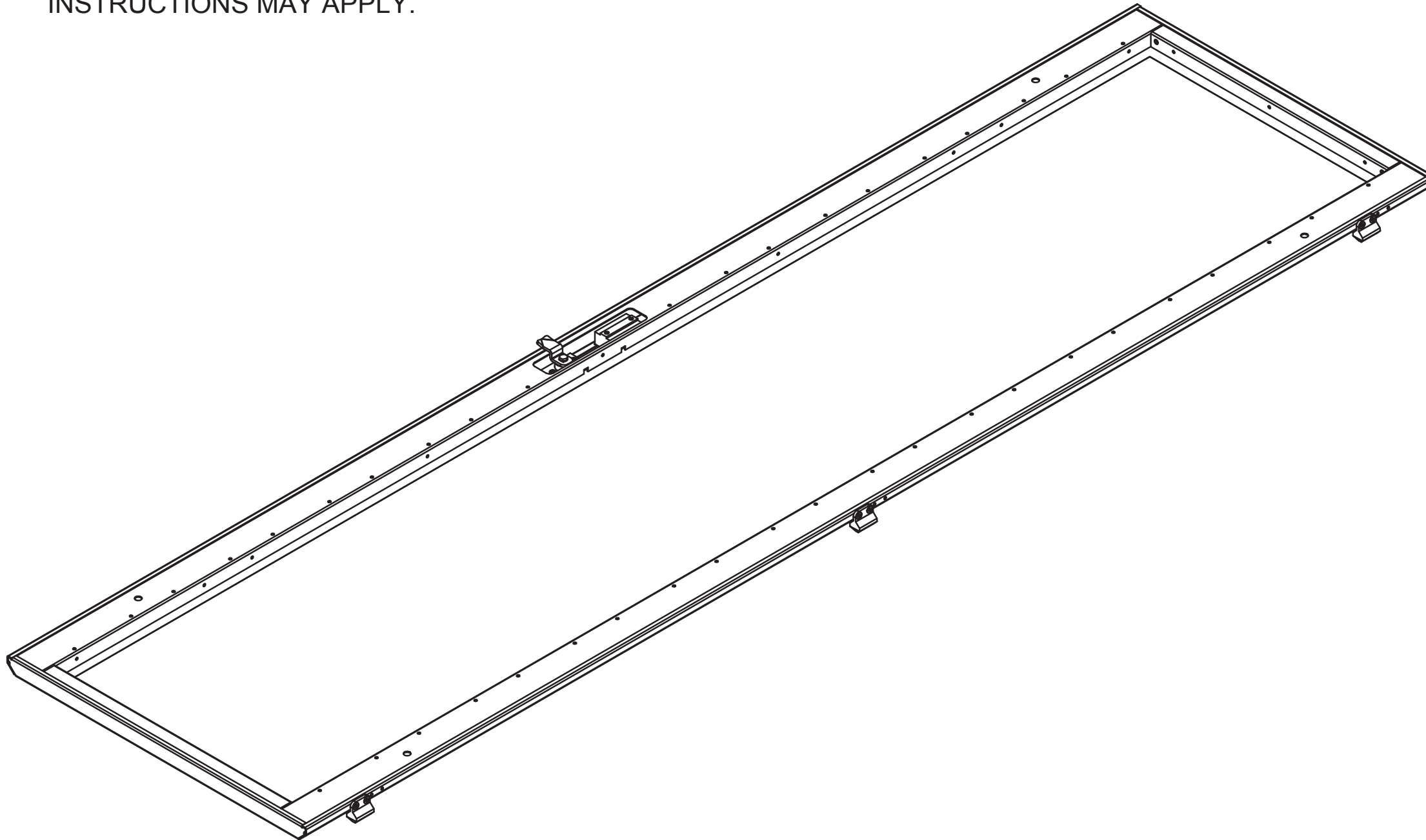
| REVISION HISTORY | | | |
|------------------|-------------|------------|----------|
| REV | DESCRIPTION | DATE | APPROVED |
| 0 | ECO-01976 | 7/10/2007 | WSS |
| 1 | ECO-02145 | 1/30/2008 | JL |
| 2 | ECO-02938 | 8/4/2010 | WSS |
| 3 | ECO-03026 | 10/15/2010 | FED |



| Bill of Material | | | | | |
|------------------|---------------|-----|--|-------------|----------|
| ITEM | PART NUMBER | QTY | DESCRIPTION | FILE NAME | REVISION |
| 1 | 8402EMC24X100 | 1 | 84"H x 24"W ENHANCED CONTOUR MESH DOOR VENDOR ASSEMBLY | I005691.iam | 3 |

SPECIAL NOTES:

1. REFER TO PURCHASE ORDER - SPECIAL INSTRUCTIONS MAY APPLY.



| |
|--|
| INTERPRET DRAWING PER ASME Y14.5M-1994 |
| DIMENSIONAL LIMITS APPLY AFTER APPLICATION OF FINISH |
| DRAWING NOT TO SCALE |
| TOLERANCE UNLESS OTHERWISE NOTED: |
| ANGULAR +/- 1 |
| .XXXX +/- .010 |
| .XXX +/- .015 |
| .XX +/- .030 |
| .X FOR REF. ONLY |

NOTICE:
Use of this document is subject to a confidentiality and nondisclosure agreement with Great Lakes Case & Cabinet Co., Inc. (GLCC) and may not be reproduced, disclosed or utilized in whole or in part without prior written authorization from GLCC.

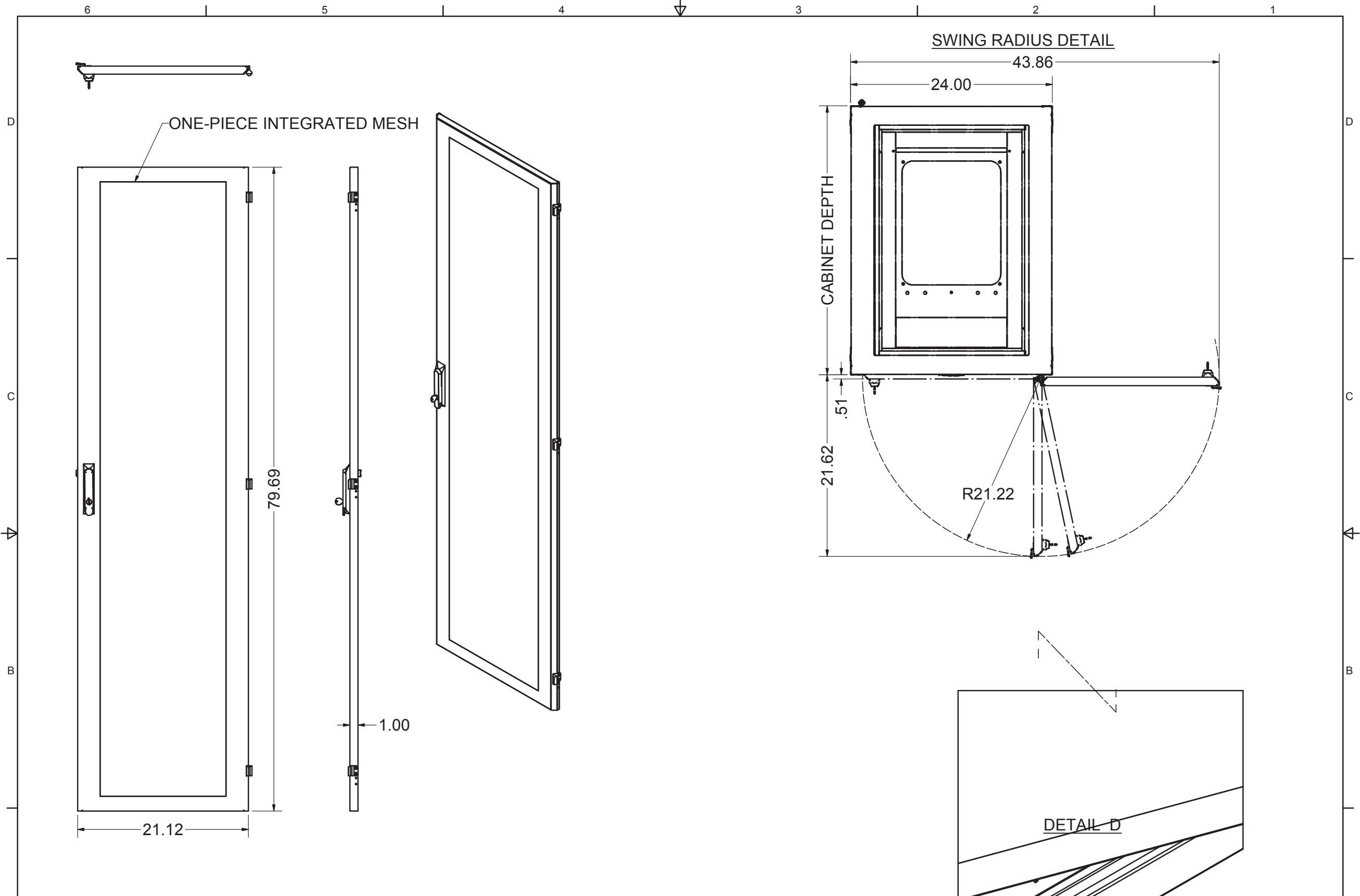
| | |
|-----------------|-----------|
| PART NUMBER: | 8402EMC24 |
| QTY PER UNIT: | 1 |
| MATERIAL TYPE: | - |
| MATERIAL GAUGE: | #16 GA |
| FINISH: | - |
| DRAWN | DATE |
| JAL | 7/9/2007 |
| CHECKED & APP. | DATE |
| WSS | 7/9/2007 |

| | | |
|---|---|-----|
| TITLE | 84"H x 24"W ENHANCED CONTOUR MESH DOOR ASSEMBLY | |
| GREAT LAKES CASE & CABINET CO., INC. | | |
| P.O. BOX 551 EDINBORO, PA 16412 | | |
| PHONE (814) 734-7303 FAX (814) 734-3907 | | |
| E-MAIL glcc@greatcabinets.com | | |
| DWG NO: | I005690 | REV |
| | | 3 |



THIRD ANGLE PROJECTION
UNLESS OTHERWISE SPECIFIED ALL DIMENSIONS ARE IN INCHES

SHEET: 1 OF 2



INTERPRET DRAWING PER ASME Y14.5M-1994

DIMENSIONAL LIMITS APPLY
AFTER APPLICATION OF FINISH

DRAWING NOT TO SCALE

TOLERANCE UNLESS OTHERWISE NOTED:

ANGULAR +/- 1
.XXXX +/- .010
.XXX +/- .015
.XX +/- .030
.X FOR REF. ONLY

UNLESS OTHERWISE SPECIFIED
ALL DIMENSIONS ARE IN INCHES

NOTICE:

Use of this document is subject to a confidentiality and nondisclosure agreement with Great Lakes Case & Cabinet Co., Inc. (GLCC) and may not be reproduced, disclosed or utilized in whole or in part without prior written authorization from GLCC.

PART NUMBER:
8402EMC24

QTY PER UNIT: 1

MATERIAL TYPE: -

MATERIAL GAUGE: -

FINISH: -

DRAWN DATE: JAL 7/9/2007

CHECKED & APP. DATE: WSS 7/10/2007

TITLE
84"H x 24"W ENHANCED CONTOUR MESH DOOR ASSEMBLY

GREAT LAKES CASE & CABINET CO., INC.
P.O. BOX 551 EDINBORO, PA 16412
PHONE (814) 734-7303 FAX (814) 734-3907
E-MAIL glcc@greatcabinets.com

DWG NO: **I005690**

REV **3**

SHEET: 2 OF 2

