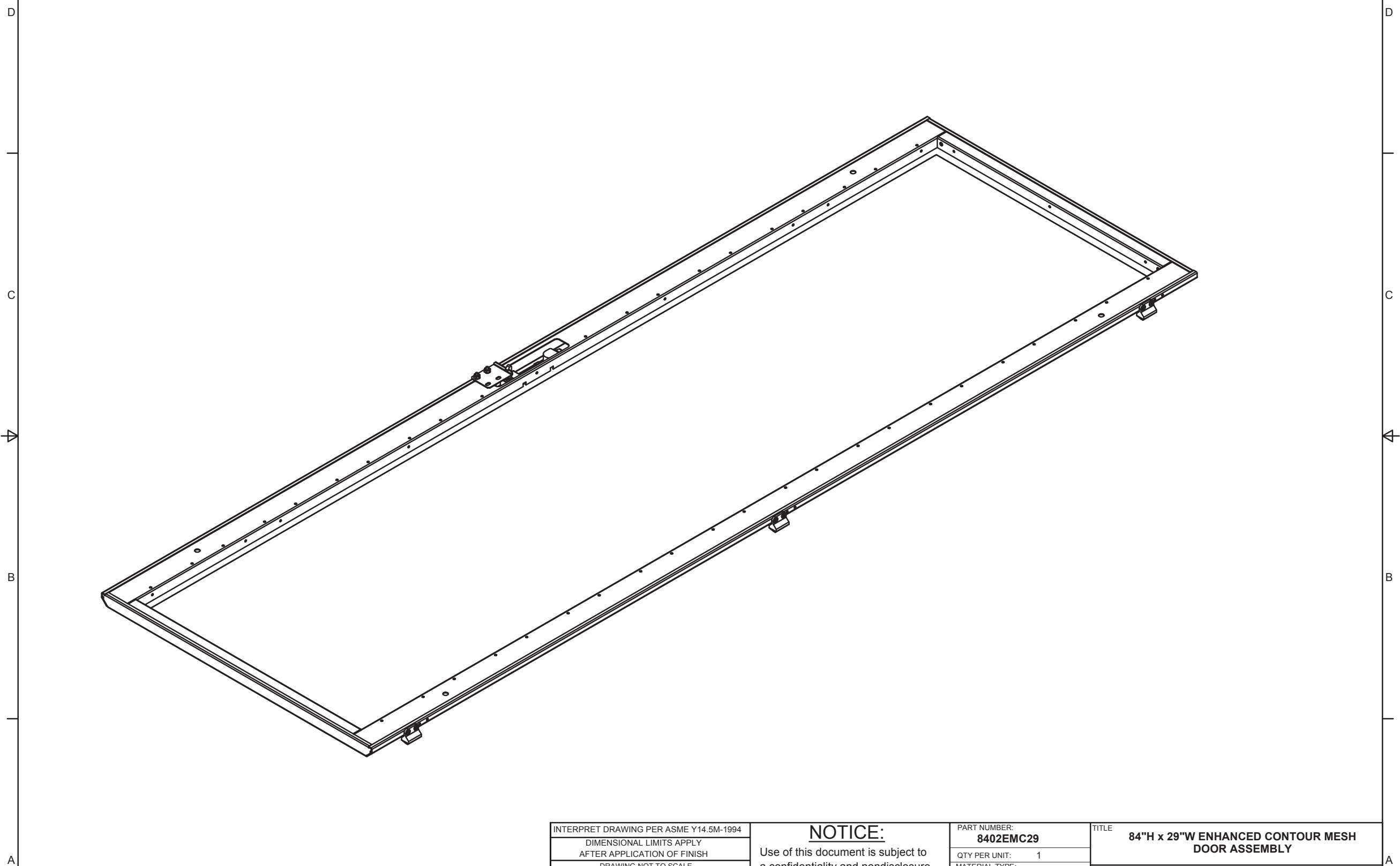


REVISION HISTORY			
REV	DESCRIPTION	DATE	APPROVED
0	ECO-01976	7/10/2007	WSS
1	ECO-02145	1/30/2008	JL
2	ECO-03026	10/15/2010	FED

Bill of Material					
ITEM	PART NUMBER	QTY	DESCRIPTION	FILE NAME	REV
1	8402EMC29X100	1	84"H x 29"W ENHANCED CONTOUR MESH DOOR VENDOR ASSEMBLY	I005681.iam	2



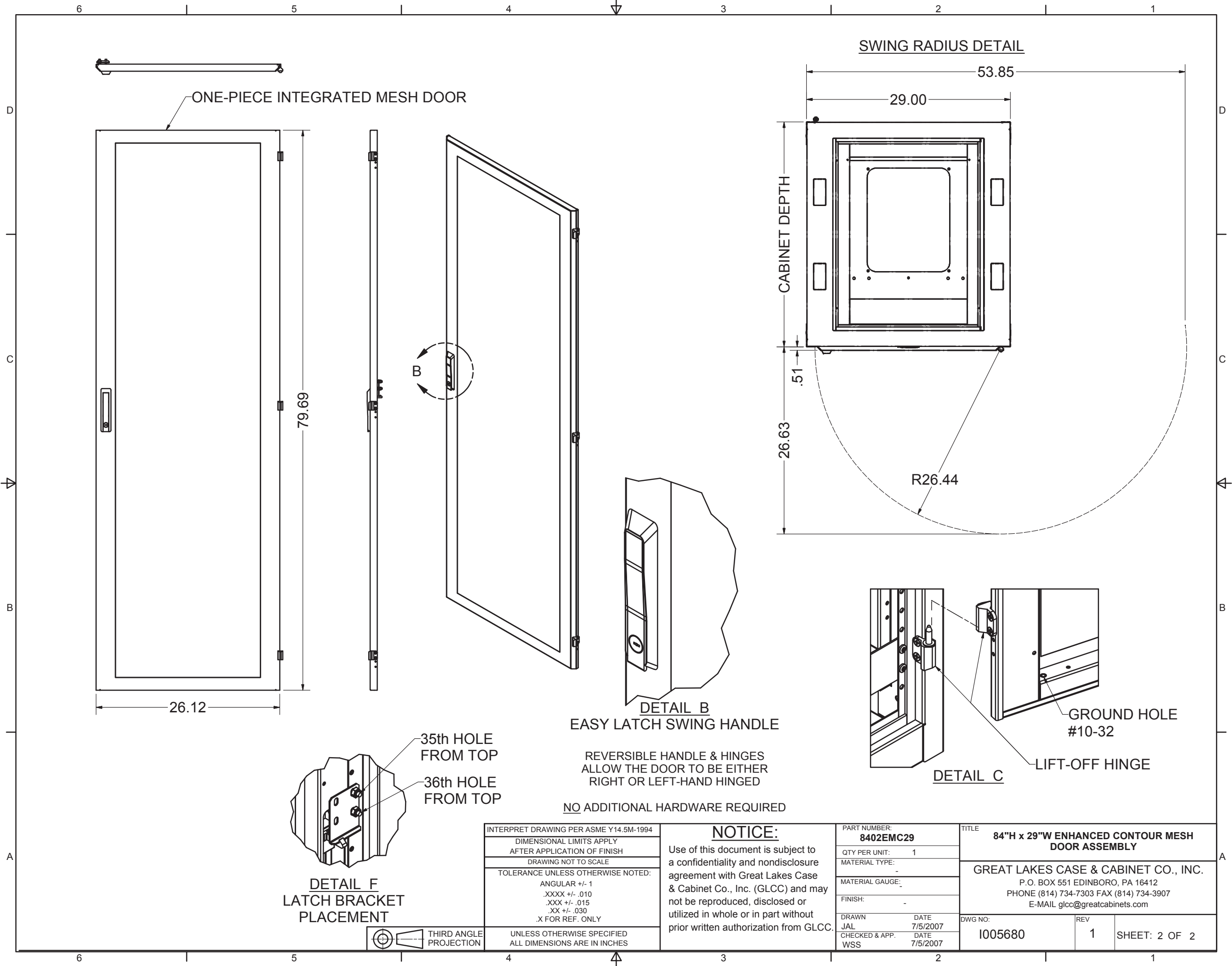
INTERPRET DRAWING PER ASME Y14.5M-1994
DIMENSIONAL LIMITS APPLY AFTER APPLICATION OF FINISH
DRAWING NOT TO SCALE
TOLERANCE UNLESS OTHERWISE NOTED:
ANGULAR +/- 1
.XXXX +/- .010
.XXX +/- .015
.XX +/- .030
.X FOR REF. ONLY
UNLESS OTHERWISE SPECIFIED ALL DIMENSIONS ARE IN INCHES

NOTICE:
Use of this document is subject to a confidentiality and nondisclosure agreement with Great Lakes Case & Cabinet Co., Inc. (GLCC) and may not be reproduced, disclosed or utilized in whole or in part without prior written authorization from GLCC.

PART NUMBER: 8402EMC29
QTY PER UNIT: 1
MATERIAL TYPE: -
MATERIAL GAUGE: -
FINISH: -
DRAWN: JAL DATE: 6/25/2007
CHECKED & APP. DATE: WSS 7/5/2007

TITLE 84"H x 29"W ENHANCED CONTOUR MESH DOOR ASSEMBLY
GREAT LAKES CASE & CABINET CO., INC. P.O. BOX 551 EDINBORO, PA 16412 PHONE (814) 734-7303 FAX (814) 734-3907 E-MAIL glcc@greatcabinets.com
DWG NO: I005680
REV: 2
SHEET: 1 OF 2





INTERPRET DRAWING PER ASME Y14.5M-1994
DIMENSIONAL LIMITS APPLY AFTER APPLICATION OF FINISH
DRAWING NOT TO SCALE
TOLERANCE UNLESS OTHERWISE NOTED:
ANGULAR +/- 1
.XXXX +/- .010
.XXX +/- .015
.XX +/- .030
.X FOR REF. ONLY
UNLESS OTHERWISE SPECIFIED ALL DIMENSIONS ARE IN INCHES

NOTICE:
 Use of this document is subject to a confidentiality and nondisclosure agreement with Great Lakes Case & Cabinet Co., Inc. (GLCC) and may not be reproduced, disclosed or utilized in whole or in part without prior written authorization from GLCC.

PART NUMBER: 8402EMC29
QTY PER UNIT: 1
MATERIAL TYPE:
MATERIAL GAUGE:
FINISH:
DRAWN DATE: 7/5/2007
CHECKED & APP. DATE: 7/5/2007
WSS

TITLE 84"H x 29"W ENHANCED CONTOUR MESH DOOR ASSEMBLY	
GREAT LAKES CASE & CABINET CO., INC. P.O. BOX 551 EDINBORO, PA 16412 PHONE (814) 734-7303 FAX (814) 734-3907 E-MAIL glcc@greatcabinets.com	
DWG NO: 1005680	REV 1
SHEET: 2 OF 2	