

16 GA CRS
CONSTRUCTION

SMOKED
PLEXIGLAS
OPENING

SWING HANDLE
w/ KEYED LOCK

OPTIONAL
HANDLES
AVAILABLE

CABINET DEPTH

213° MAX
SWING

#10-32 X 1/2" L
GROUND STUD

SEE DETAIL C

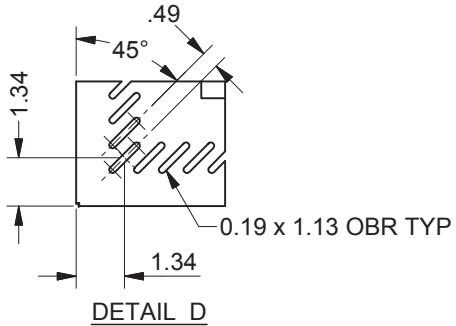
REVERSIBLE HANDLE & HINGES
ALLOW THE DOOR TO BE EITHER
RIGHT OR LEFT HAND HINGED.

(NO ADDITIONAL HARDWARE
REQUIRED)

DETAIL A
SWING HANDLE

DETAIL B
LIFT-OFF HINGES

DETAIL C
TYP HINGE SIDE
TOP & BOTTOM
(VIEW FROM REAR)



DETAIL D

INTERPRET DRAWING PER ASME Y14.5M-1994
DIMENSIONAL LIMITS APPLY AFTER APPLICATION OF FINISH
DRAWING NOT TO SCALE
TOLERANCE UNLESS OTHERWISE NOTED:
ANGULAR +/- 1
.XXX +/- .010
.XXX +/- .015
.XX +/- .030
.X FOR REF. ONLY



THIRD ANGLE
PROJECTION

UNLESS OTHERWISE SPECIFIED
ALL DIMENSIONS ARE IN INCHES

NOTICE:

Use of this document is subject to a confidentiality and nondisclosure agreement with Great Lakes Case & Cabinet Co., Inc. (GLCC) and may not be reproduced, disclosed or utilized in whole or in part without prior written authorization from GLCC.

PART NUMBER:	8402E24PV
QTY PER UNIT:	1
MATERIAL TYPE:	CRS
MATERIAL GAUGE:	#16 GA
FINISH:	POWDERCOAT
DRAWN	JAL
CHECKED & APP.	WSS
DATE	9/11/2003
DATE	4/28/2010

TITLE		PERIMETER VENTED PLEXI DOOR ASSEMBLY FOR 84H x 24W E	
GREAT LAKES CASE & CABINET CO., INC.			
P.O. BOX 551 EDINBORO, PA 16412			
PHONE (814) 734-7303 FAX (814) 734-3907			
E-MAIL glcc@greatcabinets.com			
DWG NO:	8402E-24PV	REV	0
			SHEET: 1 OF 1