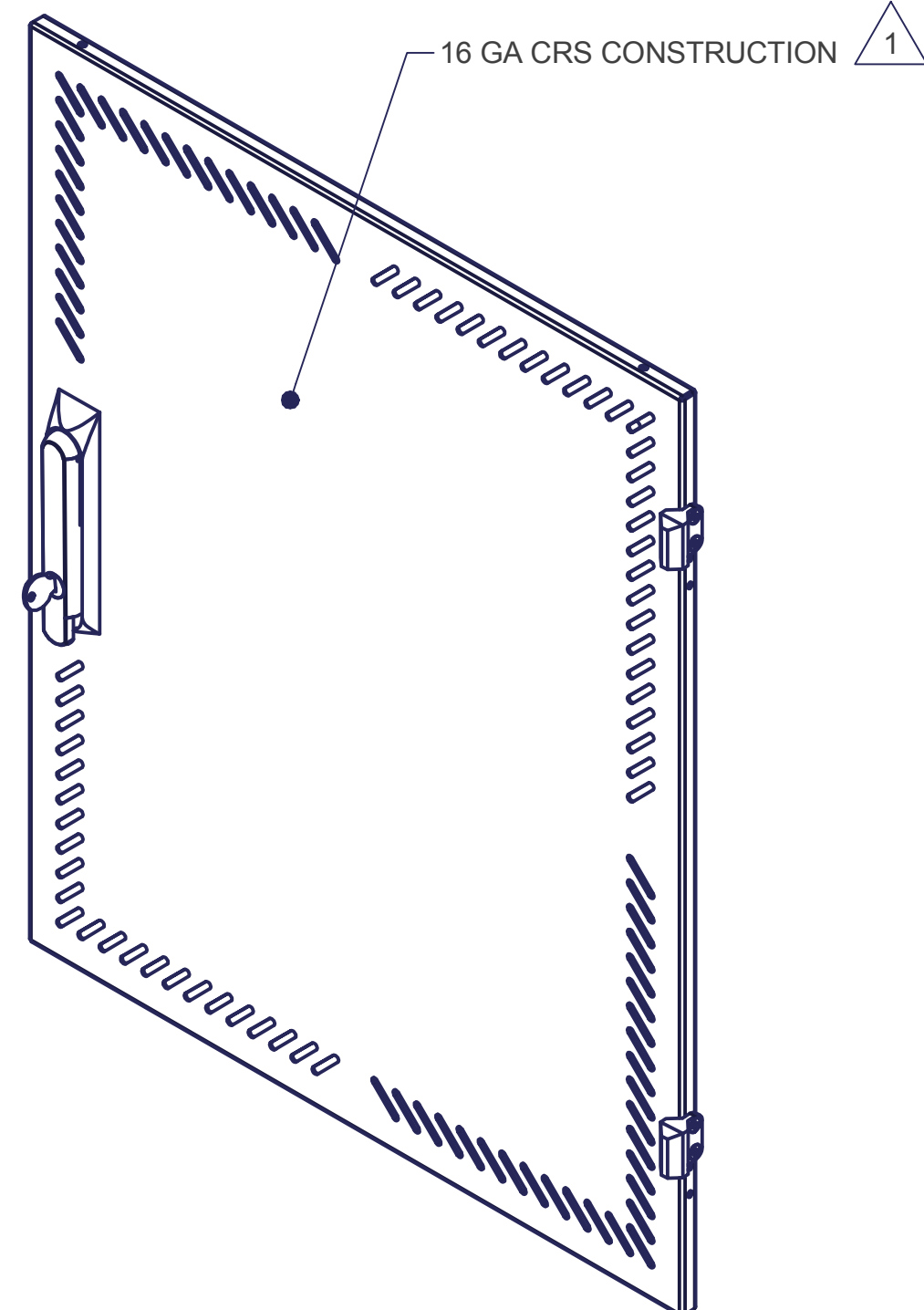


REVISION HISTORY			
REV	DESCRIPTION	DATE	APPROVED
0	ECO-01273	7/28/2003	WSS
1	ECO-03108	1/20/2011	FED

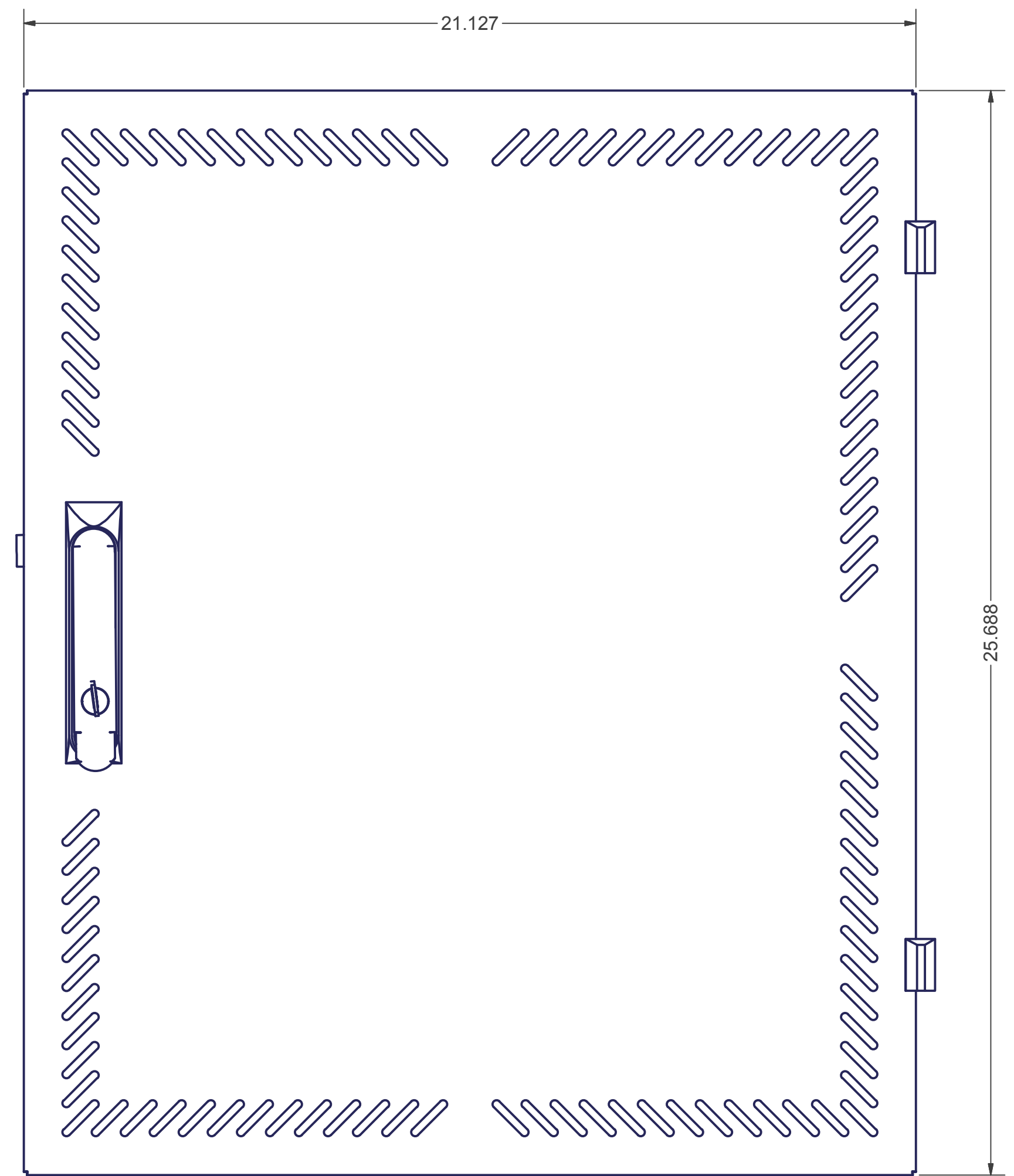
Bill of Material						
ITEM	PART NUMBER	STOCK NU	QTY	DESCRIPTION	FILE NAME	REVISION
1	-		1	PERIMETER VENTED DOOR FOR 30H x 24W ENHANCED	I001577.iam	0
2	XHGLCC	H19-067	1	GLCC SWING HANDLE	XHGLCC NO CAM.iam	-
3	AA57711001	H17-005	1	SINGLE POINT CAM FOR XHGLCC	AA5771100.ipt	-
4	HINGEF	H20-023	2	HINGE - FEMALE	I000535.ipt	0
5	SCR1032X3/8FHBLK23	H01-069	4	#10-32 x 3/8"L FLAT HEAD PHIL SCREW, BLACK TYPE 23	SCR1032X375FHBLK23.ipt	-



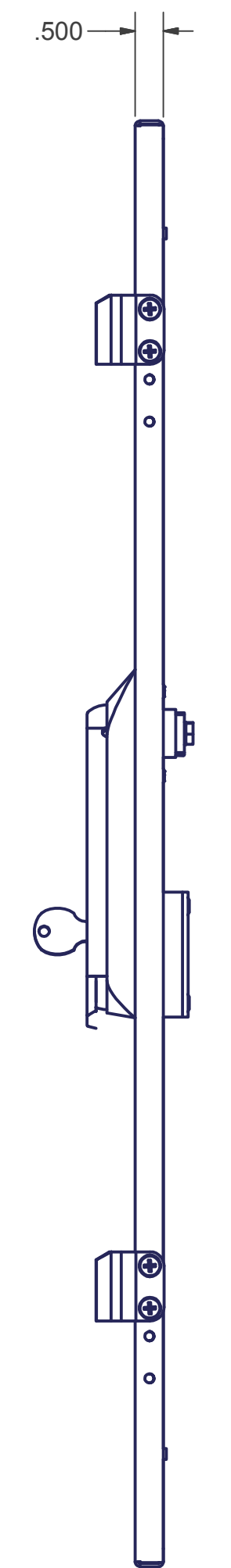
1 TOP VIEW



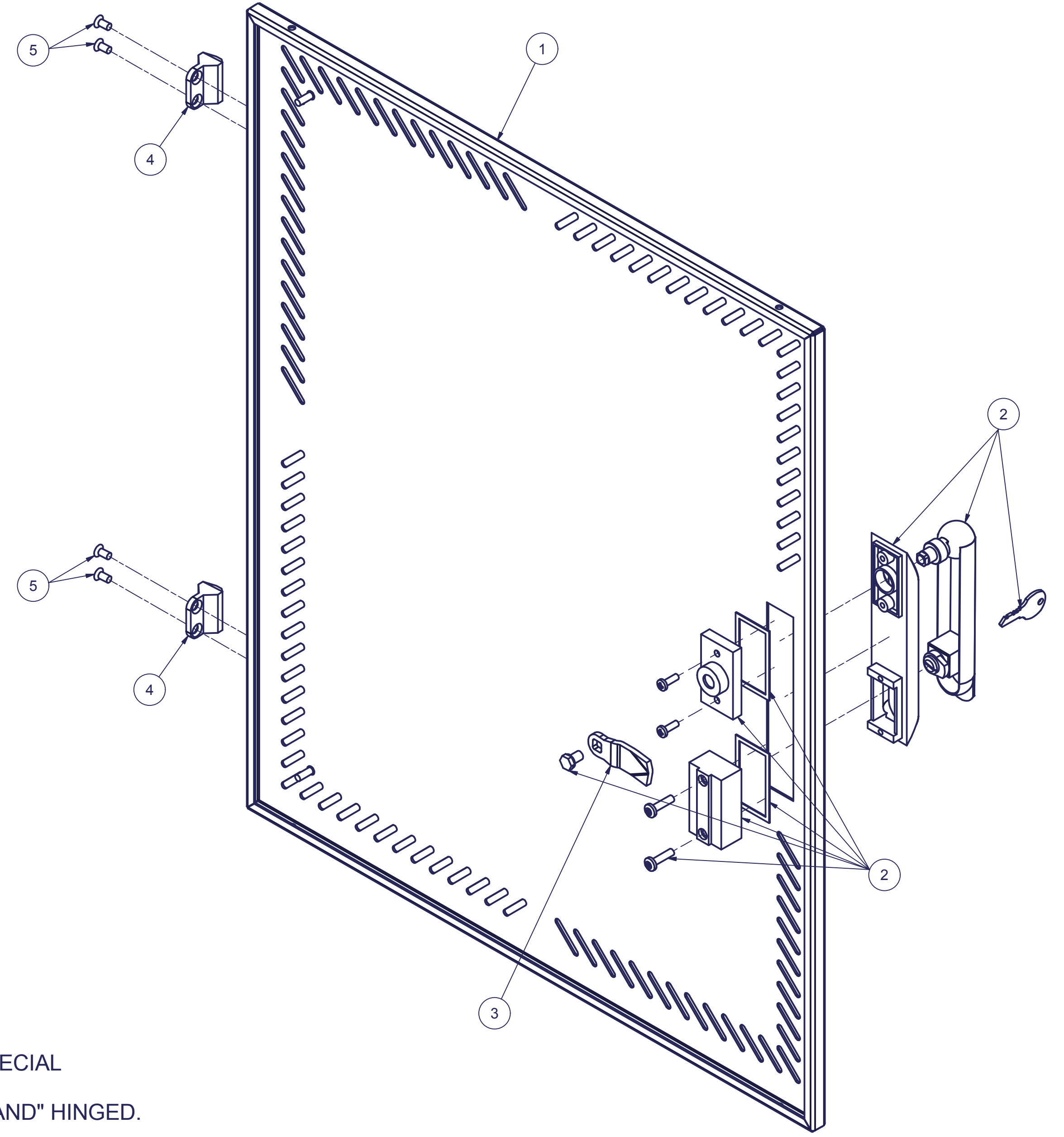
1 ISO FRONT VIEW



1 FRONT VIEW



1 SIDE VIEW



1 EXPLODED REAR VIEW

- SPECIAL NOTES:**
1. REFER TO PURCHASE ORDER - SPECIAL INSTRUCTIONS MAY APPLY.
 2. SHOWN ASSEMBLED AS "RIGHT-HAND" HINGED.

INTERPRET DRAWING PER ASME Y14.5M-1994
DIMENSIONAL LIMITS APPLY AFTER APPLICATION OF FINISH
DRAWING NOT TO SCALE
TOLERANCE UNLESS OTHERWISE NOTED:
ANGULAR +/- .1°
.XXXX +/- .010
.XXX +/- .015
.XX +/- .030
.X FOR REF. ONLY
UNLESS OTHERWISE SPECIFIED ALL DIMENSIONS ARE IN INCHES

NOTICE:
Use of this document is subject to a confidentiality and nondisclosure agreement with Great Lakes Case & Cabinet Co., Inc. (GLCC) and may not be reproduced, disclosed or utilized in whole or in part without prior written authorization from GLCC.

PART NUMBER: 3004E24X100
QTY PER UNIT: 1
MATERIAL TYPE:
MATERIAL GAUGE:
FINISH:
DRAWN DATE: 7/25/2003
CA
CHECKED & APP. DATE: 7-28-03
WSS

TITLE PERIMETER VENTED DOOR ASSEMBLY FOR 30H x 24W ENHANCED	
GREAT LAKES CASE & CABINET CO., INC. P.O. BOX 551 EDINBORO, PA 16412 PHONE (814) 734-7303 FAX (814) 734-3907 E-MAIL glcc@greatcabinets.com	
DWG NO: 1001576	REV 1
SHEET: 1 OF 1	



THIRD ANGLE PROJECTION