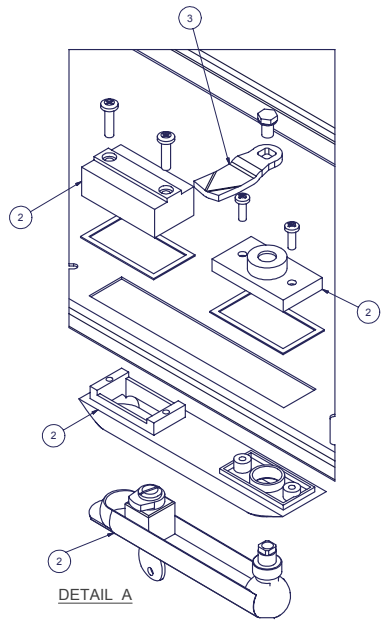
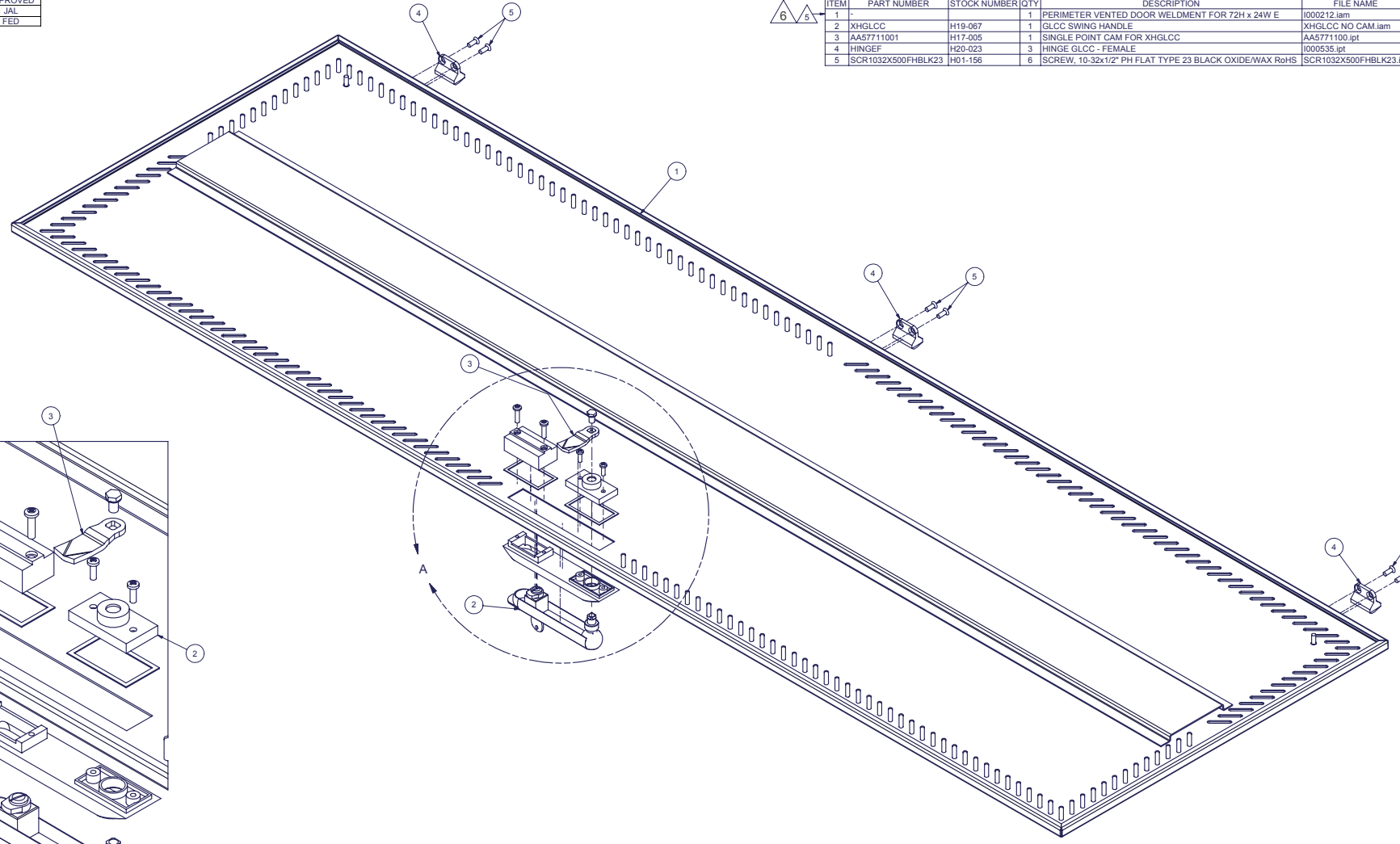


| REVISION HISTORY |             |          |          |
|------------------|-------------|----------|----------|
| REV              | DESCRIPTION | DATE     | APPROVED |
| 5                | ECO-01302   | 9/2/2003 | JAL      |
| 6                | ECO-02616   | 8/5/2009 | FED      |

| Bill of Material |                    |              |     |  |                        |          |
|------------------|--------------------|--------------|-----|--|------------------------|----------|
| ITEM             | PART NUMBER        | STOCK NUMBER | QTY | DESCRIPTION  | FILE NAME              | REVISION |
| 1                | -                  | -            | 1   | PERIMETER VENTED DOOR WELDMENT FOR 72H x 24W E         | I000212.lam            | 4        |
| 2                | XHGLCC             | H19-067      | 1   | GLCC SWING HANDLE                                      | XHGLCC NO CAM.lam      | -        |
| 3                | AA57711001         | H17-005      | 1   | SINGLE POINT CAM FOR XHGLCC                            | AA57711001.plt         | -        |
| 4                | HINSEF             | H20-023      | 3   | HINSE GLCC - FEMALE                                    | I000535.plt            | 0        |
| 5                | SCR1032X500FHBLK23 | H01-156      | 6   | SCREW, 10-32x1/2" PH FLAT TYPE 23 BLACK OXIDE/WAX RoHS | SCR1032X500FHBLK23.plt | -        |



DETAIL A

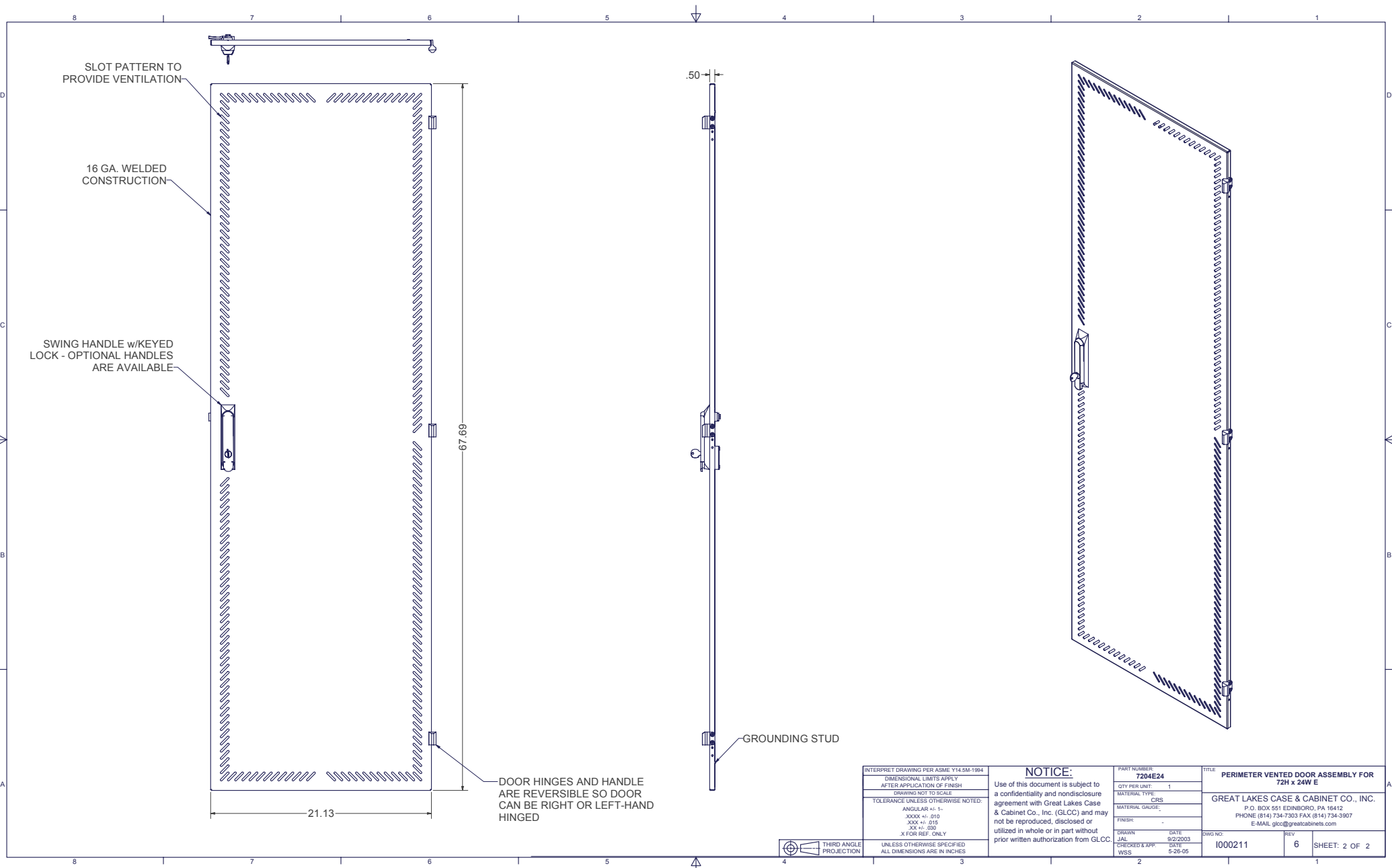
THIRD ANGLE PROJECTION

INTERPRET DRAWING PER ASME Y14.5M-1994  
 DIMENSIONAL LIMITS APPLY AFTER APPLICATION OF FINISH  
 DRAWING NOT TO SCALE  
 TOLERANCE UNLESS OTHERWISE NOTED:  
 ANGULAR +/- 1°  
 XXXX +/- .010  
 XXX +/- .015  
 XX +/- .030  
 X FOR REF. ONLY  
 UNLESS OTHERWISE SPECIFIED ALL DIMENSIONS ARE IN INCHES

**NOTICE:**  
 Use of this document is subject to a confidentiality and nondisclosure agreement with Great Lakes Case & Cabinet Co., Inc. (GLCC) and may not be reproduced, disclosed or utilized in whole or in part without prior written authorization from GLCC.

|                                  |   |
|----------------------------------|---|
| PART NUMBER:<br><b>7204E24</b>   | TITLE:<br><b>PERIMETER VENTED DOOR ASSEMBLY FOR 72H x 24W E</b> |
| QTY PER UNIT:<br>1               | MATERIAL TYPE:<br>CRS   |
| MATERIAL GRADE:<br><b>#16 GA</b> | FINISH:<br>-  |
| DRAWN:<br>JAL                    | DATE:<br>9/2/2003   |
| CHECKED & APP:<br>WSS            | DATE:<br>9/2/2003   |
| DWG NO:<br><b>I000211</b>        | REV:<br><b>6</b>  |
| SHEET: 1 OF 2                    |   |

GREAT LAKES CASE & CABINET CO., INC.  
 P.O. BOX 551 EDINBORO, PA 16412  
 PHONE: (814) 734-7303 FAX: (814) 734-3907  
 E-MAIL: glcc@greatscabinets.com



SLOT PATTERN TO PROVIDE VENTILATION

16 GA. WELDED CONSTRUCTION

SWING HANDLE w/KEYED LOCK - OPTIONAL HANDLES ARE AVAILABLE

67.69

21.13

0.50

GROUNDING STUD

DOOR HINGES AND HANDLE ARE REVERSIBLE SO DOOR CAN BE RIGHT OR LEFT-HAND HINGED

|   |  |
|---|--|
| INTERPRET DRAWING PER ASME Y14.5M-1994                  |  |
| DIMENSIONAL LIMITS APPLY AFTER APPLICATION OF FINISH    |  |
| DRAWING NOT TO SCALE                                    |  |
| TOLERANCE UNLESS OTHERWISE NOTED:                       |  |
| ANGULAR ± .1°   |  |
| XXX ± .010  |  |
| XXX ± .015  |  |
| XX ± .030   |  |
| X FOR REF. ONLY   |  |
| UNLESS OTHERWISE SPECIFIED ALL DIMENSIONS ARE IN INCHES |  |

**NOTICE:**  
Use of this document is subject to a confidentiality and nondisclosure agreement with Great Lakes Case & Cabinet Co., Inc. (GLCC) and may not be reproduced, disclosed or utilized in whole or in part without prior written authorization from GLCC.

|                |          |
|----------------|----------|
| PART NUMBER    | 7204E24  |
| QTY PER UNIT   | 1        |
| MATERIAL TYPE  | CRS      |
| MATERIAL GAUGE |          |
| FINISH         |          |
| DRAWN          | JAL      |
| CHECKED & APP. | WSS      |
| DATE           | 9/2/2003 |
| DATE           | 5-26-05  |

|   |         |  |   |
|---|---------|--|---|
| TITLE                                     |         | PERIMETER VENTED DOOR ASSEMBLY FOR 72H x 24W E |   |
| GREAT LAKES CASE & CABINET CO., INC.      |         |  |   |
| P.O. BOX 551 EDINBORO, PA 16412           |         |  |   |
| PHONE: (814) 734-7323 FAX: (814) 734-3907 |         |  |   |
| E-MAIL: glcc@greatscabinets.com           |         |  |   |
| DWG NO.                                   | 1000211 | REV  | 6 |
| SHEET: 2 OF 2                             |         |  |   |

