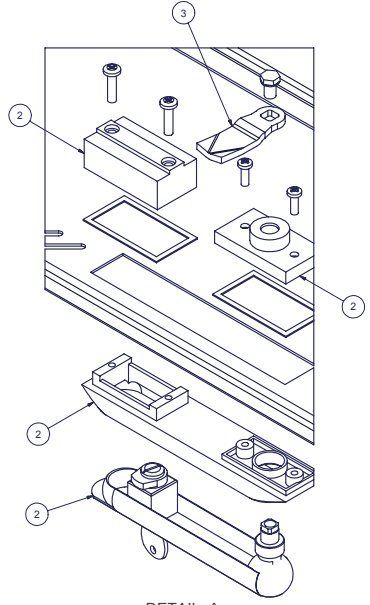
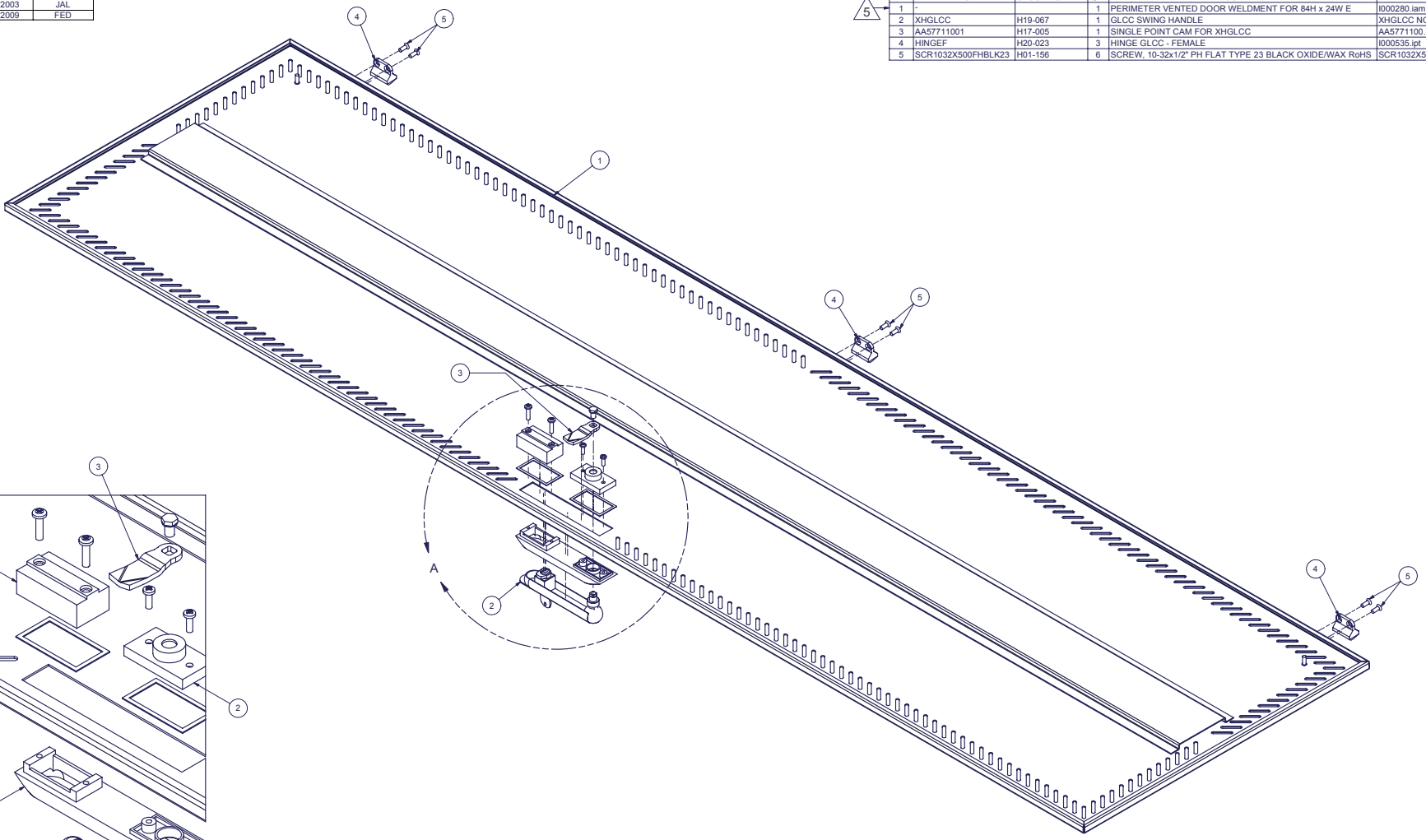


REVISION HISTORY			
REV	DESCRIPTION	DATE	APPROVED
4	ECO-01302	9/2/2003	JAL
5	ECO-02616	8/5/2009	FED

Bill of Material						
ITEM	PART NUMBER	STOCK NUMBER	QTY	DESCRIPTION	FILE NAME	REVISION
1	-	-	1	PERIMETER VENTED DOOR WELDMENT FOR 84H x 24W E	I000280.iam	5
2	XHGLCC	H19-067	1	GLCC SWING HANDLE	XHGLCC NO CAM.iam	-
3	AA57711001	H17-005	1	SINGLE POINT CAM FOR XHGLCC	AA5771100.ipt	-
4	HINGEF	H20-023	3	HINGE GLCC - FEMALE	I000535.ipt	0
5	SCR1032X500FHBLK23	H01-156	6	SCREW, 10-32x1/2" PH FLAT TYPE 23 BLACK OXIDE/WAX RoHS	SCR1032X500FHBLK23.ipt	-



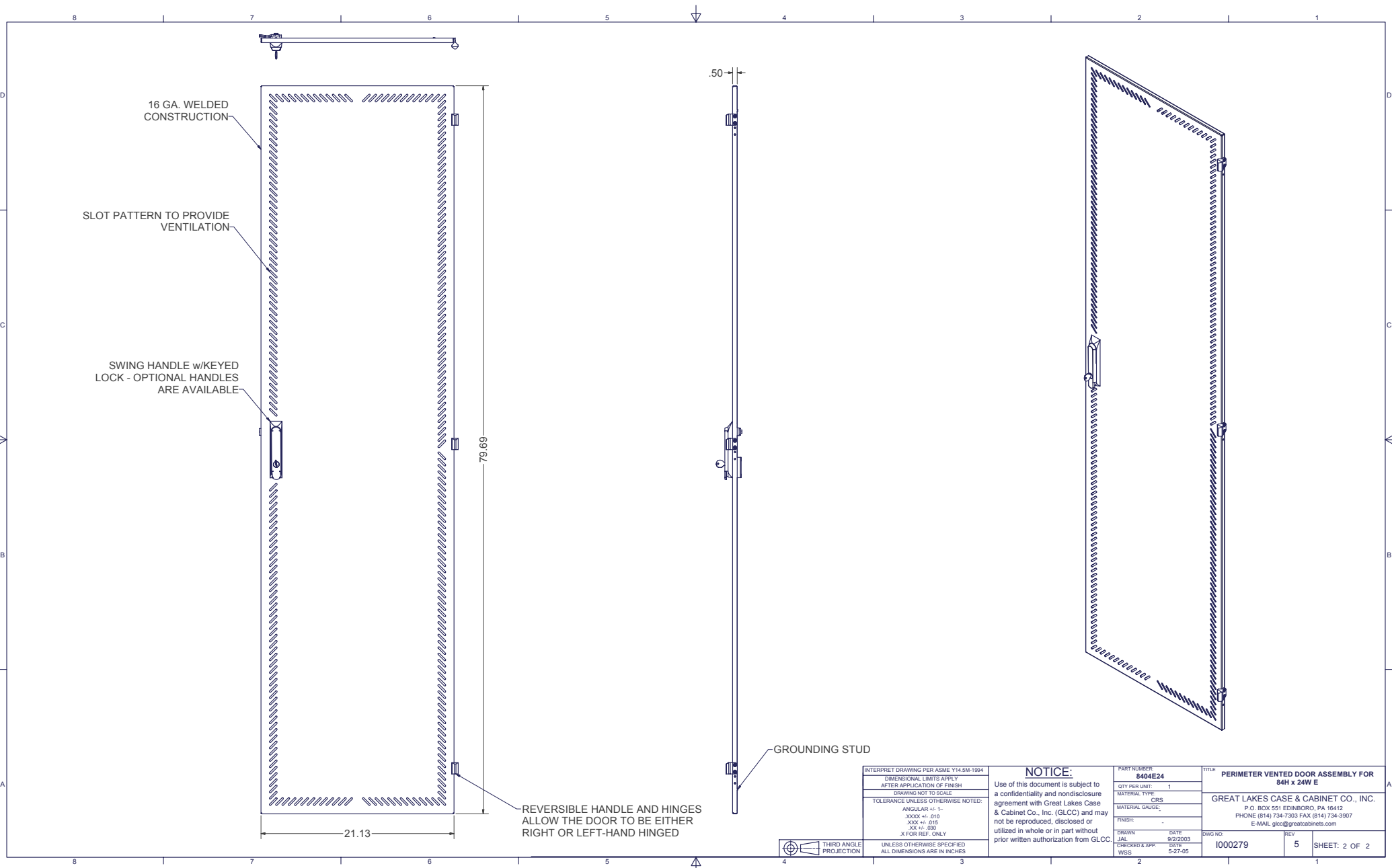
DETAIL A



INTERPRET DRAWING PER ASME Y14.5M-1994
 DIMENSIONAL LIMITS APPLY AFTER APPLICATION OF FINISH
 DRAWING NOT TO SCALE
 TOLERANCE UNLESS OTHERWISE NOTED:
 ANGULAR +/- 1°
 XXXX +/- .010
 XXX +/- .015
 XX +/- .030
 X FOR REF. ONLY
 UNLESS OTHERWISE SPECIFIED ALL DIMENSIONS ARE IN INCHES

NOTICE:
 Use of this document is subject to a confidentiality and nondisclosure agreement with Great Lakes Case & Cabinet Co., Inc. (GLCC) and may not be reproduced, disclosed or utilized in whole or in part without prior written authorization from GLCC.

PART NUMBER: 8404E24	TITLE: PERIMETER VENTED DOOR ASSEMBLY FOR 84H x 24W E
QTY PER UNIT: 1	GREAT LAKES CASE & CABINET CO., INC. P.O. BOX 551 EDINBORO, PA 16412 PHONE: (814) 734-7303 FAX: (814) 734-3907 E-MAIL: glcc@greatscabinets.com
MATERIAL TYPE: CRS	
MATERIAL GRADE: #16 GA	
FINISH: -	
DRAWN: JAL	DATE: 9/2/2003
CHECKED & APP: WSS	DATE: 9/2/2003
DWG NO: I000279	REV: 5



16 GA. WELDED CONSTRUCTION

SLOT PATTERN TO PROVIDE VENTILATION

SWING HANDLE w/KEYED LOCK - OPTIONAL HANDLES ARE AVAILABLE

79.69

21.13

.50

GROUNDING STUD

REVERSIBLE HANDLE AND HINGES ALLOW THE DOOR TO BE EITHER RIGHT OR LEFT-HAND HINGED

INTERPRET DRAWING PER ASME Y14.5M-1994	
DIMENSIONAL LIMITS APPLY AFTER APPLICATION OF FINISH	
DRAWING NOT TO SCALE	
TOLERANCE UNLESS OTHERWISE NOTED:	
ANGULAR ± .1°	
XXX ± .010	
XXX ± .015	
XX ± .030	
X FOR REF. ONLY	
UNLESS OTHERWISE SPECIFIED ALL DIMENSIONS ARE IN INCHES	

NOTICE:
Use of this document is subject to a confidentiality and nondisclosure agreement with Great Lakes Case & Cabinet Co., Inc. (GLCC) and may not be reproduced, disclosed or utilized in whole or in part without prior written authorization from GLCC.

PART NUMBER: 8404E24	TITLE: PERIMETER VENTED DOOR ASSEMBLY FOR 84H x 24W E
QTY PER UNIT: 1	MATERIAL TYPE: CRS
MATERIAL GAUGE:	FINISH:
DRAWN: JAL	DATE: 9/2/2003
CHECKED & APP: WSS	DATE: 5-27-05

GREAT LAKES CASE & CABINET CO., INC. P.O. BOX 551 EDINBORO, PA 16412 PHONE: (814) 734-7303 FAX: (814) 734-3907 E-MAIL: glcc@greatlakes.com	
DWG NO: 1000279	REV: 5

