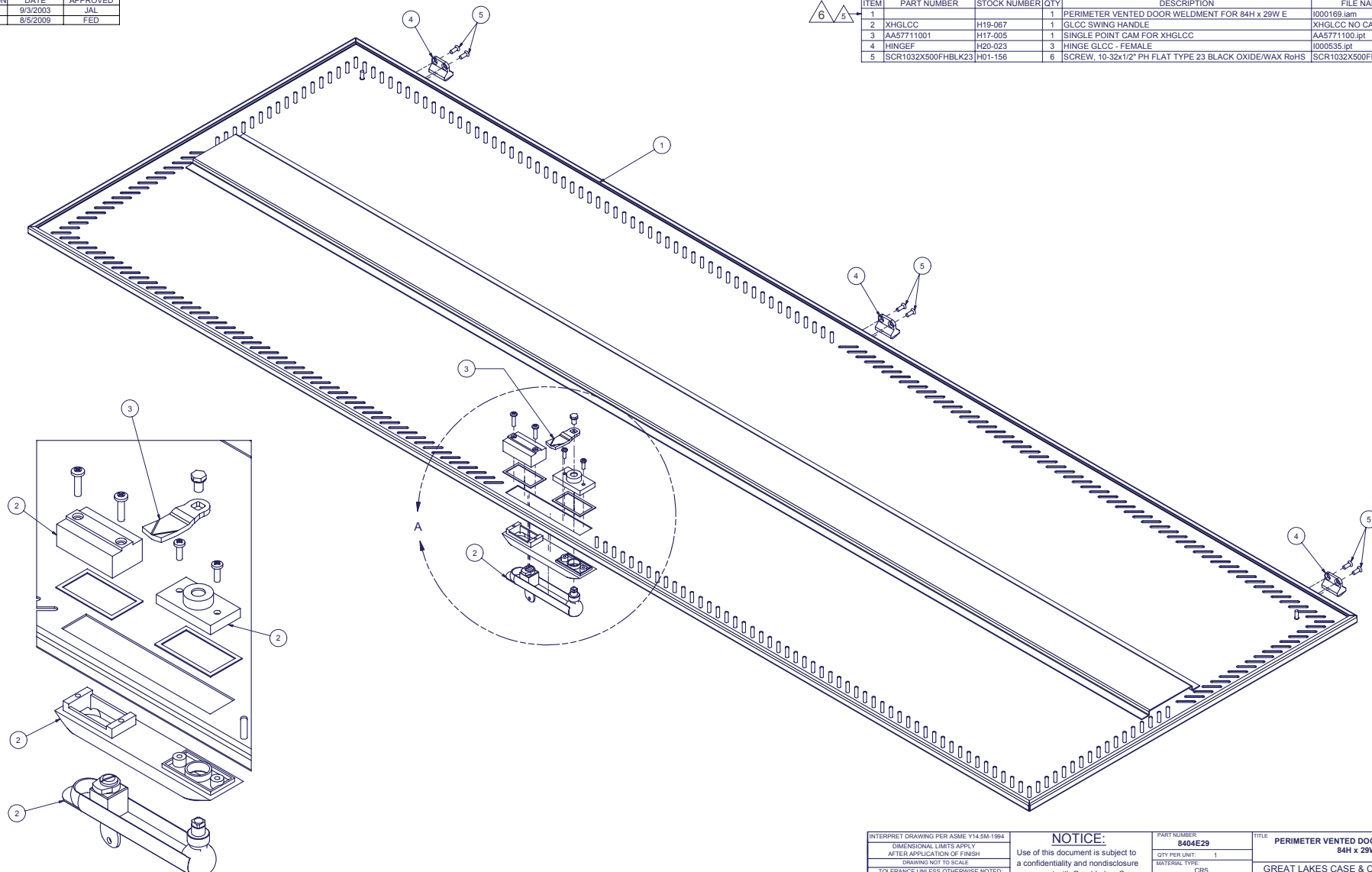


REVISION HISTORY			
REV	DESCRIPTION	DATE	APPROVED
5	ECO-01302	9/3/2003	JAL
6	ECO-02616	8/5/2009	FED

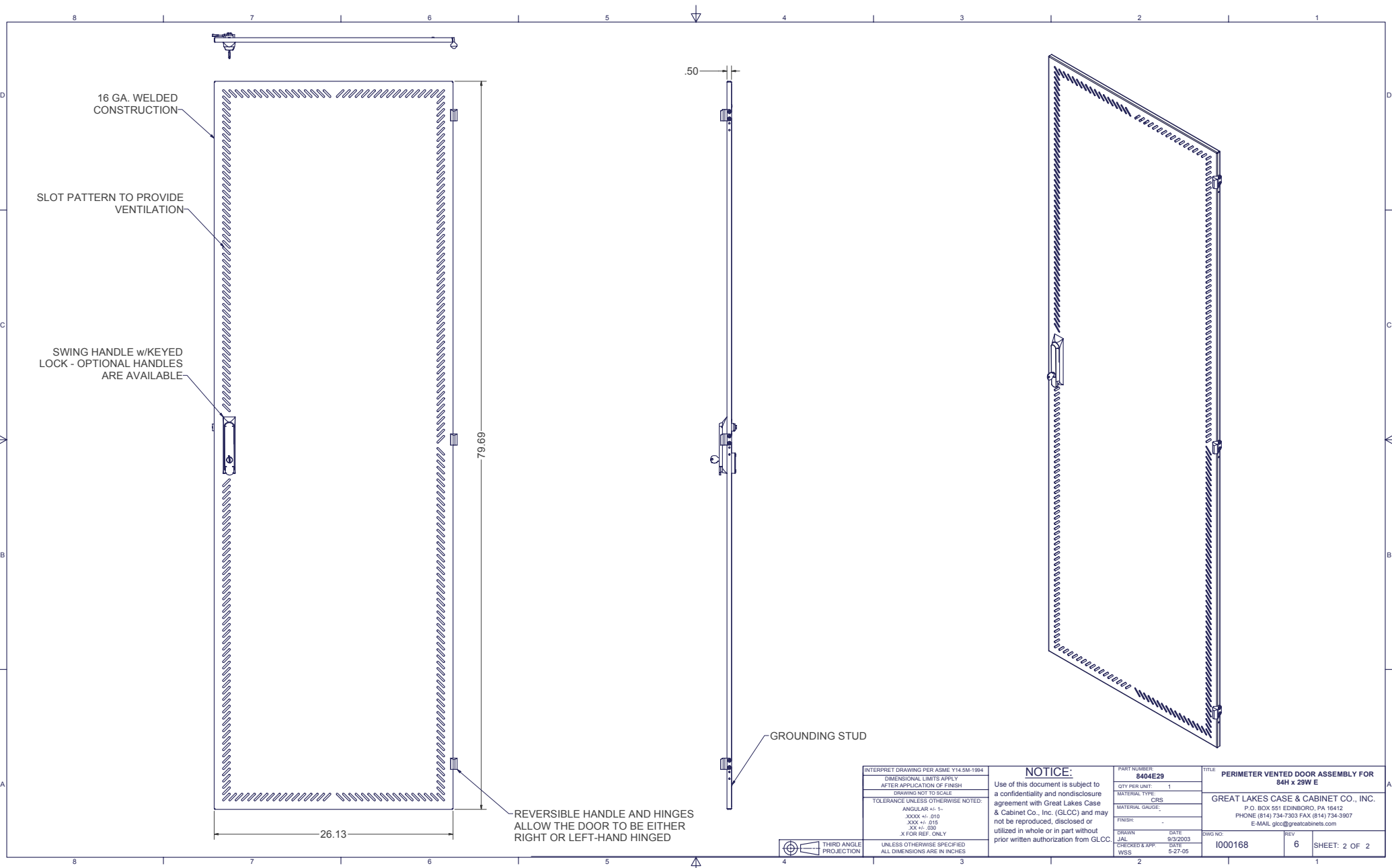
Bill of Material						
ITEM	PART NUMBER	STOCK NUMBER	QTY	DESCRIPTION	FILE NAME	REVISION
1			1	PERIMETER VENTED DOOR WELDMENT FOR 84H x 29W E	I000169.lam	5
2	XHGLCC	H19-067	1	GLCC SWING HANDLE	XHGLCC NO CAM.lam	-
3	AA57711001	H17-005	1	SINGLE POINT CAM FOR XHGLCC	AA57711001.jpt	-
4	HINGEF	H20-023	3	HINGE GLCC - FEMALE	I000535.lpt	0
5	SCR1032X500FHBLK23	H01-156	6	SCREW, 10-32x1/2" PH FLAT TYPE 23 BLACK OXIDE/WAX RoHS	SCR1032X500FHBLK23.lpt	-



DETAIL A

<p>INTERPRET DRAWING PER ASME Y14.5M-1994</p> <p>DIMENSIONAL LIMITS APPLY AFTER APPLICATION OF FINISH</p> <p>DRAWING NOT TO SCALE</p> <p>TOLERANCE UNLESS OTHERWISE NOTED:</p> <p>ANGULAR +/- 1°</p> <p>XXX +/- .010</p> <p>XXX +/- .015</p> <p>XX +/- .030</p> <p>X FOR REF. ONLY</p> <p>UNLESS OTHERWISE SPECIFIED ALL DIMENSIONS ARE IN INCHES</p>	<p>NOTICE:</p> <p>Use of this document is subject to a confidentiality and nondisclosure agreement with Great Lakes Case & Cabinet Co., Inc. (GLCC) and may not be reproduced, disclosed or utilized in whole or in part without prior written authorization from GLCC.</p>	<p>PART NUMBER: 8404E29</p> <p>QTY PER UNIT: 1</p> <p>MATERIAL TYPE: CRS</p> <p>MATERIAL GRADE: #16 GA</p> <p>FINISH: SEE NOTES</p> <p>DRAWN: JAL DATE: 9/3/2003</p> <p>CHECKED & APP: WSS DATE: 9/3/2003</p>	<p>TITLE: PERIMETER VENTED DOOR ASSEMBLY FOR 84H x 29W E</p> <p>GREAT LAKES CASE & CABINET CO., INC.</p> <p>P.O. BOX 551 EDINBORO, PA 16412</p> <p>PHONE: (814) 734-7303 FAX: (814) 734-3907</p> <p>E-MAIL: glcc@greatscabinets.com</p> <p>DWG NO: I000168</p> <p>REV: 6</p>
---	--	---	---

THIRD ANGLE PROJECTION



INTERPRET DRAWING PER ASME Y14.5M-1994	
DIMENSIONAL LIMITS APPLY AFTER APPLICATION OF FINISH	
DRAWING NOT TO SCALE	
TOLERANCE UNLESS OTHERWISE NOTED:	
ANGULAR ± 1°	
XXX ± .010	
XXX ± .015	
XX ± .030	
X FOR REF. ONLY	
UNLESS OTHERWISE SPECIFIED ALL DIMENSIONS ARE IN INCHES	

NOTICE:
 Use of this document is subject to a confidentiality and nondisclosure agreement with Great Lakes Case & Cabinet Co., Inc. (GLCC) and may not be reproduced, disclosed or utilized in whole or in part without prior written authorization from GLCC.

PART NUMBER	8404E29
QTY PER UNIT	1
MATERIAL TYPE	CRS
MATERIAL GAUGE	
FINISH	
DRAWN	JAL
CHECKED & APP'.	WSS
DATE	9/3/2003
DATE	5-27-05

TITLE		PERIMETER VENTED DOOR ASSEMBLY FOR 84H x 29W E	
DRAWN		DATE	
JAL		9/3/2003	
CHECKED & APP'.		DATE	
WSS		5-27-05	
DWG NO.	1000168	REV	6
SHEET: 2 OF 2			

GREAT LAKES CASE & CABINET CO., INC.
 P.O. BOX 551 EDINBORO, PA 16412
 PHONE: (814) 734-7323 FAX: (814) 734-3907
 E-MAIL: glcc@greatlakescabinets.com