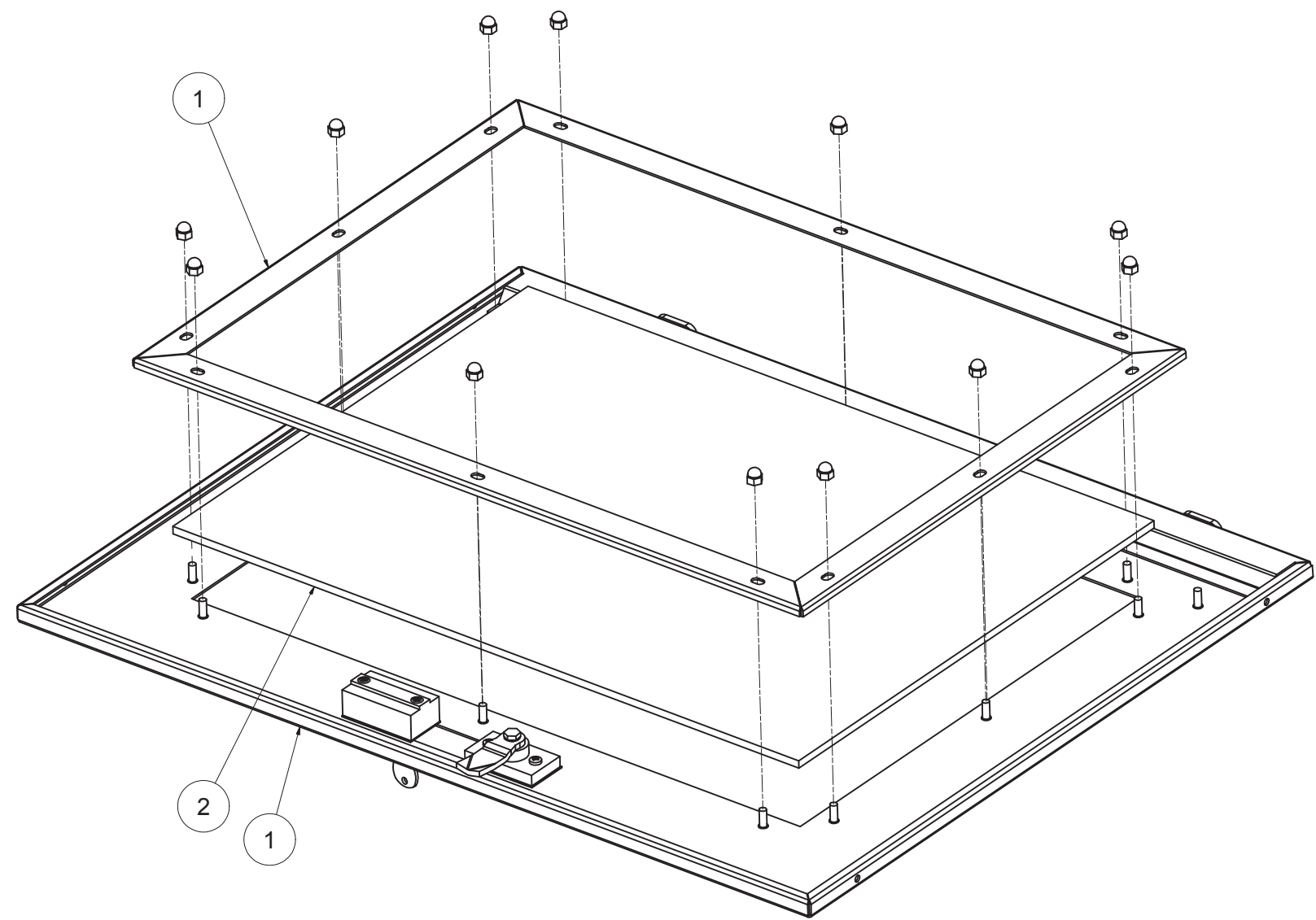


REVISION HISTORY			
REV	DESCRIPTION	DATE	APPROVED
0	ECO-01273	9/23/2010	WSS
1	ECO-02991	9/20/2010	FED
2	ECO-03034	10/26/2010	MZ

Bill of Material						
ITEM	PART NUMBER	STOCK NUMBER	QTY	DESCRIPTION	FILE NAME	REV
1	3002E24X100		1	PLEXIGLASS ENHANCED DOOR, 30"H x 24"W 'E', VENDOR LEVEL ASSEMBLY	I001570.iam	2
2	PLEX300E24		1	PLEXI FOR 48H x 24W E - BRONZE	I001573.ipt	0
3	H02-006	H02-006	4	#10-32 ACORN NUT NYLON BLACK	0501032LCNBLK.ipt	-



INTERPRET DRAWING PER ASME Y14.5M-1994
 DIMENSIONAL LIMITS APPLY
 AFTER APPLICATION OF FINISH
 DRAWING NOT TO SCALE
 TOLERANCE UNLESS OTHERWISE NOTED:
 ANGULAR +/- .1
 .XXXX +/- .010
 .XXX +/- .015
 .XX +/- .030
 .X FOR REF. ONLY

NOTICE:
 Use of this document is subject to a confidentiality and nondisclosure agreement with Great Lakes Case & Cabinet Co., Inc. (GLCC) and may not be reproduced, disclosed or utilized in whole or in part without prior written authorization from GLCC.

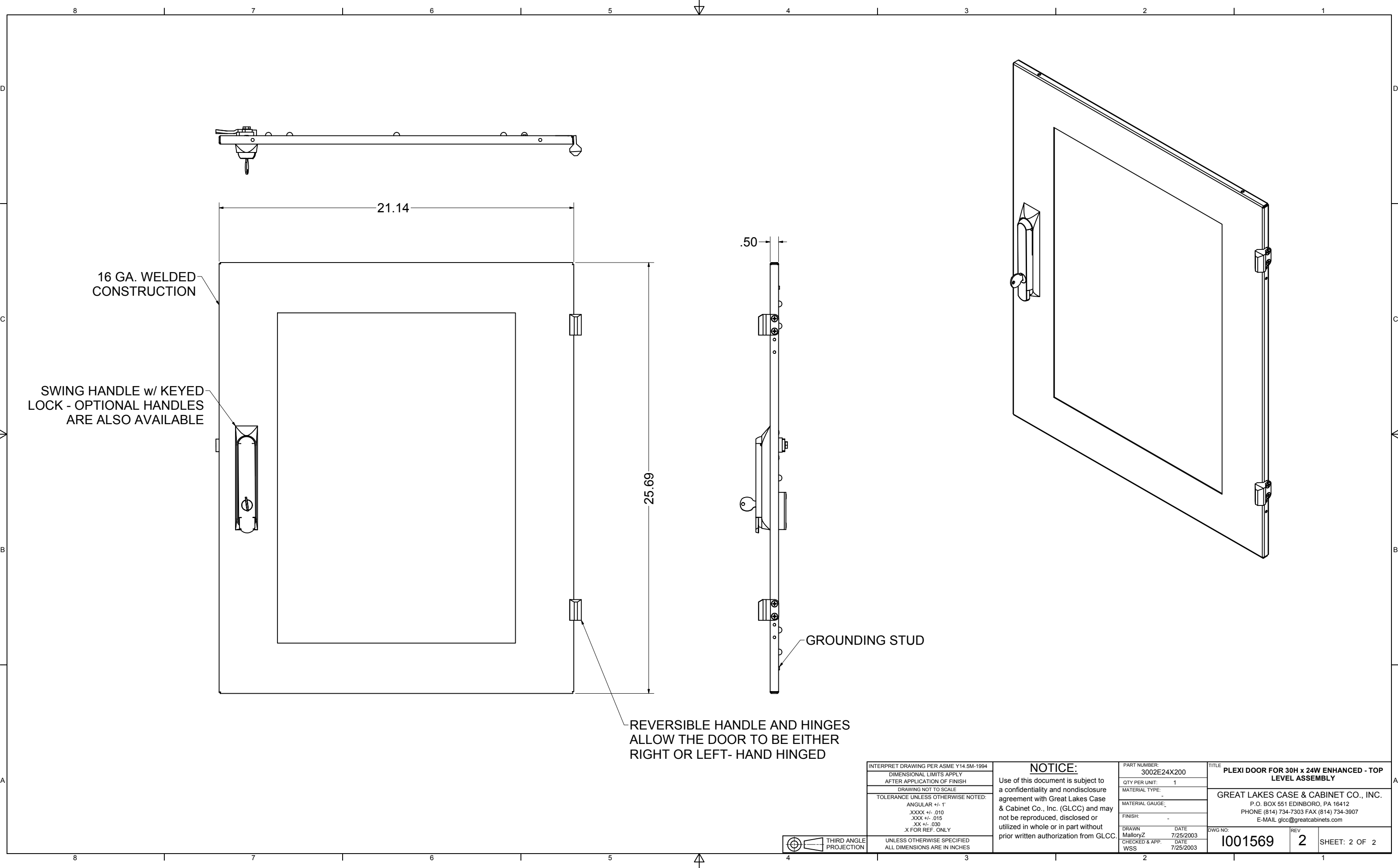
PART NUMBER:
 3002E24
 QTY PER UNIT: 1
 MATERIAL TYPE:
 -
 MATERIAL GAUGE:
 #16 GA
 FINISH:
 -
 DRAWN: MallyorZ
 DATE: 7/25/2003
 CHECKED & APP: WSS
 DATE: 7-29-03

TITLE
PLEXI DOOR FOR 30H x 24W ENHANCED - TOP LEVEL ASSEMBLY
 GREAT LAKES CASE & CABINET CO., INC.
 P.O. BOX 551 EDINBORO, PA 16412
 PHONE (814) 734-7303 FAX (814) 734-3907
 E-MAIL glcc@greatcabinets.com



THIRD ANGLE PROJECTION
 UNLESS OTHERWISE SPECIFIED
 ALL DIMENSIONS ARE IN INCHES

DWG NO: **1001569**
 REV: **2**
 SHEET: 1 OF 2



INTERPRET DRAWING PER ASME Y14.5M-1994
 DIMENSIONAL LIMITS APPLY
 AFTER APPLICATION OF FINISH
 DRAWING NOT TO SCALE
 TOLERANCE UNLESS OTHERWISE NOTED:
 ANGULAR +/- .1°
 .XXXX +/- .010
 .XXX +/- .015
 .XX +/- .030
 .X FOR REF. ONLY

NOTICE:
 Use of this document is subject to a confidentiality and nondisclosure agreement with Great Lakes Case & Cabinet Co., Inc. (GLCC) and may not be reproduced, disclosed or utilized in whole or in part without prior written authorization from GLCC.

PART NUMBER:
 3002E24X200
 QTY PER UNIT: 1
 MATERIAL TYPE:
 MATERIAL GAUGE:
 FINISH:

TITLE
PLEXI DOOR FOR 30H x 24W ENHANCED - TOP LEVEL ASSEMBLY
 GREAT LAKES CASE & CABINET CO., INC.
 P.O. BOX 551 EDINBORO, PA 16412
 PHONE (814) 734-7303 FAX (814) 734-3907
 E-MAIL glcc@greatcabinets.com



UNLESS OTHERWISE SPECIFIED ALL DIMENSIONS ARE IN INCHES

DRAWN
 MalloryZ
 DATE
 7/25/2003
 CHECKED & APP.
 WSS
 DATE
 7/25/2003

DWG NO.
1001569
 REV
2
 SHEET: 2 OF 2