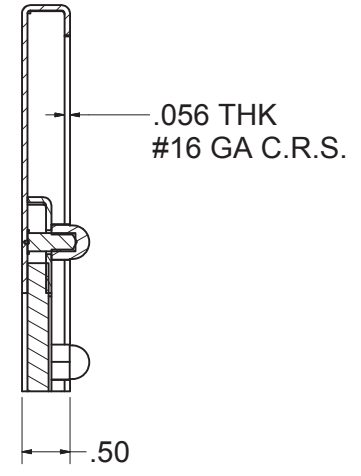
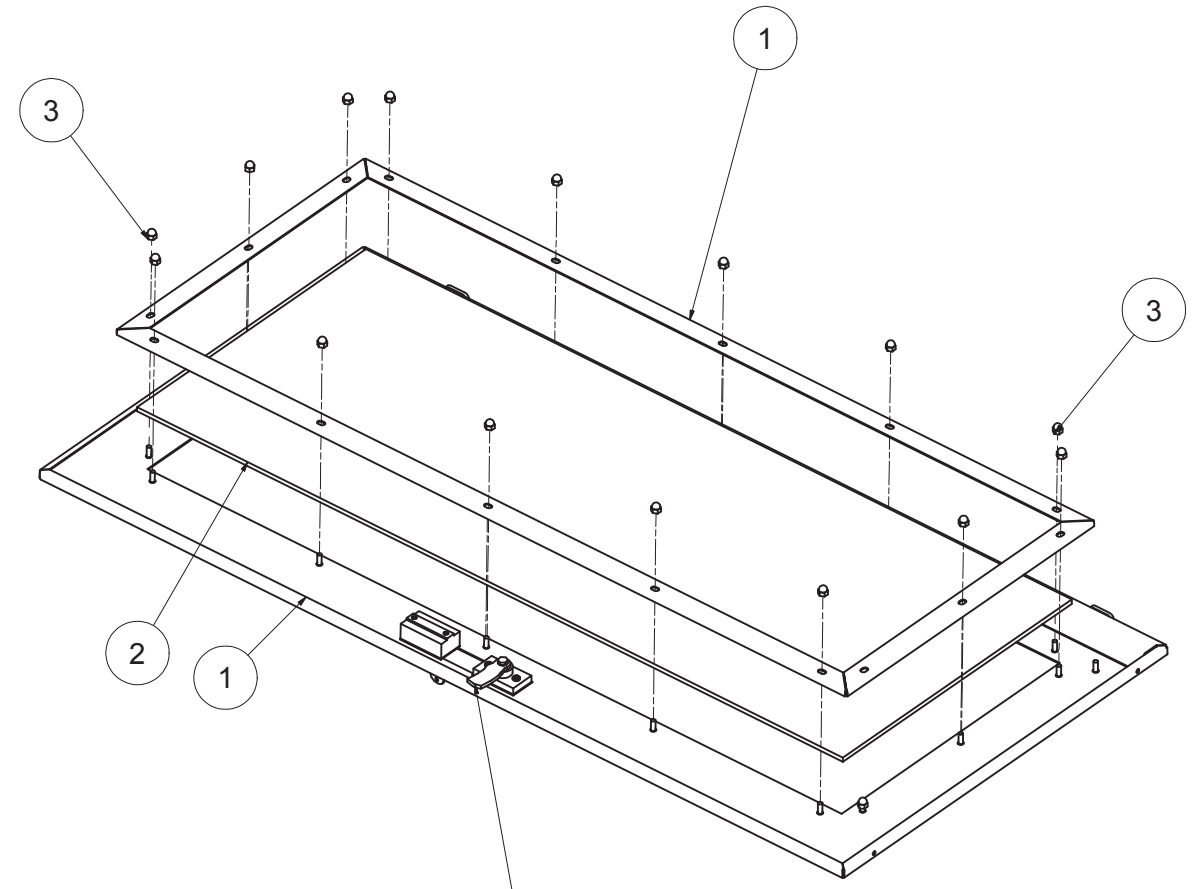
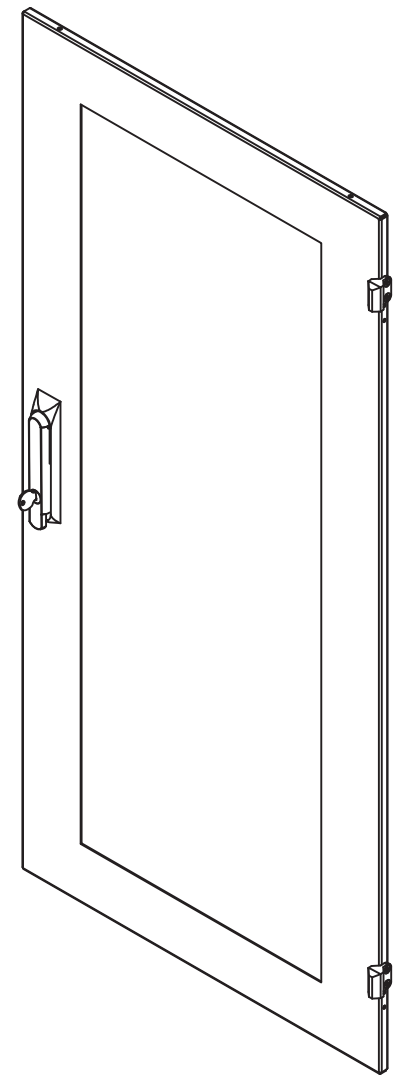
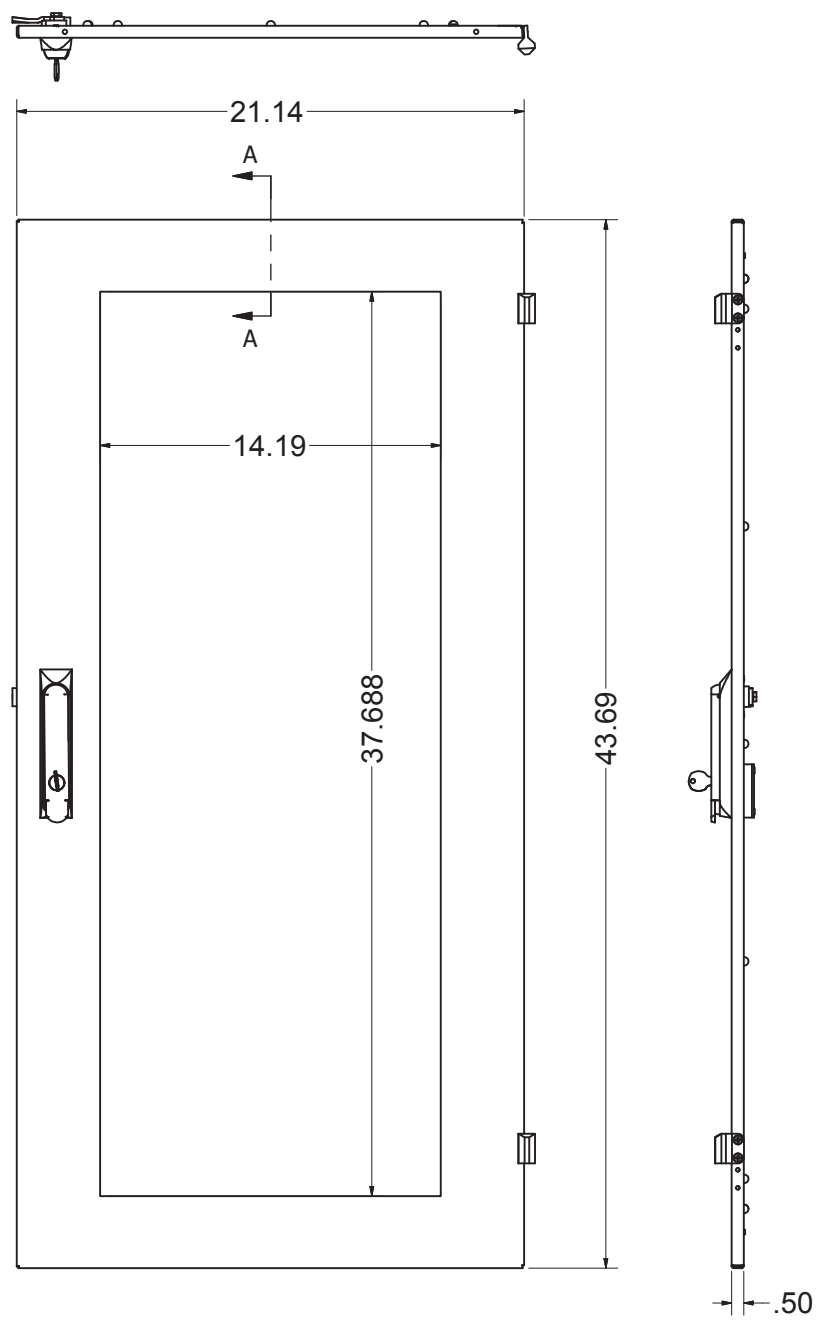


REVISION HISTORY			
REV	DESCRIPTION	DATE	APPROVED
1	ECO-01275	7/23/2003	WSS
2	ECO-02991	9/20/2010	FED
3	ECO-03034	10/26/2010	MZ

Bill of Material						
ITEM	PART NUMBER	STOCK NUMBER	QTY	DESCRIPTION	FILE NAME	REV
1	4802E24X100		1	PLEXIGLASS ENHANCED DOOR, 48"H x 24"W 'E', VENDOR LEVEL ASSEMBLY	I001410.iam	3
2	PLEX480E24		1	PLEXI FOR 48H x 24W E - BRONZE	I001475.ipt	0
3	H02-006	H02-006	12	#10-32 ACORN NUT NYLON BLACK	0501032LCNBLK.ipt	-



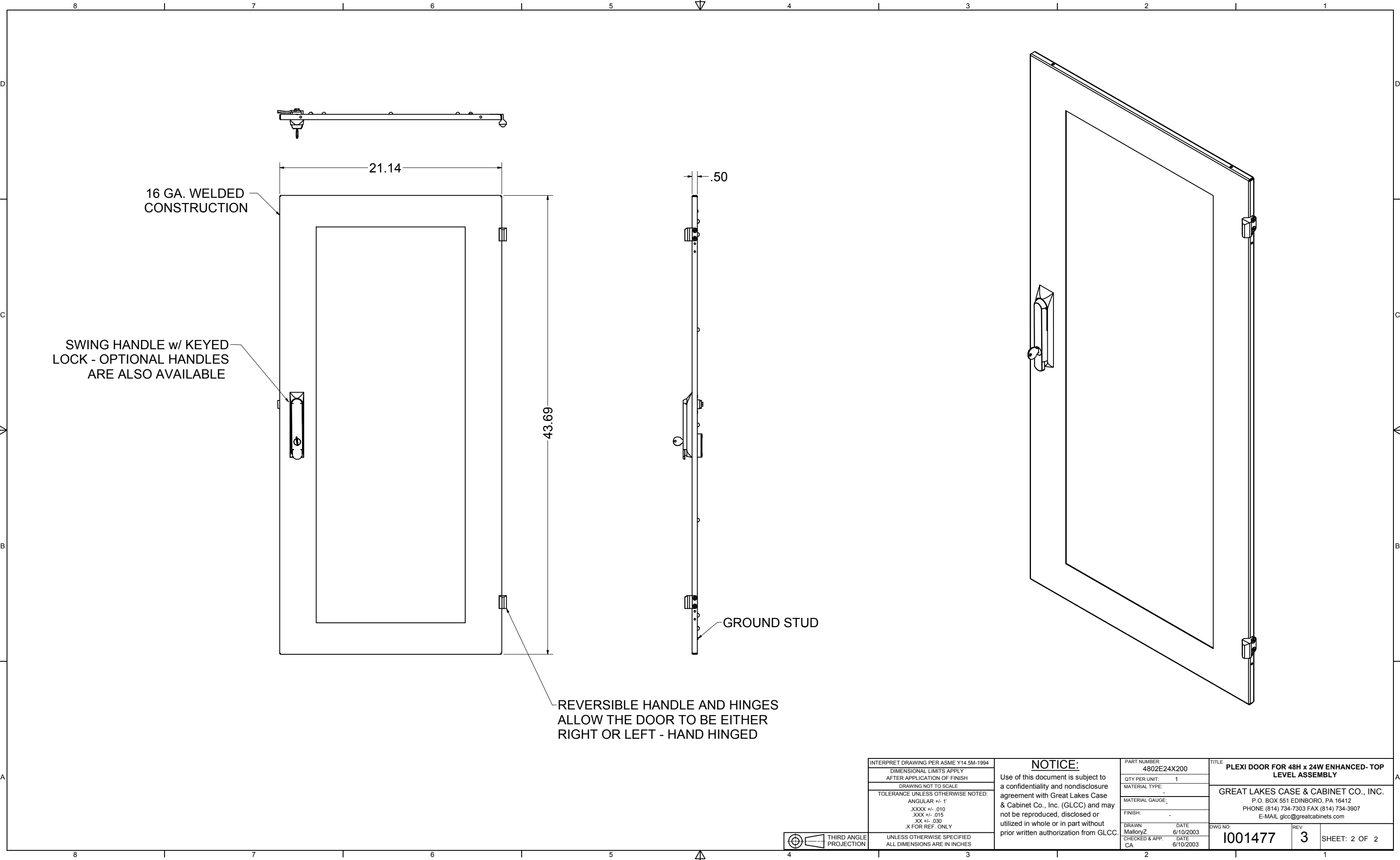
SECTION A-A
SCALE 1

INTERPRET DRAWING PER ASME Y14.5M-1994
DIMENSIONAL LIMITS APPLY AFTER APPLICATION OF FINISH
DRAWING NOT TO SCALE
TOLERANCE UNLESS OTHERWISE NOTED:
ANGULAR +/- 1
.XXXX +/- .010
.XXX +/- .015
.XX +/- .030
.X FOR REF. ONLY
UNLESS OTHERWISE SPECIFIED ALL DIMENSIONS ARE IN INCHES

NOTICE:
Use of this document is subject to a confidentiality and nondisclosure agreement with Great Lakes Case & Cabinet Co., Inc. (GLCC) and may not be reproduced, disclosed or utilized in whole or in part without prior written authorization from GLCC.

PART NUMBER: 4802E24
QTY PER UNIT: 1
MATERIAL TYPE: -
MATERIAL GAUGE: #16 GA
FINISH: -
DRAWN: MalloryZ
DATE: 6/10/2003
CHECKED & APP. CA
DATE: 6-11-03

TITLE PLEXI DOOR FOR 48H x 24W ENHANCED- TOP LEVEL ASSEMBLY
GREAT LAKES CASE & CABINET CO., INC. P.O. BOX 551 EDINBORO, PA 16412 PHONE (814) 734-7303 FAX (814) 734-3907 E-MAIL glcc@greatcabinets.com
DWG NO: 1001477
REV: 3
SHEET: 1 OF 2



INTERPRET DRAWING PER ASME Y14.5M-1994
 DIMENSIONAL LIMITS APPLY
 AFTER APPLICATION OF FINISH
 DRAWING NOT TO SCALE
 TOLERANCE UNLESS OTHERWISE NOTED:
 ANGULAR +/- .1°
 .XXXX +/- .010
 .XXX +/- .015
 .XX +/- .030
 .X FOR REF. ONLY

NOTICE:
 Use of this document is subject to a confidentiality and nondisclosure agreement with Great Lakes Case & Cabinet Co., Inc. (GLCC) and may not be reproduced, disclosed or utilized in whole or in part without prior written authorization from GLCC.

PART NUMBER:
4802E24X200
 QTY PER UNIT: 1
 MATERIAL TYPE:
 MATERIAL GAUGE:
 FINISH:

TITLE
PLEXI DOOR FOR 48H x 24W ENHANCED-TOP LEVEL ASSEMBLY
 GREAT LAKES CASE & CABINET CO., INC.
 P.O. BOX 551 EDINBORO, PA 16412
 PHONE (814) 734-7303 FAX (814) 734-3907
 E-MAIL glcc@greatcabinets.com



UNLESS OTHERWISE SPECIFIED ALL DIMENSIONS ARE IN INCHES

DRAWN: MalloryZ DATE: 6/10/2003
 CHECKED & APP.: CA DATE: 6/10/2003

DWG NO: **1001477** REV: **3** SHEET: 2 OF 2