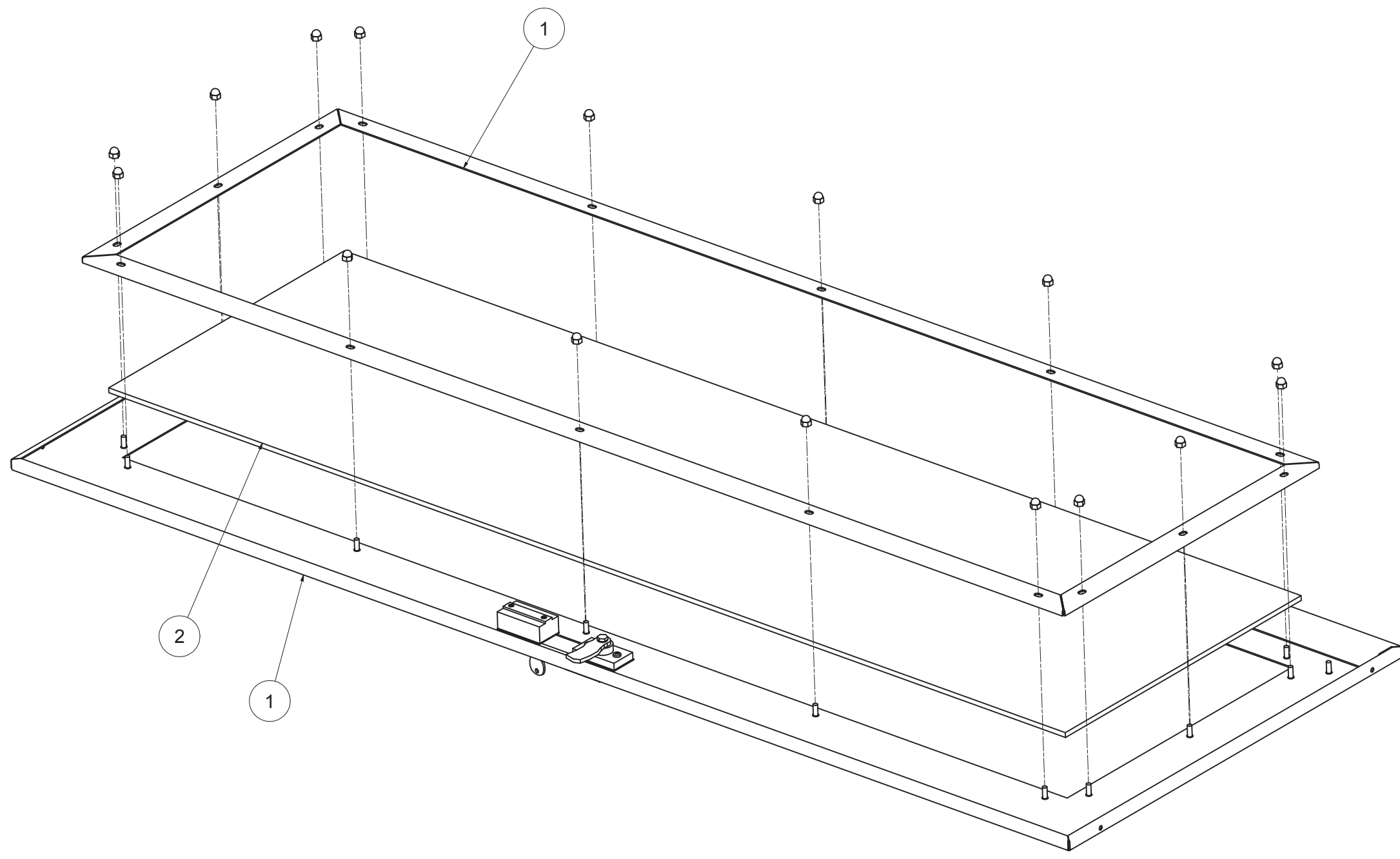


REVISION HISTORY			
REV	DESCRIPTION	DATE	APPROVED
0	ECO-01292	8/29/2003	WSS
1	ECO-02991	9/20/2010	FED
2	ECO-03034	10/27/2010	MZ

Bill of Material						
ITEM	PART NUMBER	STOCK NUMBER	QTY	DESCRIPTION	FILE NAME	REV
1	6002E24X100		1	PLEXIGLASS ENHANCED DOOR, 60"H x 24"W 'E', VENDOR LEVEL ASSEMBLY	I001645.iam	2
2	PLEX600E24		1	PLEXI FOR 60"H x 24"W E - BRONZE	I001648.ipt	0
3	H02-006	H02-006	8	#10-32 ACORN NUT NYLON BLACK	0501032LCNBLK.ipt	-



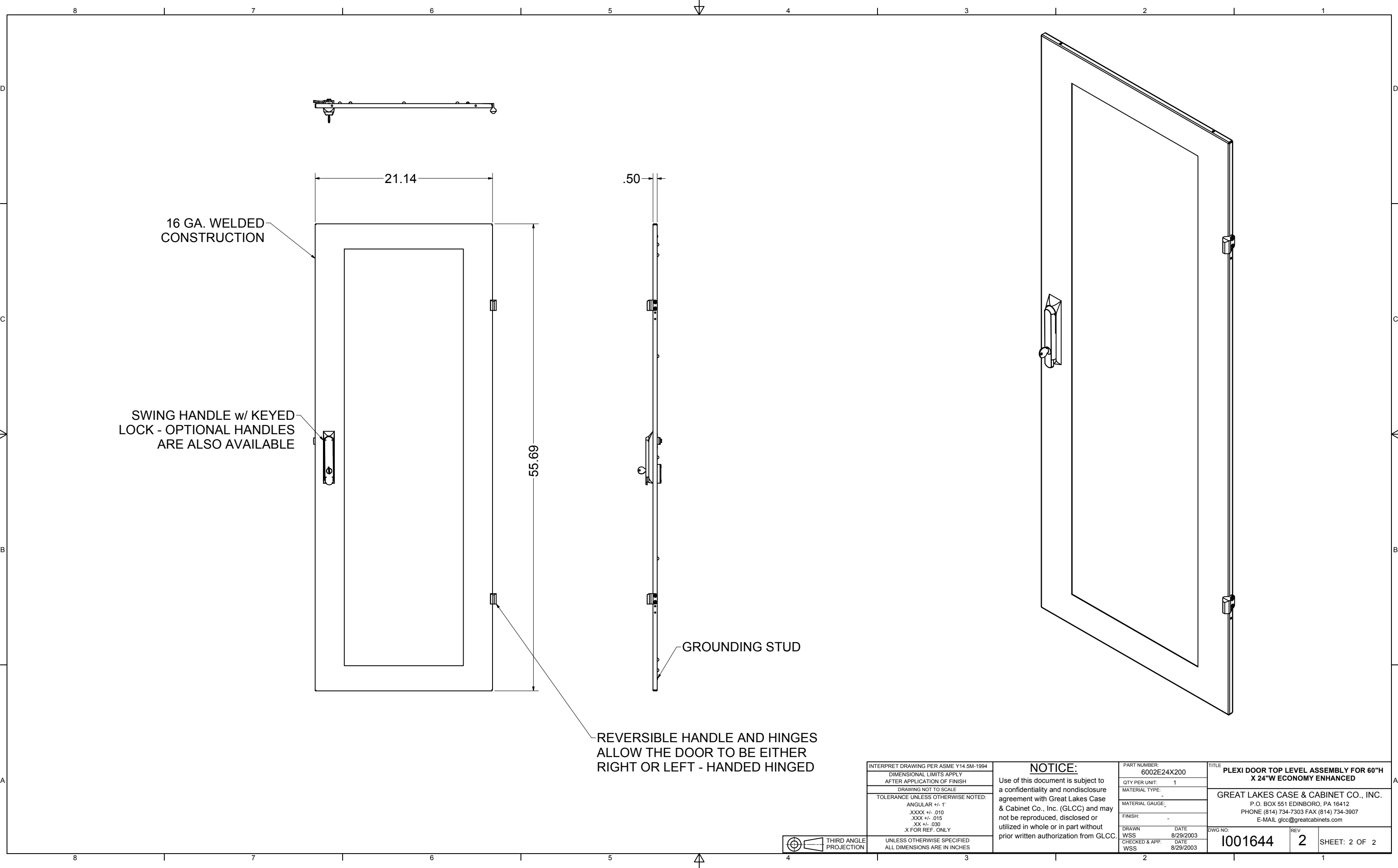
INTERPRET DRAWING PER ASME Y14.5M-1994
 DIMENSIONAL LIMITS APPLY
 AFTER APPLICATION OF FINISH
 DRAWING NOT TO SCALE
 TOLERANCE UNLESS OTHERWISE NOTED:
 ANGULAR +/- .1
 .XXXX +/- .010
 .XXX +/- .015
 .XX +/- .030
 X FOR REF. ONLY
 UNLESS OTHERWISE SPECIFIED
 ALL DIMENSIONS ARE IN INCHES

NOTICE:
 Use of this document is subject to a confidentiality and nondisclosure agreement with Great Lakes Case & Cabinet Co., Inc. (GLCC) and may not be reproduced, disclosed or utilized in whole or in part without prior written authorization from GLCC.

PART NUMBER:
 6002E24
 QTY PER UNIT: 1
 MATERIAL TYPE:
 -
 MATERIAL GAUGE:
 #16 GA
 FINISH:
 -
 DRAWN: WSS DATE: 8/29/2003
 CHECKED & APP: CA DATE: 8/29/03

TITLE
PLEXI DOOR TOP LEVEL ASSEMBLY FOR 60"H X 24"W ECONOMY ENHANCED
 GREAT LAKES CASE & CABINET CO., INC.
 P.O. BOX 551 EDINBORO, PA 16412
 PHONE (814) 734-7303 FAX (814) 734-3907
 E-MAIL glcc@greatcabinets.com
 DWG NO: **1001644** REV: **2** SHEET: 1 OF 2





16 GA. WELDED CONSTRUCTION

SWING HANDLE w/ KEYED LOCK - OPTIONAL HANDLES ARE ALSO AVAILABLE

GROUNDING STUD

REVERSIBLE HANDLE AND HINGES ALLOW THE DOOR TO BE EITHER RIGHT OR LEFT - HANDED HINGED

INTERPRET DRAWING PER ASME Y14.5M-1994
DIMENSIONAL LIMITS APPLY AFTER APPLICATION OF FINISH
DRAWING NOT TO SCALE
TOLERANCE UNLESS OTHERWISE NOTED:
ANGULAR +/- .1°
.XXXX +/- .010
.XXX +/- .015
.XX +/- .030
.X FOR REF. ONLY

NOTICE:
Use of this document is subject to a confidentiality and nondisclosure agreement with Great Lakes Case & Cabinet Co., Inc. (GLCC) and may not be reproduced, disclosed or utilized in whole or in part without prior written authorization from GLCC.

PART NUMBER:	6002E24X200
QTY PER UNIT:	1
MATERIAL TYPE:	-
MATERIAL GAUGE:	-
FINISH:	-
DRAWN	DATE
WSS	8/29/2003
CHECKED & APP.	DATE
WSS	8/29/2003

TITLE	PLEXI DOOR TOP LEVEL ASSEMBLY FOR 60"H X 24"W ECONOMY ENHANCED	
	GREAT LAKES CASE & CABINET CO., INC.	
	P.O. BOX 551 EDINBORO, PA 16412	
	PHONE (814) 734-7303 FAX (814) 734-3907	
	E-MAIL glcc@greatcabinets.com	
DWG NO.	REV	SHEET: 2 OF 2
1001644	2	



THIRD ANGLE PROJECTION

UNLESS OTHERWISE SPECIFIED ALL DIMENSIONS ARE IN INCHES