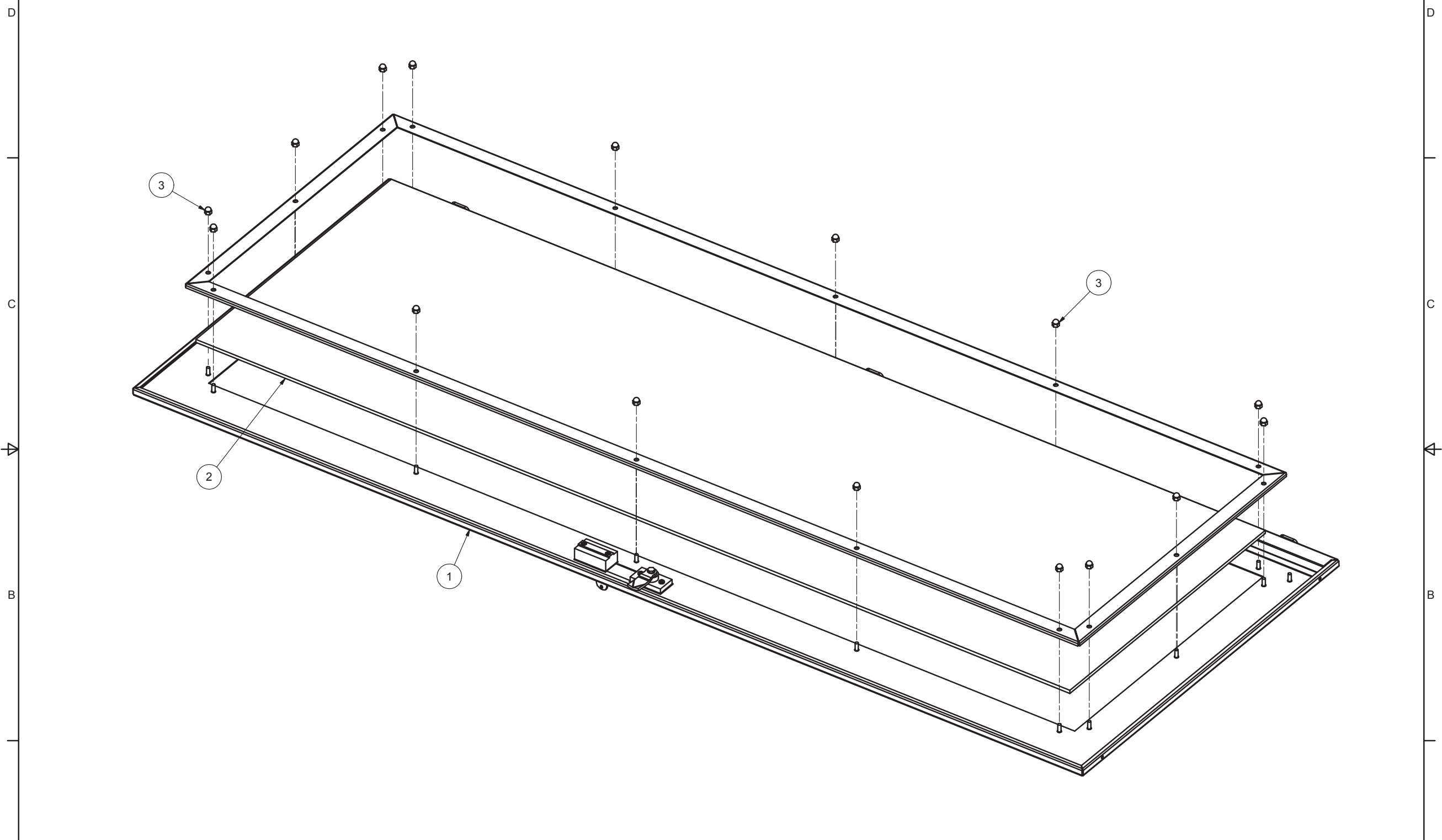


6 5 4 3 2 1

REVISION HISTORY			
REV	DESCRIPTIO	DATE	APPROVED
0		7/22/2003	
1	ECO-02991	9/20/2010	FED

1

Bill of Material						
ITEM	PART NUMBER	STOCK NUMBER	QTY	DESCRIPTION	FILE NAME	REVISION
1	7202E29X100		1	PLEXIGLASS ENHANCED DOOR, 72"H x 29"W 'E', VENDOR LEVEL ASSEMBLY	I000230.iam	7
2	PLEX720E29		1	PLEXI SHEET FOR 29 W X 72 H E CABINET DOOR	I000235.ipt	2
3	H02-006	H02-006	12	#10-32 ACORN NUT NYLON BLACK	0501032LCNBLK.ipt	-



INTERPRET DRAWING PER ASME Y14.5M-1994
 DIMENSIONAL LIMITS APPLY
 AFTER APPLICATION OF FINISH
 DRAWING NOT TO SCALE
 TOLERANCE UNLESS OTHERWISE NOTED:
 ANGULAR +/- 1
 .XXXX +/- .010
 .XXX +/- .015
 .XX +/- .030
 .X FOR REF. ONLY

NOTICE:
 Use of this document is subject to a confidentiality and nondisclosure agreement with Great Lakes Case & Cabinet Co., Inc. (GLCC) and may not be reproduced, disclosed or utilized in whole or in part without prior written authorization from GLCC.

PART NUMBER:
7202E29
 QTY PER UNIT: 1
 MATERIAL TYPE:
 -
 MATERIAL GAUGE:
#16 GA
 FINISH:
 -
 DRAWN DATE
 JAL 7/22/2003
 CHECKED & APP. DATE
 CA 7/22/2003

TITLE
**PLEXIGLAS ENHANCED DOOR, 72"H x 29"W,
 TOP LEVEL ASSEMBLY**
GREAT LAKES CASE & CABINET CO., INC.
 P.O. BOX 551 EDINBORO, PA 16412
 PHONE (814) 734-7303 FAX (814) 734-3907
 E-MAIL glcc@greatcabinets.com

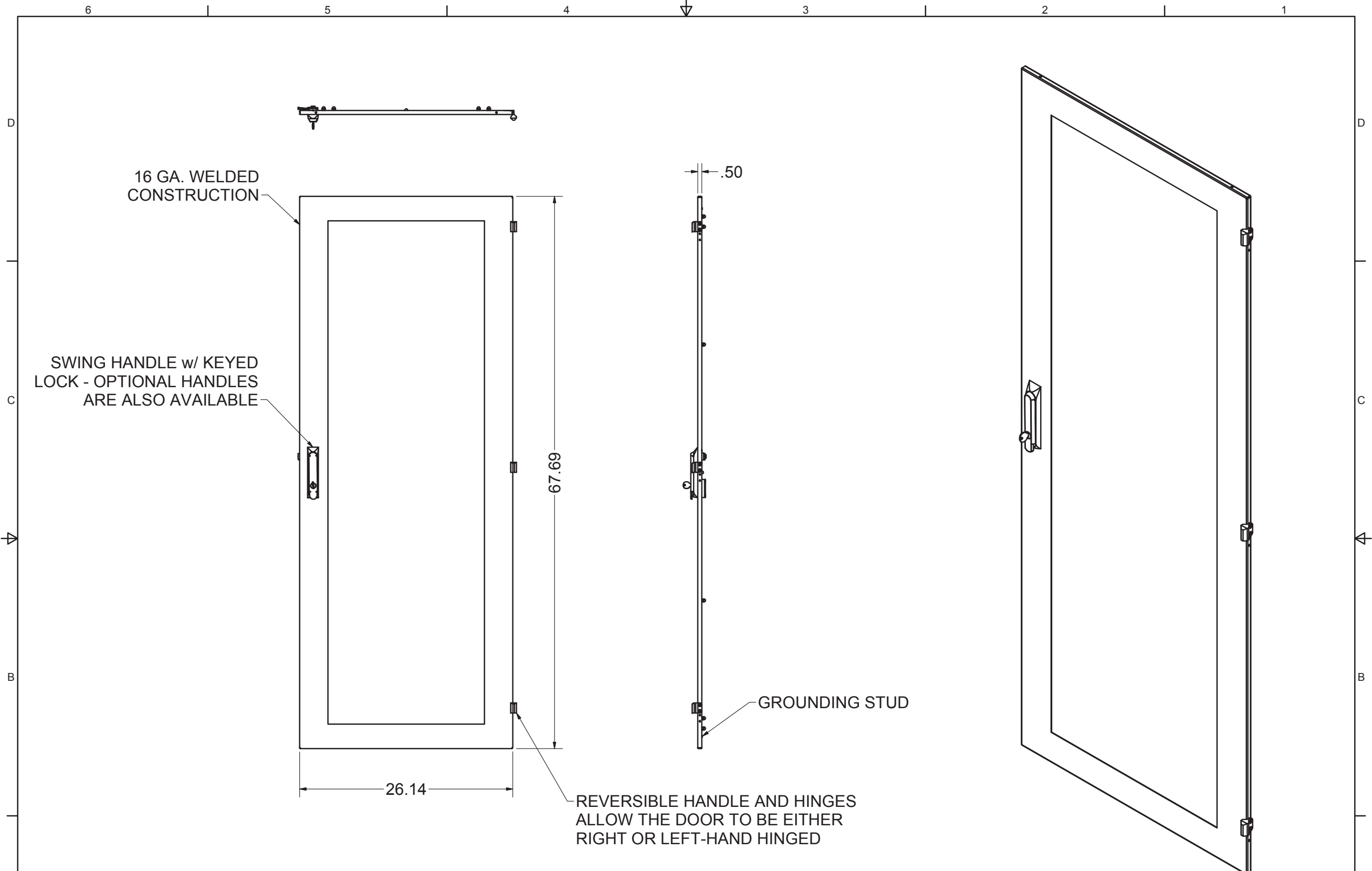


UNLESS OTHERWISE SPECIFIED
 ALL DIMENSIONS ARE IN INCHES

DWG NO: **I001526** REV **1** SHEET: 1 OF 2

A

6 5 4 3 2 1



INTERPRET DRAWING PER ASME Y14.5M-1994
 DIMENSIONAL LIMITS APPLY
 AFTER APPLICATION OF FINISH
 DRAWING NOT TO SCALE
 TOLERANCE UNLESS OTHERWISE NOTED:
 ANGULAR +/- 1
 .XXXX +/- .010
 .XXX +/- .015
 .XX +/- .030
 .X FOR REF. ONLY

NOTICE:
 Use of this document is subject to a confidentiality and nondisclosure agreement with Great Lakes Case & Cabinet Co., Inc. (GLCC) and may not be reproduced, disclosed or utilized in whole or in part without prior written authorization from GLCC.

PART NUMBER:
7202E29
 QTY PER UNIT: 1
 MATERIAL TYPE: -
 MATERIAL GAUGE: -
 FINISH: -
 DRAWN DATE: JAL 7/22/2003
 CHECKED & APP. DATE: WSS 5-27-05

TITLE
PLEXIGLAS ENHANCED DOOR, 72"H x 29"W, TOP LEVEL ASSEMBLY
 GREAT LAKES CASE & CABINET CO., INC.
 P.O. BOX 551 EDINBORO, PA 16412
 PHONE (814) 734-7303 FAX (814) 734-3907
 E-MAIL glcc@greatcabinets.com
 DWG NO: **I001526** REV: **1** SHEET: 2 OF 2



UNLESS OTHERWISE SPECIFIED
 ALL DIMENSIONS ARE IN INCHES