

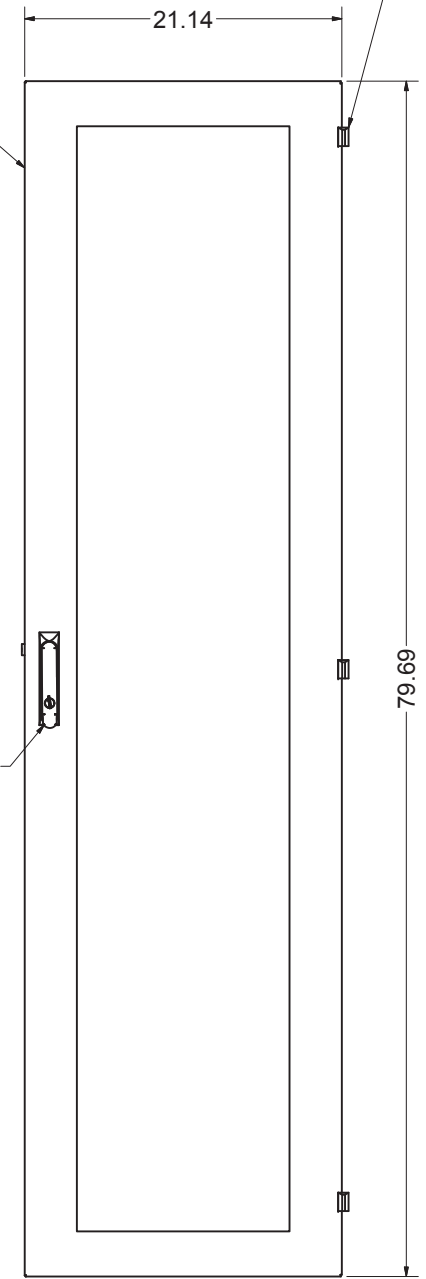
REVISION HISTORY			
REV	DESCRIPTIO	DATE	APPROVED
1	ECO-02866	5/17/2010	FED

Bill of Material					FILE NAME	REVISION
ITEM	PART NUMBER	STOCK NUMBER	QTY	DESCRIPTION		
1	8402E24X100		1	PLEXIGLAS ENHANCED DOOR, 84"H x 24"W 'E' - ASSEMBLY	I000274.iam	7
2	PLEX840E24		1	PLEXI SHEET FOR 24 W X 84 H E CABINET DOOR	I000278.ipt	2
3	H02-006	H02-006	14	#10-32 ACORN NUT NYLON BLACK	0501032LCNBLK.ipt	-

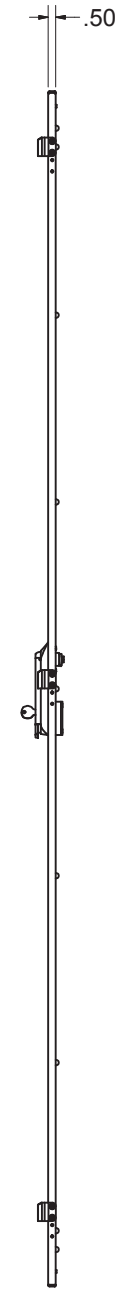


TOP VIEW

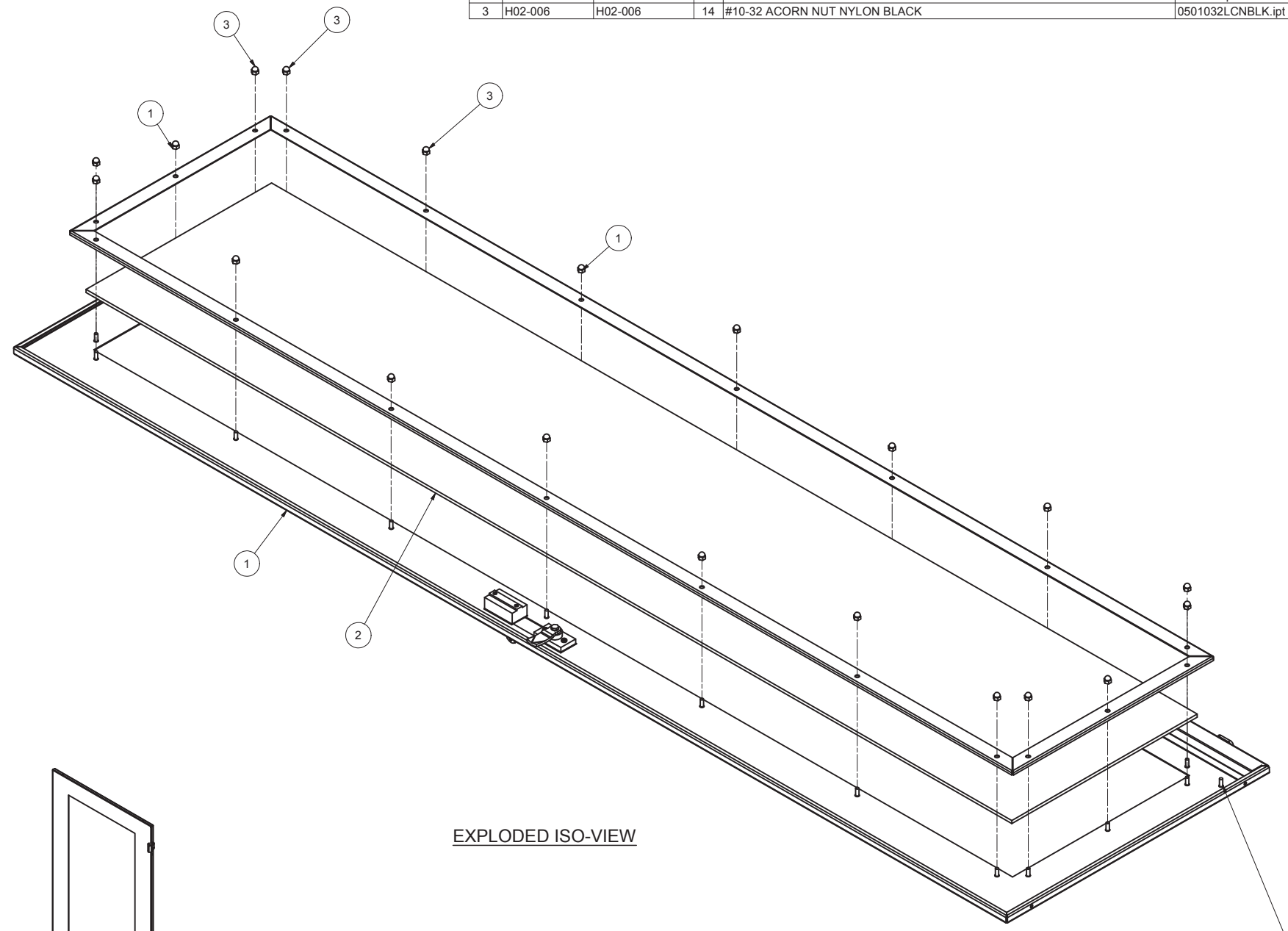
REVERSIBLE HANDLE & HINGES ALLOW THE DOOR TO BE EITHER LEFT OR RIGHT HAND HINGED



FRONT VIEW



HINGED SIDE VIEW



EXPLODED ISO-VIEW

GROUND STUDS (2) REF

16 GA CRS CONSTRUCTION

STANDARD SWING HANDLE w/ KEYED LOCK - OPTIONAL HANDLES ARE AVAILABLE

INTERPRET DRAWING PER ASME Y14.5M-1994
DIMENSIONAL LIMITS APPLY AFTER APPLICATION OF FINISH
DRAWING NOT TO SCALE
TOLERANCE UNLESS OTHERWISE NOTED:
ANGULAR +/- .1
.XXXX +/- .010
.XXX +/- .015
.XX +/- .030
.X FOR REF. ONLY
UNLESS OTHERWISE SPECIFIED ALL DIMENSIONS ARE IN INCHES

NOTICE:
Use of this document is subject to a confidentiality and nondisclosure agreement with Great Lakes Case & Cabinet Co., Inc. (GLCC) and may not be reproduced, disclosed or utilized in whole or in part without prior written authorization from GLCC.

PART NUMBER:	8402E24
QTY PER UNIT:	1
MATERIAL TYPE:	CRS
MATERIAL GAUGE:	#16 GA
FINISH:	POWDERCOAT
DRAWN:	JAL
DATE:	7/21/2003
CHECKED & APP.:	CA
DATE:	7-22-03

TITLE: PLEXIGLAS ENHANCED DOOR, 84"H x 24"W - TOP LEVEL ASSEMBLY
GREAT LAKES CASE & CABINET CO., INC.
P.O. BOX 551 EDINBORO, PA 16412
PHONE (814) 734-7303 FAX (814) 734-3907
E-MAIL glcc@greatcabinets.com



THIRD ANGLE PROJECTION

DWG NO:	1001524	REV	1	SHEET: 1 OF 1
---------	---------	-----	---	---------------