

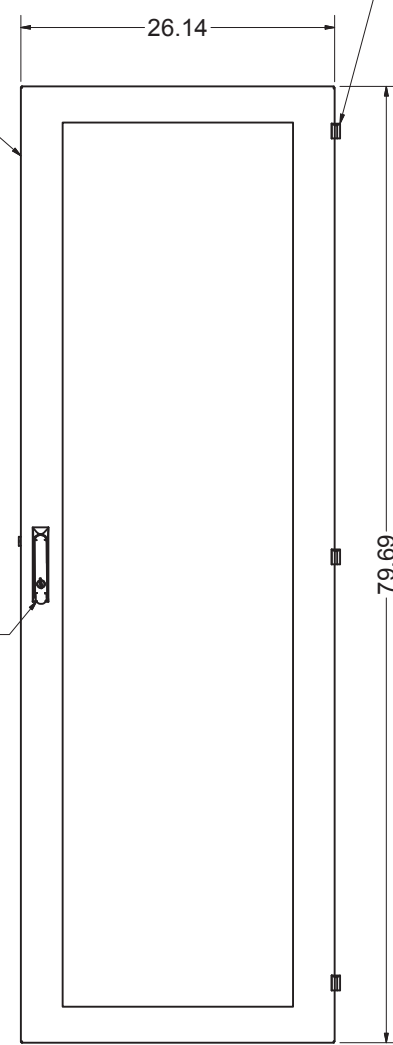
| REVISION HISTORY |             |           |          |
|------------------|-------------|-----------|----------|
| REV              | DESCRIPTION | DATE      | APPROVED |
| 1                | ECO-02866   | 5/14/2010 | FED      |

| Bill of Material |             |              |     |   |                   |          |
|------------------|-------------|--------------|-----|---|-------------------|----------|
| ITEM             | PART NUMBER | STOCK NUMBER | QTY | DESCRIPTION   | FILE NAME         | REVISION |
| 1                | 8402E29X100 |              | 1   | PLEXIGLAS ENHANCED DOOR, 84"H x 29"W 'E' - ASSEMBLY | I000162.iam       | 8        |
| 2                | PLEX840E29  |              | 1   | PLEXI SHEET FOR 29 W X 84 H E CABINET DOOR          | I000167.ipt       | 2        |
| 3                | H02-006     | H02-006      | 14  | #10-32 ACORN NUT NYLON BLACK                        | 0501032LCNBLK.ipt | -        |

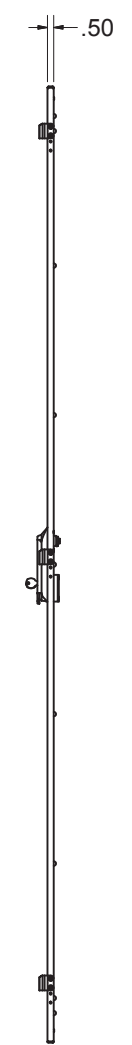


TOP VIEW

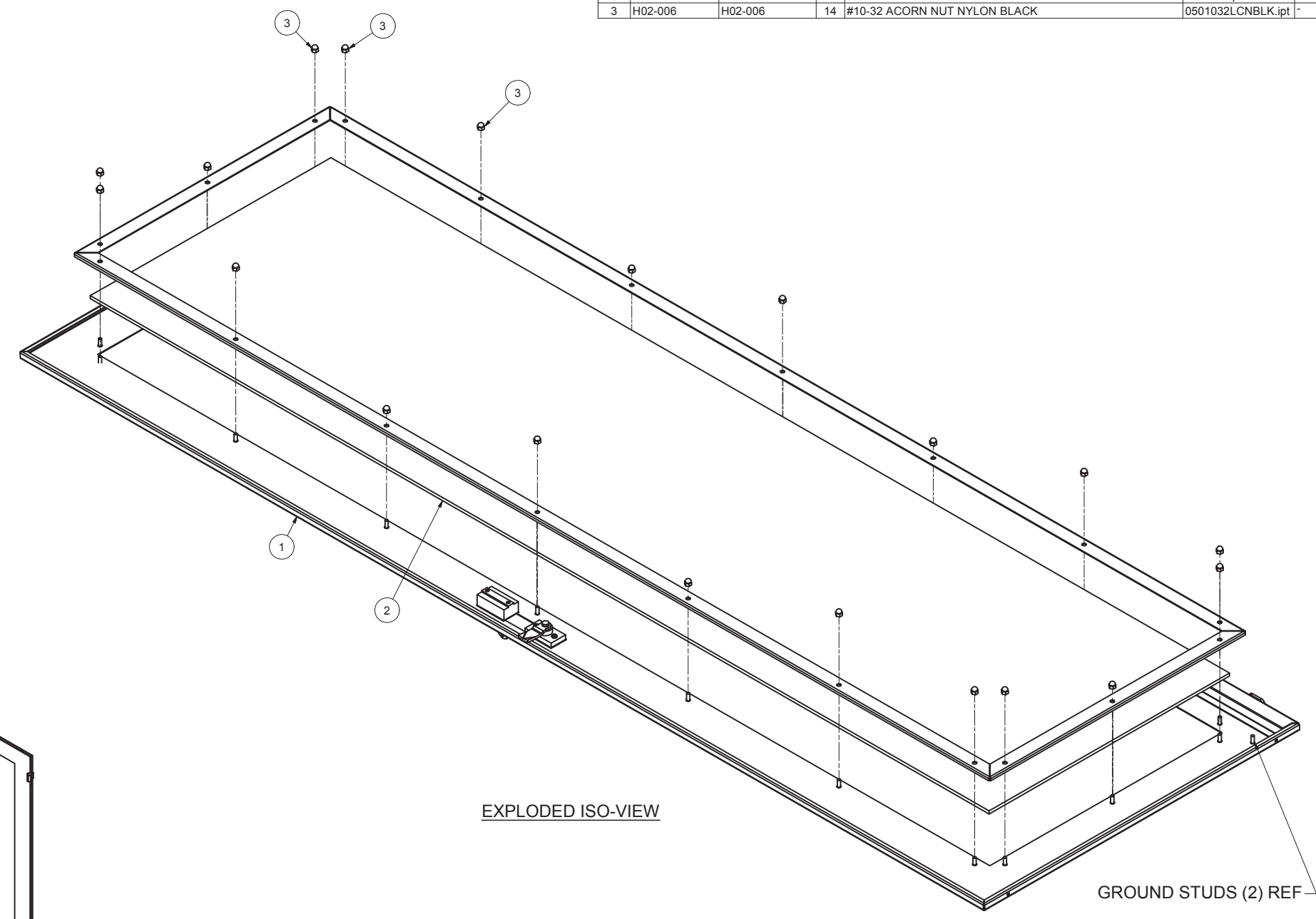
REVERSIBLE HANDLE & HINGES ALLOW THE DOOR TO BE EITHER LEFT OR RIGHT HAND HINGED



FRONT VIEW



HINGED SIDE VIEW



EXPLODED ISO-VIEW

GROUND STUDS (2) REF

16 GA CRS CONSTRUCTION

STANDARD SWING HANDLE w/ KEYED LOCK - OPTIONAL HANDLES ARE AVAILABLE

INTERPRET DRAWING PER ASME Y14.5M-1994  
 DIMENSIONAL LIMITS APPLY AFTER APPLICATION OF FINISH  
 DRAWING NOT TO SCALE  
 TOLERANCE UNLESS OTHERWISE NOTED:  
 ANGULAR +/- .1  
 .XXXX +/- .010  
 .XXX +/- .015  
 .XX +/- .030  
 .X FOR REF. ONLY

**NOTICE:**  
 Use of this document is subject to a confidentiality and nondisclosure agreement with Great Lakes Case & Cabinet Co., Inc. (GLCC) and may not be reproduced, disclosed or utilized in whole or in part without prior written authorization from GLCC.

PART NUMBER: **8402E29**  
 QTY PER UNIT: 1  
 MATERIAL TYPE: -  
 MATERIAL GAUGE: **#16 GA**  
 FINISH: -  
 DRAWN: JAL DATE: 7/18/2003  
 CHECKED & APP: CA DATE: 7-18-03

TITLE: **PLEXIGLAS ENHANCED DOOR, 84"H x 29"W - TOP LEVEL ASSEMBLY**  
 GREAT LAKES CASE & CABINET CO., INC.  
 P.O. BOX 551 EDINBORO, PA 16412  
 PHONE (814) 734-7303 FAX (814) 734-3907  
 E-MAIL glcc@greatcabinets.com



THIRD ANGLE PROJECTION  
 UNLESS OTHERWISE SPECIFIED ALL DIMENSIONS ARE IN INCHES

DWG NO: **1001523** REV: **1** SHEET: 1 OF 1