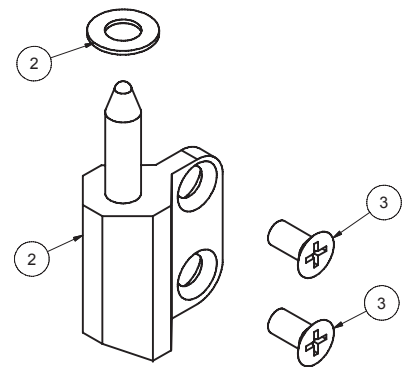
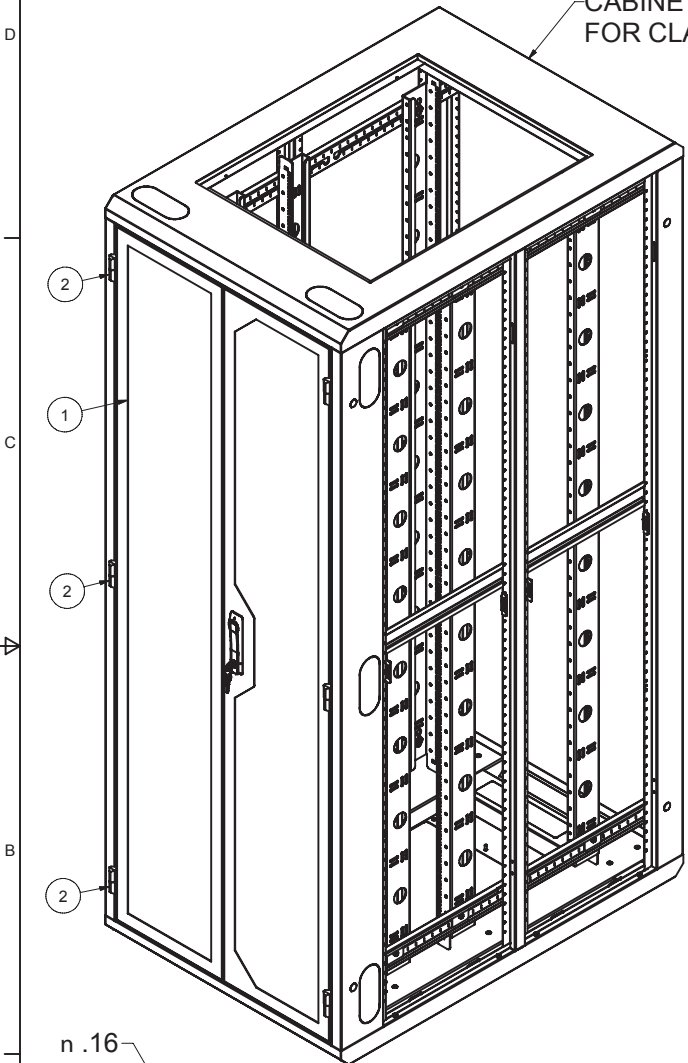


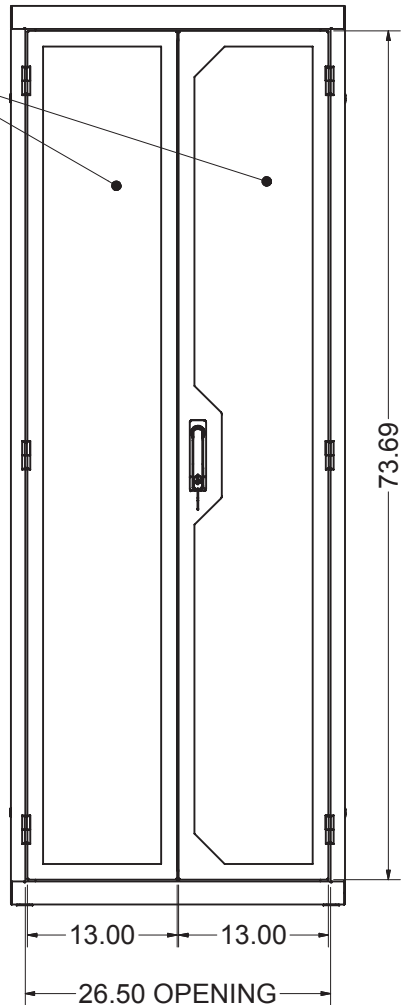
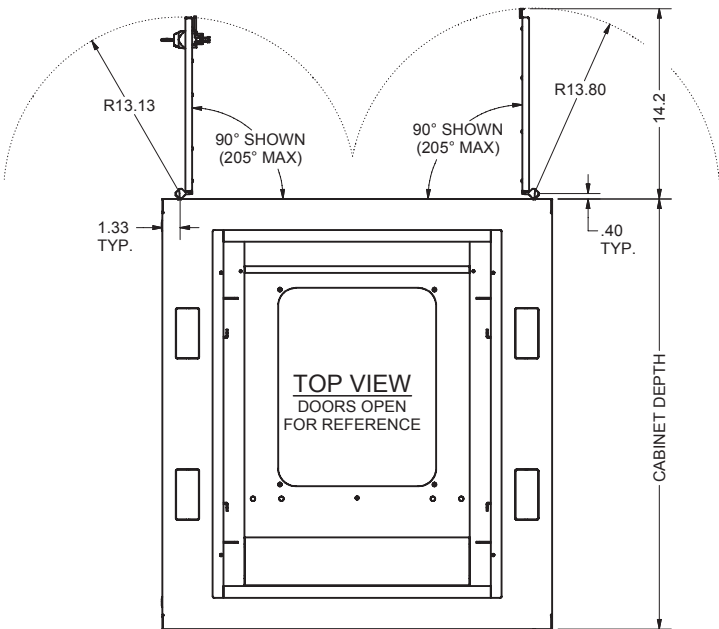
REVISION HISTORY			
REV	DESCRIPTION	DATE	APPROVED
0	ECO-01952	6/18/2007	WSS
1	ECO-01979	7/2/2007	JL
2	ECO-02010	8/1/07	WSS
3	ECO-02345	8/11/2008	FED

Bill of Material			DESCRIPTION	FILE NAME	REVISION
1		1	SPLIT MESH DOOR ASSEMBLY FOR 78"H x 29"W ENHANCED	I005511.iam	3
2	HINGEM	3	HINGE, MALE PORTION, WITH WASHER	I000538.iam	0
3	H01-069	6	SCREW, 10-32x3/8" PH FLAT TYPE 23 BLACK OXIDE/WAX RoHS	SCR1032X375FHBLK23.ipt	



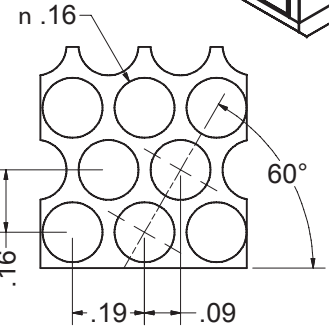
SHIP ITEMS #2 & 3 LOOSE AS A HARDWARE PACK

MESH PANELS (SEE DETAIL A)



**DOOR SPECIFICATIONS:**

- DOOR AND MESH PANEL = 16 GA CRS
- DOOR COMPATIBLE WITH GLCC OPTIONAL HANDLES. XHGLCC SWING HANDLE STANDARD.



DETAIL A

INTERPRET DRAWING PER ASME Y14.5M-1994
DIMENSIONAL LIMITS APPLY AFTER APPLICATION OF FINISH
DRAWING NOT TO SCALE
TOLERANCE UNLESS OTHERWISE NOTED:
ANGULAR +/- 1-
.XXXX +/- .010
.XXX +/- .015
.XX +/- .030
.X FOR REF. ONLY

**NOTICE:**  
Use of this document is subject to a confidentiality and nondisclosure agreement with Great Lakes Case & Cabinet Co., Inc. (GLCC) and may not be reproduced, disclosed or utilized in whole or in part without prior written authorization from GLCC.

PART NUMBER:	<b>7802E29SM</b>
QTY PER UNIT:	1
MATERIAL TYPE:	-
MATERIAL GAUGE:	<b>#16 GA</b>
FINISH:	-
DRAWN	DATE
JAL	8/11/2008
CHECKED & APP.	DATE
WSS	6/18/2007

TITLE		<b>SPLIT MESH DOOR SET COMPLETE FOR 78"H x 29"W ENHANCED</b>	
GREAT LAKES CASE & CABINET CO., INC.			
P.O. BOX 551 EDINBORO, PA 16412			
PHONE (814) 734-7303 FAX (814) 734-3907			
E-MAIL glcc@greatcabinets.com			
DWG NO:	REV	SHEET: 1 OF 1	
I005510	3		



UNLESS OTHERWISE SPECIFIED ALL DIMENSIONS ARE IN INCHES