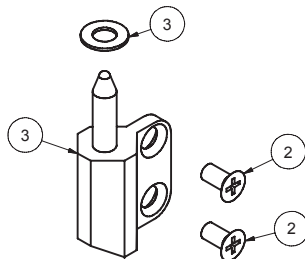


REVISION HISTORY			
REV	DESCRIPTION	DATE	APPROVED
1	ECO-01952	6/15/2007	WSS
2	ECO-02010	8/1/07	WSS
3	ECO-02345	8/8/08	FED

			Bill of Material			
ITEM	PART NUMBER	QTY	DESCRIPTION	FILE NAME	REVISION	
1		1	SPLIT MESH DOORS FOR 78"H x 24"W ENHANCED CABINET - ASSEMBLY	I005479.iam	2	
2	H01-069	6	SCREW, 10-32x3/8" PH FLAT TYPE 23 BLACK OXIDE/WAX RoHS	SCR1032X375FHBLK23.pt		
3	HINGEM	3	HINGE, MALE PORTION, WITH WASHER	I000538.iam	0	

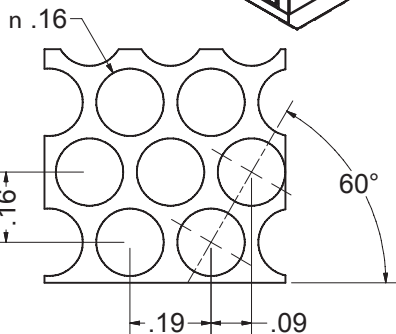
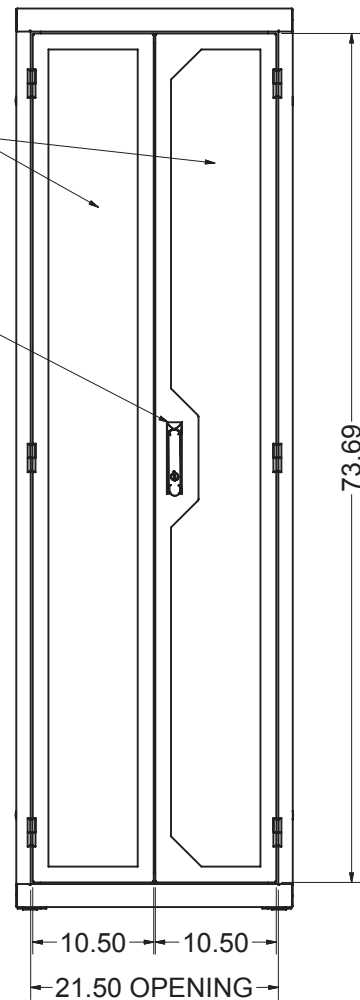
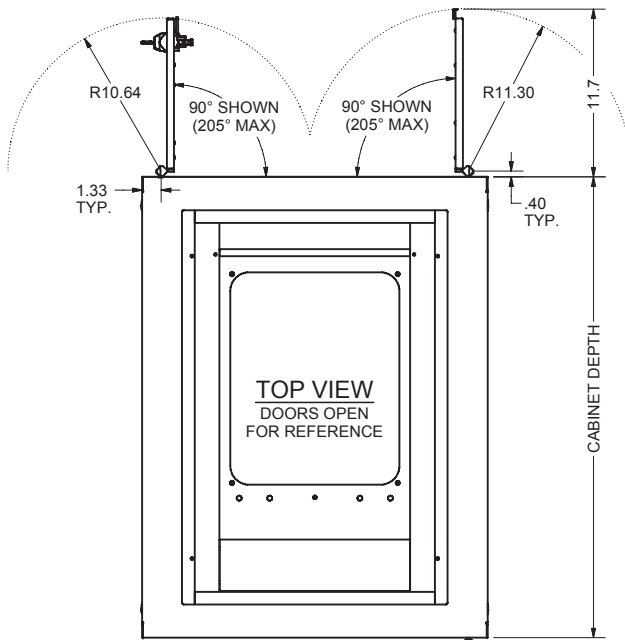
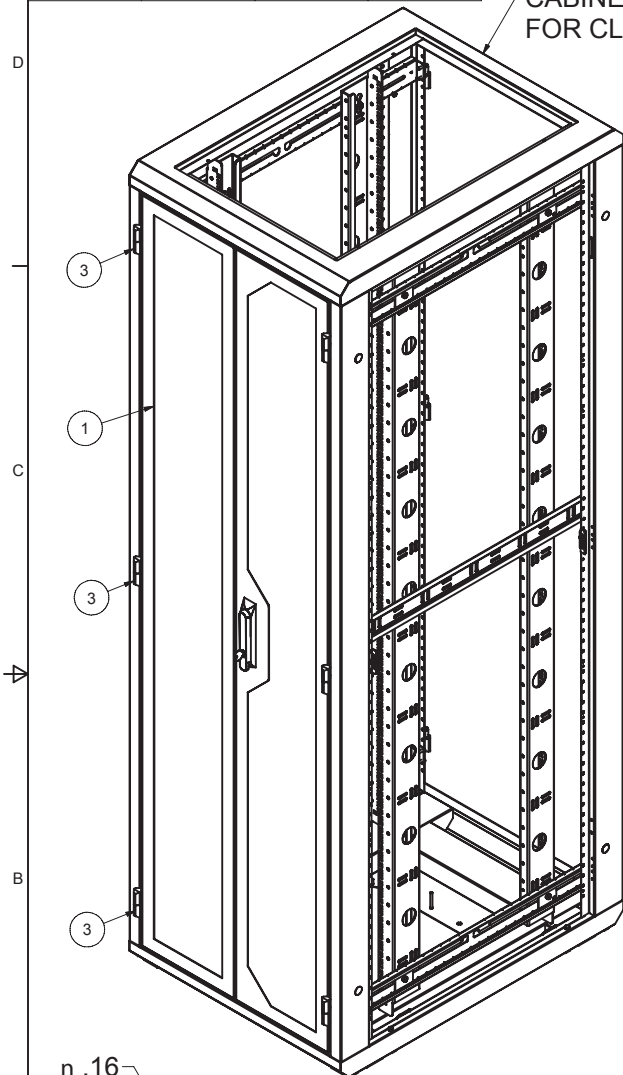
CABINET SHOWN FOR CLARITY



SHIP ITEMS #2 & 3 LOOSE AS A HARDWARE PACK

MESH PANELS (SEE DETAIL A)

3-POINT LATCHING HANDLE W/ KEYED LOCK



DOOR SPECIFICATIONS:

- DOOR AND MESH PANEL = 16 GA CRS
- DOOR COMPATIBLE WITH ALL GLCC OPTIONAL HANDLES. XHGLCC SWING HANDLE STANDARD.

INTERPRET DRAWING PER ASME Y14.5M-1994
 DIMENSIONAL LIMITS APPLY AFTER APPLICATION OF FINISH
 DRAWING NOT TO SCALE
 TOLERANCE UNLESS OTHERWISE NOTED:
 ANGULAR +/- 1°
 .XXXX +/- .010
 .XXX +/- .015
 .XX +/- .030
 X FOR REF. ONLY

NOTICE:

Use of this document is subject to a confidentiality and nondisclosure agreement with Great Lakes Case & Cabinet Co., Inc. (GLCC) and may not be reproduced, disclosed or utilized in whole or in part without prior written authorization from GLCC.

PART NUMBER: **7802E24SM**
 QTY PER UNIT: 1
 MATERIAL TYPE: -
 MATERIAL GAUGE: **#16 GA**
 FINISH: -
 DRAWN: CA DATE: 8/8/2008
 CHECKED & APP. DATE: 6/15/2007
 WSS

TITLE: **SPLIT-MESH DOOR SET, COMPLETE, FOR 78"H x 24"W ENHANCED ENCLOSURE**
GREAT LAKES CASE & CABINET CO., INC.
 P.O. BOX 551 EDINBORO, PA 16412
 PHONE (814) 734-7303 FAX (814) 734-3907
 E-MAIL glcc@greatcabinets.com

DWG NO: **I005478** REV: **3** SHEET: 1 OF 1



UNLESS OTHERWISE SPECIFIED ALL DIMENSIONS ARE IN INCHES