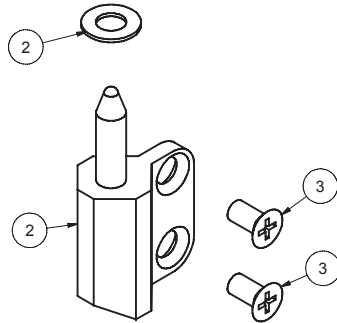
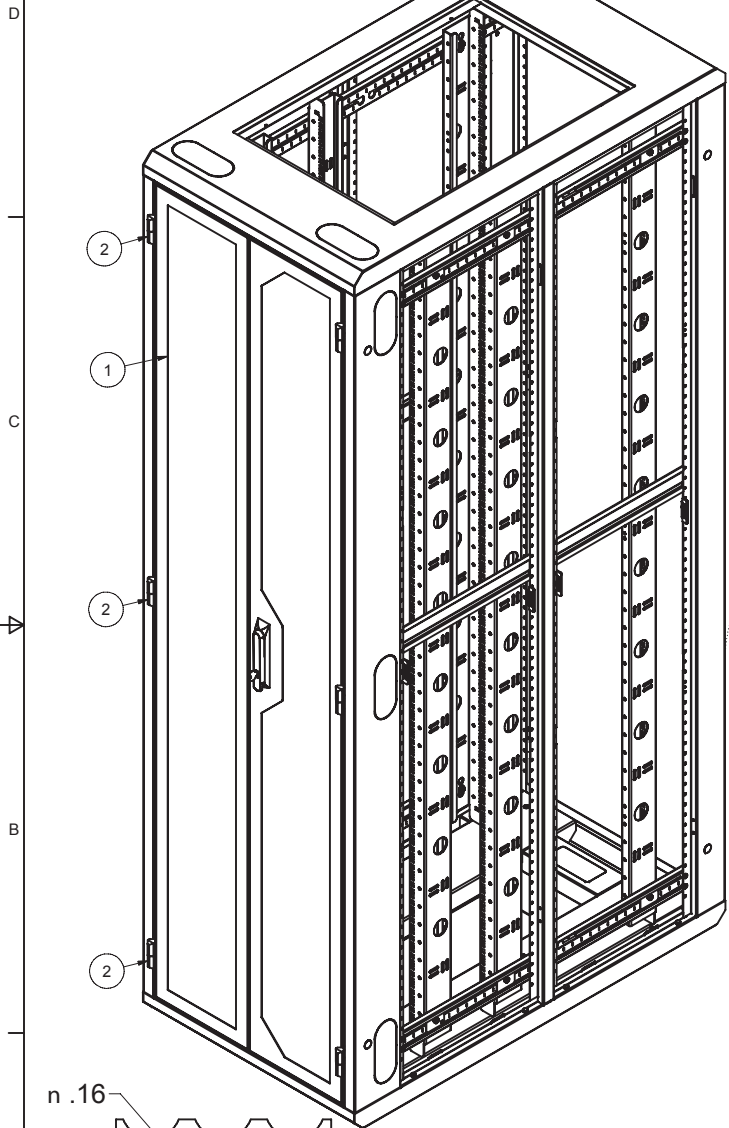


REVISION HISTORY			
REV	DESCRIPTION	DATE	APPROVED
1	ECO-01952	5/30/2007	WSS
2	ECO-02010	8/1/07	WSS
3	ECO-02345	8/8/08	FED

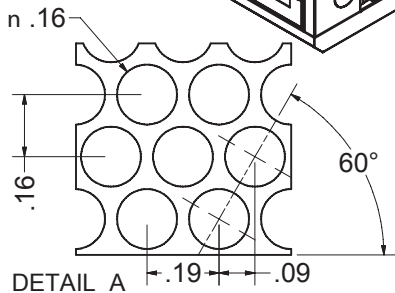
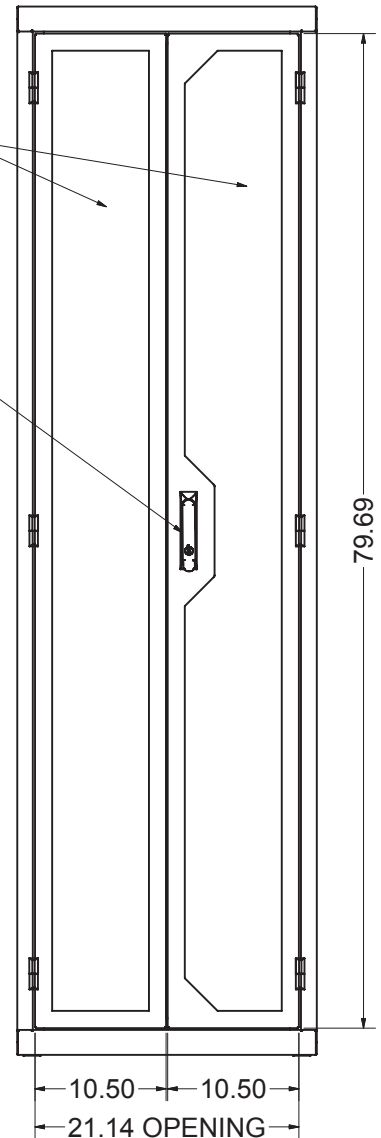
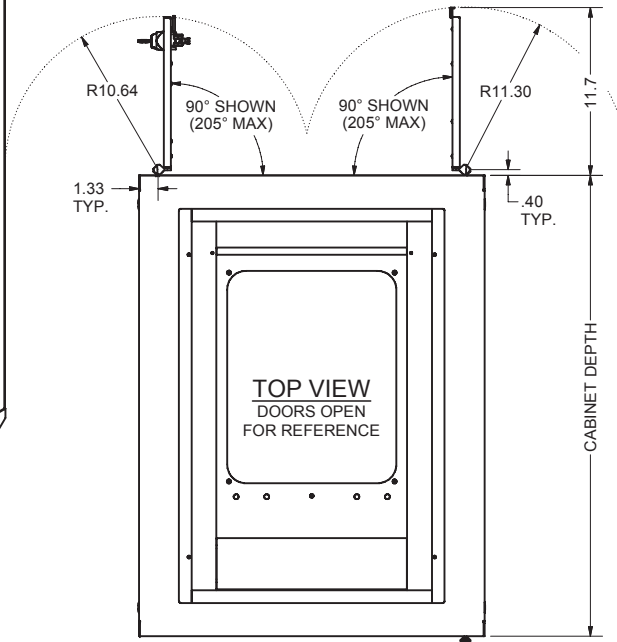
Bill of Material			DESCRIPTION	FILE NAME	REVISION
1		1	SPLIT MESH DOORS FOR 84H x 24W E	I005459.iam	2
2	HINGEM	3	HINGE, MALE PORTION, WITH WASHER	I000538.iam	0
3	H01-069	6	SCREW, 10-32x3/8" PH FLAT TYPE 23 BLACK OXIDE/WAX RoHS	SCR1032X375FHBLK23.ipt	



SHIP ITEMS #2 & 3 LOOSE AS HARDWARE PACK

3-POINT LATCHING HANDLE W/ KEYED LOCK

MESH PANELS (SEE DETAIL A)



DOOR SPECIFICATIONS:

- DOOR & MESH PANEL = 16 GA CRS
- DOOR COMPATIBLE WITH GLCC OPTIONAL HANDLES. XHGLCC SWING HANDLE STANDARD.

INTERPRET DRAWING PER ASME Y14.5M-1994
DIMENSIONAL LIMITS APPLY AFTER APPLICATION OF FINISH
DRAWING NOT TO SCALE
TOLERANCE UNLESS OTHERWISE NOTED:
ANGULAR +/- 1-
.XXXX +/- .010
.XXX +/- .015
.XX +/- .030
.X FOR REF. ONLY

NOTICE:
Use of this document is subject to a confidentiality and nondisclosure agreement with Great Lakes Case & Cabinet Co., Inc. (GLCC) and may not be reproduced, disclosed or utilized in whole or in part without prior written authorization from GLCC.

PART NUMBER:	8402E24SM
QTY PER UNIT:	1
MATERIAL TYPE:	-
MATERIAL GAUGE:	#16 GA
FINISH:	-
DRAWN	DATE
SCH	8/8/2008
CHECKED & APP.	DATE
WSS	5/30/2007

TITLE	SPLIT MESH DOORS FOR 84" X 24" W ENHANCED CABINET	
GREAT LAKES CASE & CABINET CO., INC.		
P.O. BOX 551 EDINBORO, PA 16412		
PHONE (814) 734-7303 FAX (814) 734-3907		
E-MAIL glcc@greatcabinets.com		
DWG NO:	REV	SHEET: 1 OF 1
I005458	3	



UNLESS OTHERWISE SPECIFIED ALL DIMENSIONS ARE IN INCHES