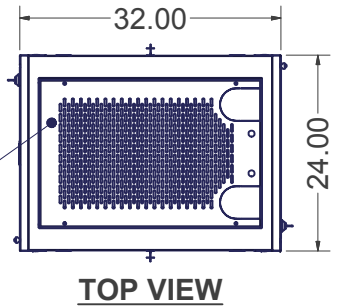


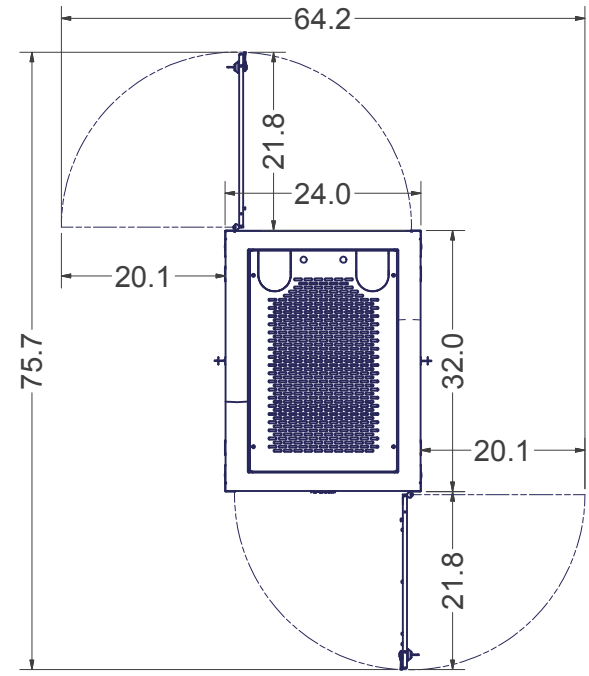
**DETAIL A**  
 3/8" SQUARE MTG. HOLES 19" EIA 310-E COMPLIANT (37 RMU)

REMOVABLE VENTED TOP PANEL WITH TWO 4" HORSESHOE KNOCKOUTS



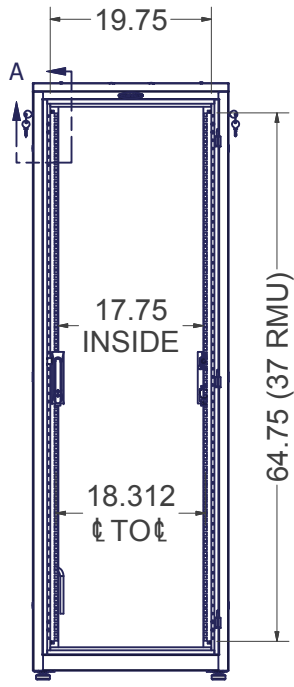
**TOP VIEW**

PERIMETER VENTED STEEL REAR DOOR WITH LOCKING SWING HANDLE FIELD REVERSIBLE DOOR HINGES (NO ADDITIONAL HARDWARE REQUIRED)

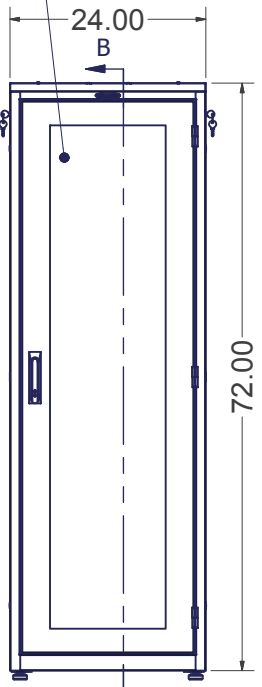


PLEXIGLAS FRONT DOOR WITH LOCKING SWING HANDLE FIELD REVERSIBLE DOOR HINGES (NO ADDITIONAL HARDWARE REQUIRED)

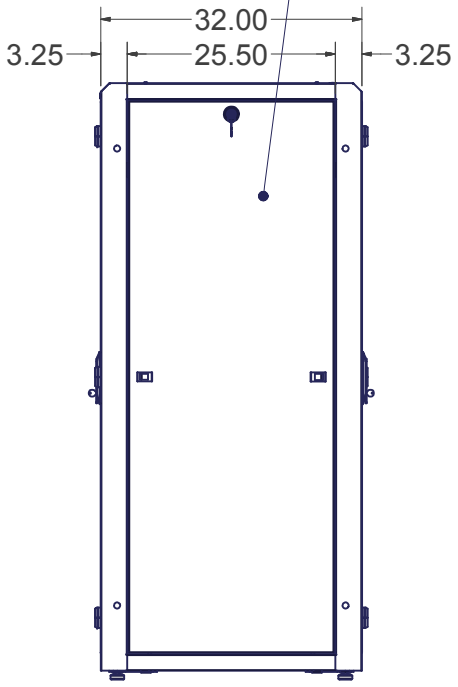
PAIR OF SOLID LIFT-OFF SIDE PANELS WITH LOCK



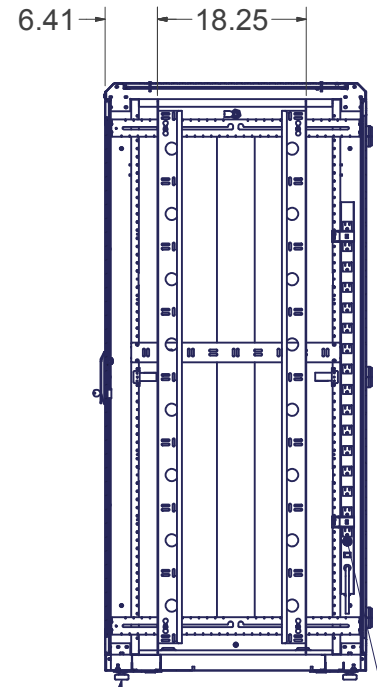
**FRONT VIEW DOORS REMOVED**



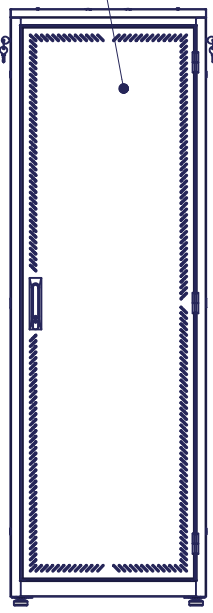
**FRONT VIEW**



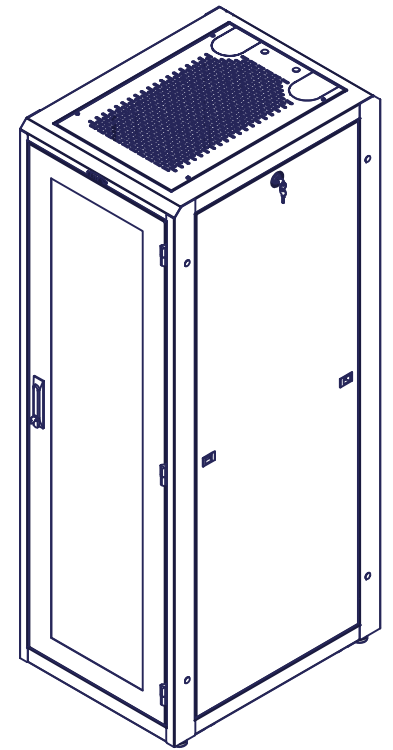
**RIGHT SIDE VIEW**



**SECTION B-B**

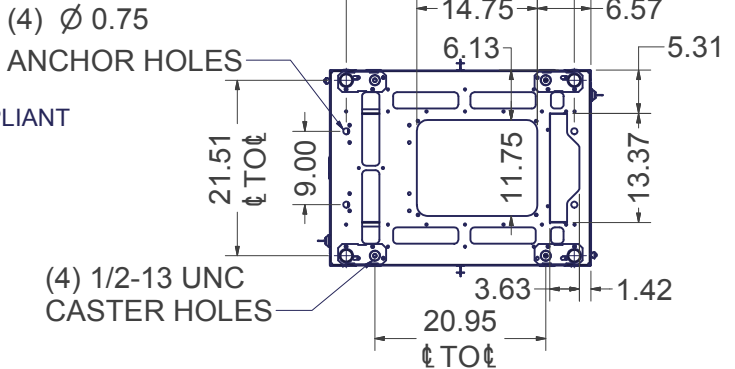


**REAR VIEW**



6 POSITION POWER STRIP 5-15R RECEPTACLE AND 5-15P PLUG

LEVELING GLIDES (4 INCLUDED) 1/2-13 UNC THREADED HOLES



**BOTTOM VIEW**

**SPECIFICATIONS:**

**DIMENSIONS:** 72"H X 24"W X 32"D

**RACK SPACES:** 37 RMU w/ NUMBERED RMU INDICATORS, 19" EIA 310-E COMPLIANT

**WEIGHT CAPACITY:** 1500 LBS.

**COLOR:** DURABLE TEXTURE POWDER COATING

**CONSTRUCTION:** 2 PAIR MOUNTING RAILS, #12 GA. C.R.S. FULLY WELDED FRAME, #16 GA. C.R.S. DOOR, SIDE PANELS, TOP PANEL, #16 GA. C.R.S.

**HARDWARE:** PACKAGE OF QTY-50; M6 SCREWS AND CAGE NUTS, INCLUDED.

EST. WEIGHT : 257.06 lbmass  
 THIRD ANGLE PROJECTION

|   |
|---|
| INTERPRET DRAWING PER ASME Y14.5M-1994                  |
| DIMENSIONAL LIMITS APPLY AFTER APPLICATION OF FINISH    |
| DRAWING NOT TO SCALE                                    |
| TOLERANCE UNLESS OTHERWISE NOTED:                       |
| ANGULAR +/- .1°   |
| .XXXX +/- .010  |
| .XXX +/- .015   |
| .XX +/- .030  |
| .X FOR REF. ONLY  |
| UNLESS OTHERWISE SPECIFIED ALL DIMENSIONS ARE IN INCHES |

**NOTICE:**

Use of this document is subject to a confidentiality and nondisclosure agreement with Great Lakes Case & Cabinet Co., Inc. (GLCC) and may not be reproduced, disclosed or utilized in whole or in part without prior written authorization from GLCC.

|                         |
|-------------------------|
| PART NUMBER: 720E-2432P |
| QTY PER UNIT: 1         |
| MATERIAL TYPE: CRS      |
| MATERIAL GAUGE:         |
| FINISH: POWDERCOAT      |
| DRAWN: CDM              |
| CHECKED & APP. WSS      |
| DATE: 3/12/2012         |
| DATE: 3/16/2012         |

|  |
|--|
| TITLE: 72"H x 24"W x 32"D ENHANCED BASE UNIT ASSEMBLY  |
| GREAT LAKES CASE & CABINET CO., INC. P.O. BOX 551 EDINBORO, PA 16412 PHONE (814) 734-7303 FAX (814) 734-3907 E-MAIL glcc@greatcabinets.com |
| DWG NO: 720E-2432P   |
| REV: 0   |
| SHEET: 1 OF 1  |