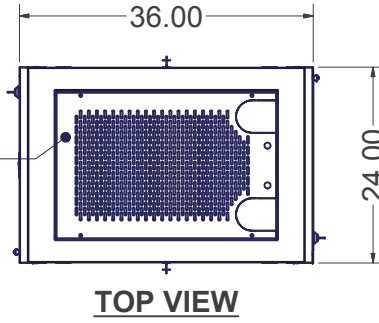
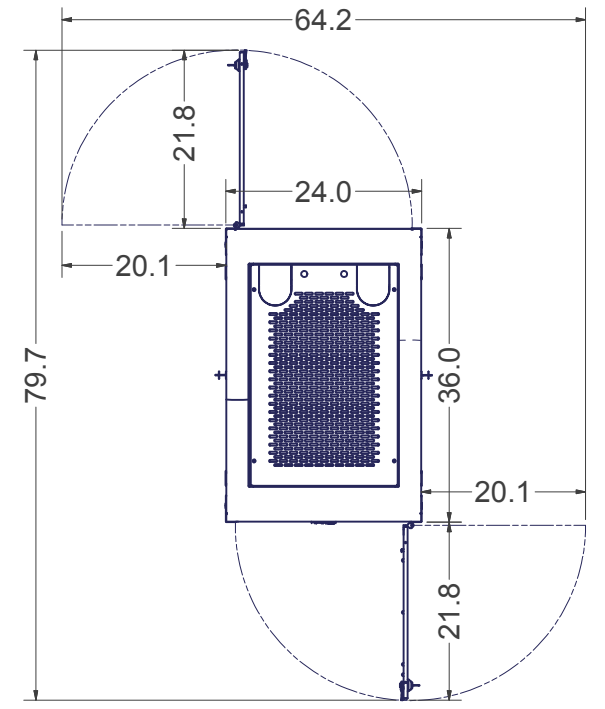


DETAIL A
3/8" SQUARE MTG. HOLES 19" EIA 310-E COMPLIANT (37 RMU)

REMOVABLE VENTED TOP PANEL WITH TWO 4" HORSESHOE KNOCKOUTS

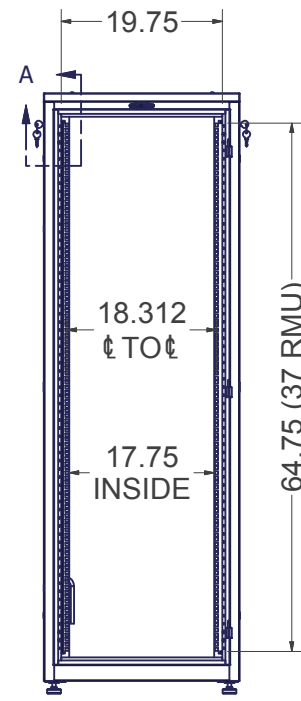


PERIMETER VENTED STEEL REAR DOOR WITH LOCKING SWING HANDLE FIELD REVERSIBLE DOOR HINGES (NO ADDITIONAL HARDWARE REQUIRED)



PLEXIGLAS FRONT DOOR WITH LOCKING SWING HANDLE FIELD REVERSIBLE DOOR HINGES (NO ADDITIONAL HARDWARE REQUIRED)

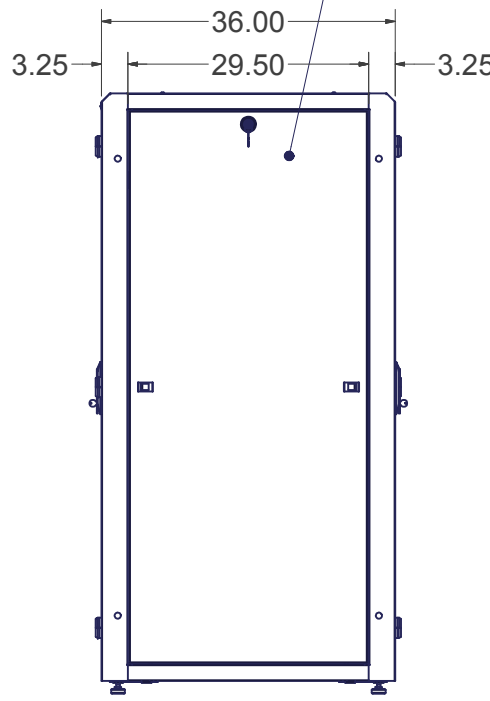
PAIR OF SOLID LIFT-OFF SIDE PANELS WITH LOCK



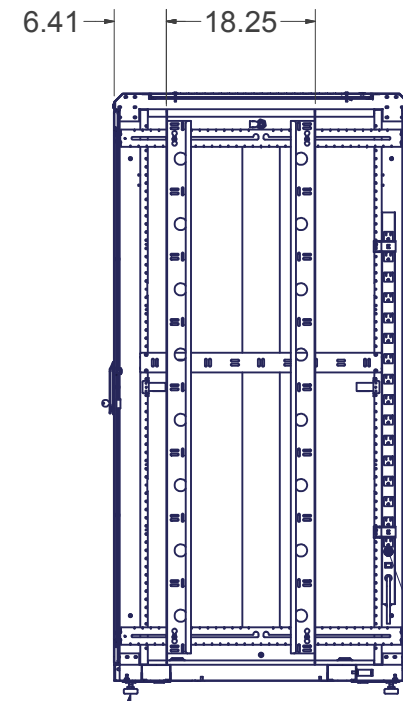
FRONT VIEW w/ DOORS REMOVED



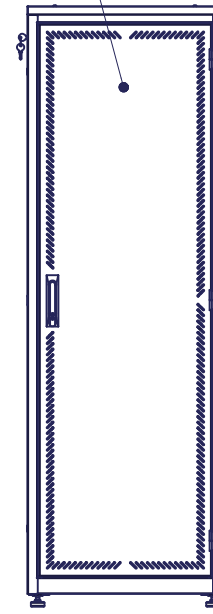
FRONT VIEW



RIGHT SIDE VIEW



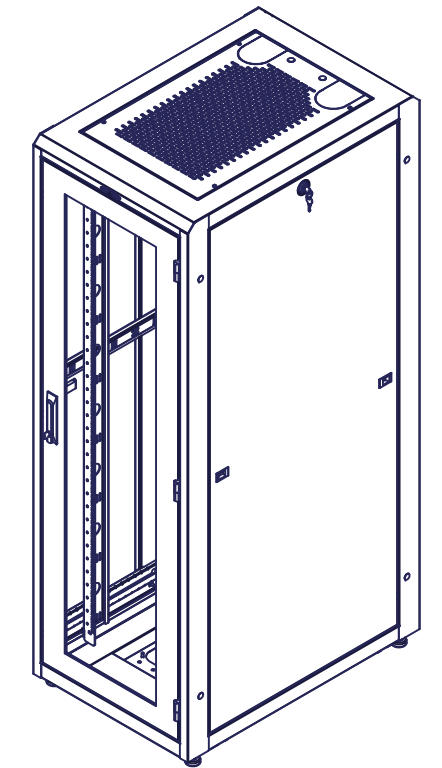
SECTION B-B



REAR VIEW

6 POSITION POWER STRIP 5-15R RECEPTACLE AND 5-15P PLUG

LEVELING GLIDES (4 INCLUDED) 1/2-13 UNC THREADED HOLES



SPECIFICATIONS:

DIMENSIONS: 72"H X 24"W X 36"D

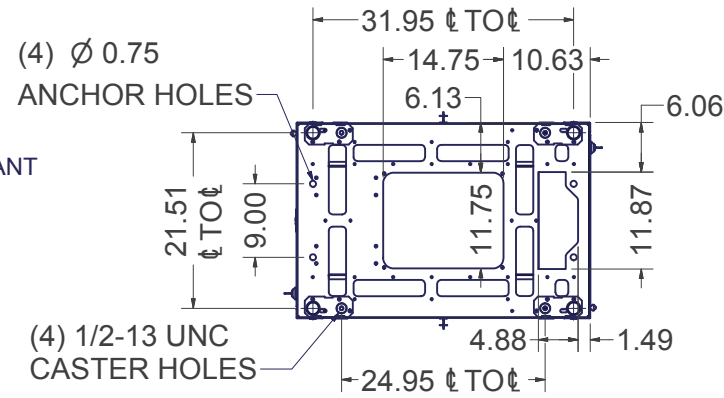
RACK SPACES: 37 RMU w/ NUMBERED RMU INDICATORS, 19" EIA 310-E COMPLIANT

WEIGHT CAPACITY: 1500 LBS.

COLOR: DURABLE TEXTURE POWDER COATING

CONSTRUCTION: 2 PAIR MOUNTING RAILS, #12 GA. C.R.S. FULLY WELDED FRAME, #16 GA. C.R.S. DOOR, SIDE PANELS, TOP PANEL, #16 GA. C.R.S.

HARDWARE: PACKAGE OF QTY-50; M6 SCREWS AND CAGE NUTS, INCLUDED.



BOTTOM VIEW

(4) Ø 0.75 ANCHOR HOLES
(4) 1/2-13 UNC CASTER HOLES

EST. WEIGHT : 272.76 lbmass
THIRD ANGLE PROJECTION

INTERPRET DRAWING PER ASME Y14.5M-1994
DIMENSIONAL LIMITS APPLY AFTER APPLICATION OF FINISH
DRAWING NOT TO SCALE
TOLERANCE UNLESS OTHERWISE NOTED:
ANGULAR +/- .1°
.XXXX +/- .010
.XXX +/- .015
.XX +/- .030
.X FOR REF. ONLY
UNLESS OTHERWISE SPECIFIED ALL DIMENSIONS ARE IN INCHES

NOTICE:

Use of this document is subject to a confidentiality and nondisclosure agreement with Great Lakes Case & Cabinet Co., Inc. (GLCC) and may not be reproduced, disclosed or utilized in whole or in part without prior written authorization from GLCC.

PART NUMBER: 720E-2436P
QTY PER UNIT: 1
MATERIAL TYPE: CRS
MATERIAL GAUGE:
FINISH: POWDERCOAT
DRAWN: CDM DATE: 3/12/2012
CHECKED & APP. WSS DATE: 3/16/2012

TITLE: 72"H x 24"W x 36"D ENHANCED BASE UNIT ASSEMBLY
GREAT LAKES CASE & CABINET CO., INC. P.O. BOX 551 EDINBORO, PA 16412 PHONE (814) 734-7303 FAX (814) 734-3907 E-MAIL glcc@greatcabinets.com
DWG NO: 720E-2436P
REV: 0
SHEET: 1 OF 1