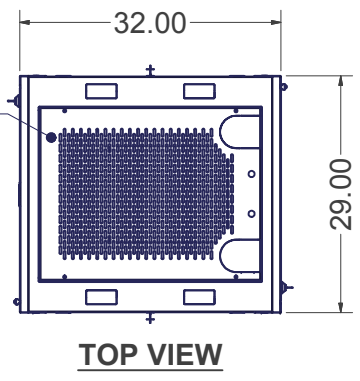
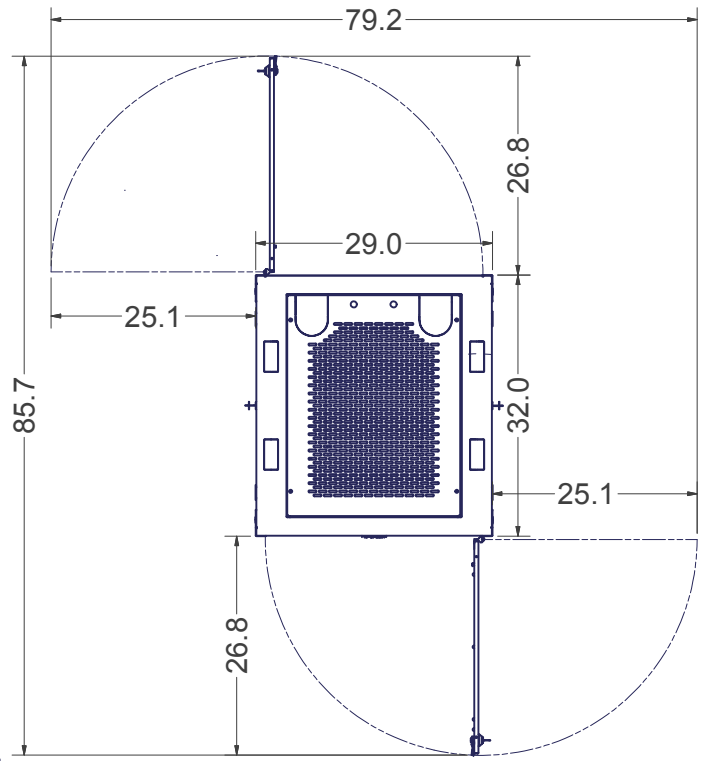


REMOVABLE VENTED TOP PANEL WITH TWO 4\"/>



PERIMETER VENTED STEEL REAR DOOR WITH LOCKING SWING HANDLE FIELD REVERSIBLE DOOR HINGES (NO ADDITIONAL HARDWARE REQUIRED)

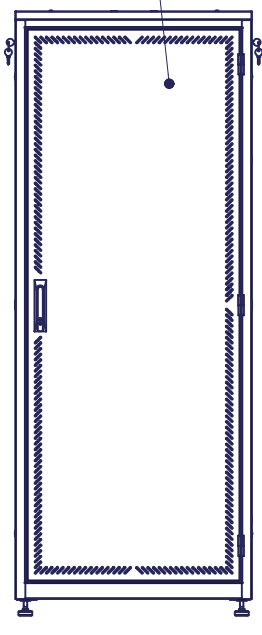
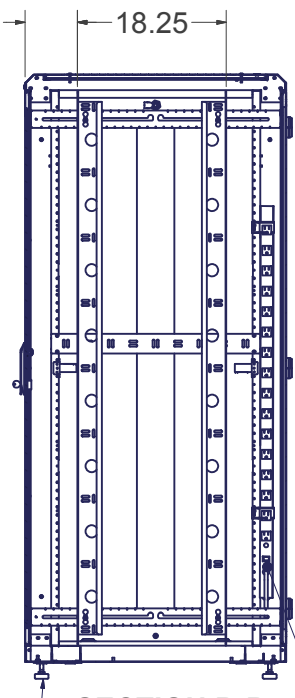
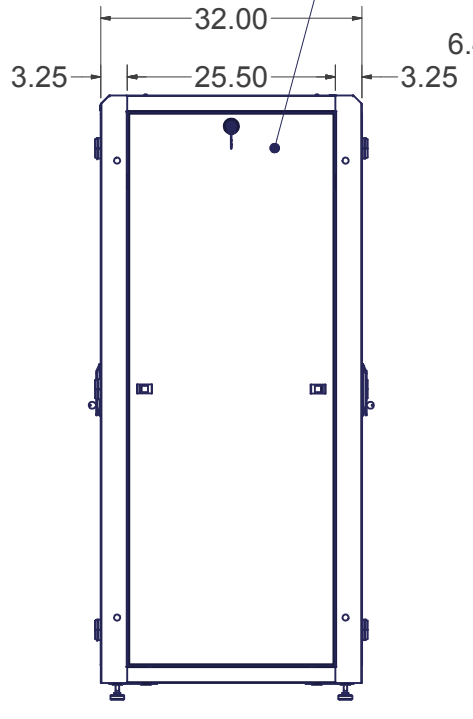
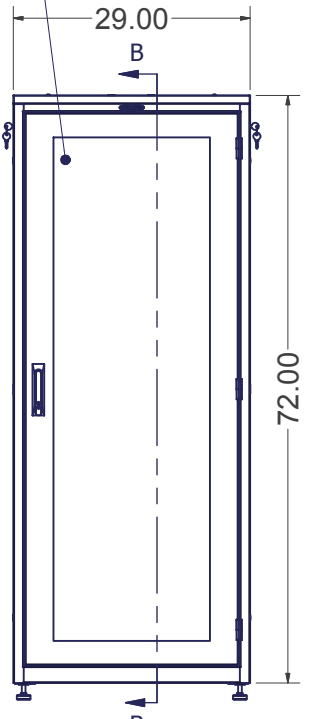
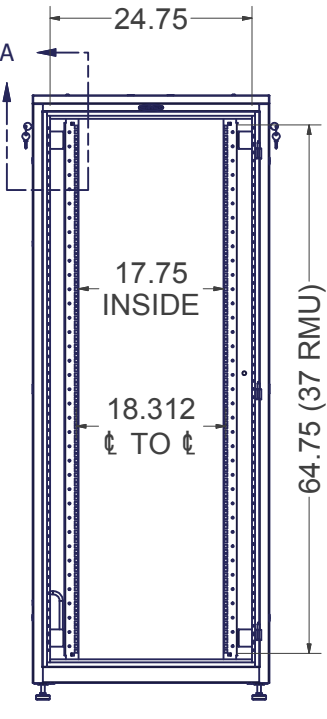


DETAIL A

TOP VIEW

PLEXIGLAS FRONT DOOR WITH LOCKING SWING HANDLE FIELD REVERSIBLE DOOR HINGES (NO ADDITIONAL HARDWARE REQUIRED)

PAIR OF SOLID LIFT-OFF SIDE PANELS WITH LOCK



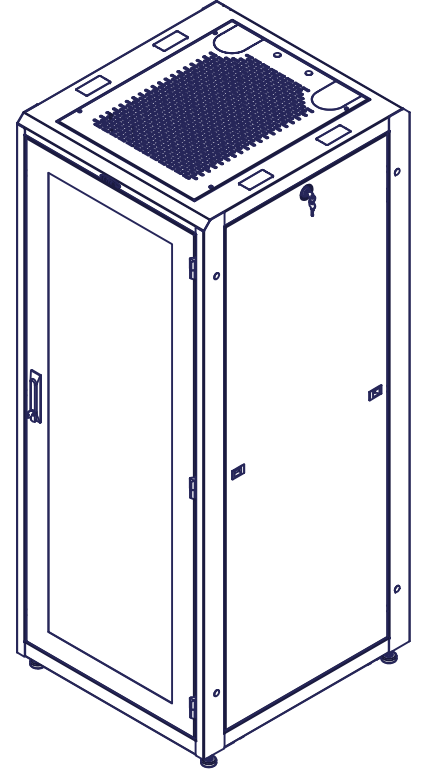
FRONT VIEW w/ DOORS REMOVED

FRONT VIEW

RIGHT SIDE VIEW

SECTION B-B

REAR VIEW



6 POSITION POWER STRIP 5-15R RECEPTACLE AND 5-15P PLUG

LEVELING GLIDES (4 INCLUDED) 1/2-13 UNC THREADED HOLES

SPECIFICATIONS:

DIMENSIONS: 72"H X 24"W X 36"D

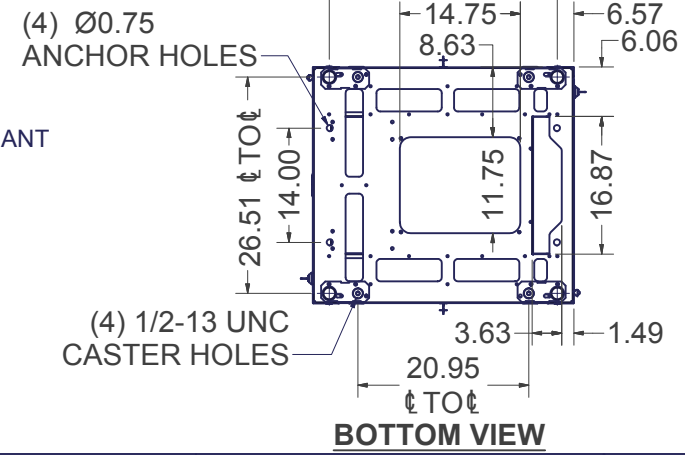
RACK SPACES: 37 RMU w/ NUMBERED RMU INDICATORS, 19" EIA 310-E COMPLIANT

WEIGHT CAPACITY: 1500 LBS.

COLOR: DURABLE TEXTURE POWDER COATING

CONSTRUCTION: 2 PAIR MOUNTING RAILS, #12 GA. C.R.S. FULLY WELDED FRAME, #16 GA. C.R.S. DOOR, SIDE PANELS, TOP PANEL, #16 GA. C.R.S.

HARDWARE: PACKAGE OF QTY-50; M6 SCREWS AND CAGE NUTS, INCLUDED.



BOTTOM VIEW

EST. WEIGHT : 273.18 lbmass

INTERPRET DRAWING PER ASME Y14.5M-1994
DIMENSIONAL LIMITS APPLY AFTER APPLICATION OF FINISH
DRAWING NOT TO SCALE
TOLERANCE UNLESS OTHERWISE NOTED:
ANGULAR +/- .1°
.XXXX +/- .010
.XXX +/- .015
.XX +/- .030
.X FOR REF. ONLY
UNLESS OTHERWISE SPECIFIED ALL DIMENSIONS ARE IN INCHES

NOTICE:

Use of this document is subject to a confidentiality and nondisclosure agreement with Great Lakes Case & Cabinet Co., Inc. (GLCC) and may not be reproduced, disclosed or utilized in whole or in part without prior written authorization from GLCC.

PART NUMBER: 720E-2932P	TITLE: BASE UNIT 72"H x 29"W x 32"D ENHANCED BASE UNIT ASSEMBLY
QTY PER UNIT: 1	GREAT LAKES CASE & CABINET CO., INC.
MATERIAL TYPE: CRS	P.O. BOX 551 EDINBORO, PA 16412
MATERIAL GAUGE:	PHONE (814) 734-7303 FAX (814) 734-3907
FINISH: POWDERCOAT	E-MAIL glcc@greatcabinets.com
DRAWN: CDM	DWG NO: 720E-2932P
CHECKED & APP. WSS	REV: 0
DATE: 3/12/2012	SHEET: 1 OF 1
DATE: 3/16/2012	