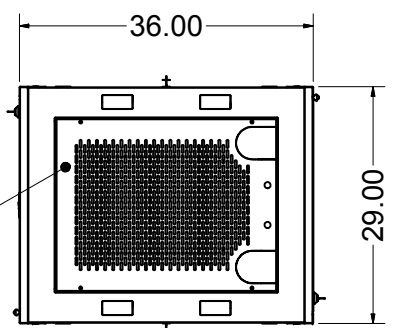


DETAIL A

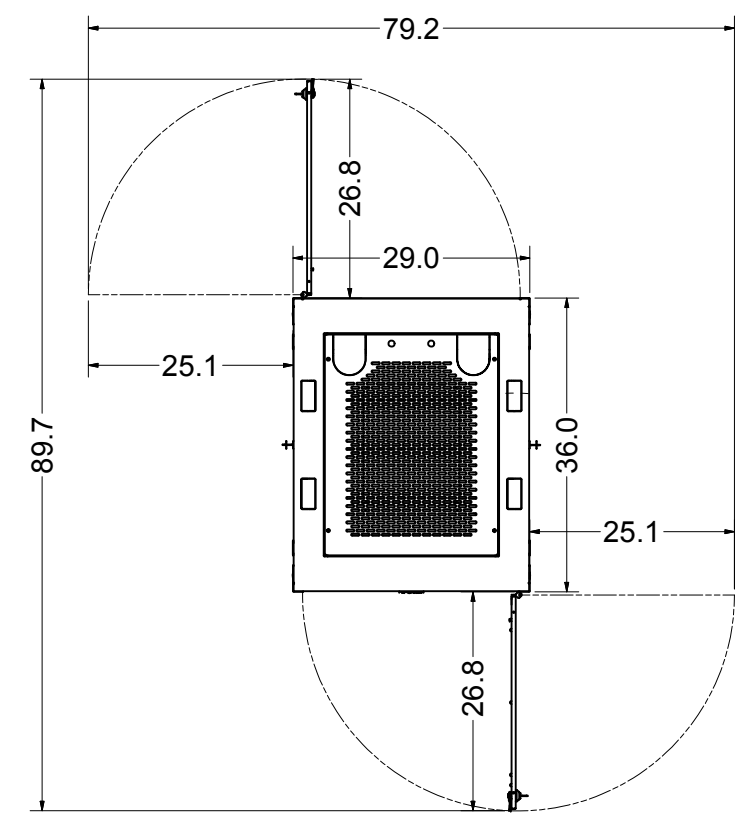
3/8" SQUARE MTG. HOLES 19" EIA 310-E COMPLIANT (37 RMU)

REMOVABLE VENTED TOP PANEL WITH TWO 4" HORSESHOE KNOCKOUTS



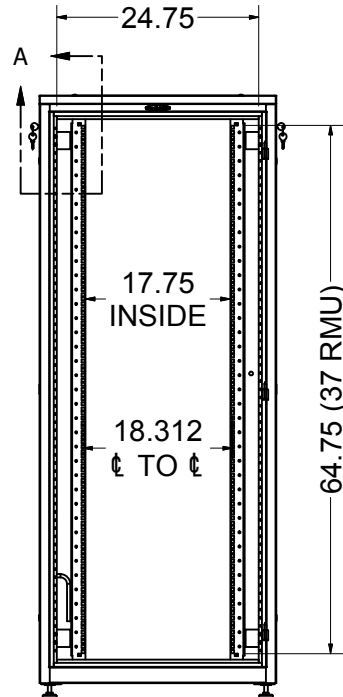
TOP VIEW

PERIMETER VENTED STEEL REAR DOOR WITH LOCKING SWING HANDLE FIELD REVERSIBLE DOOR HINGES (NO ADDITIONAL HARDWARE REQUIRED)

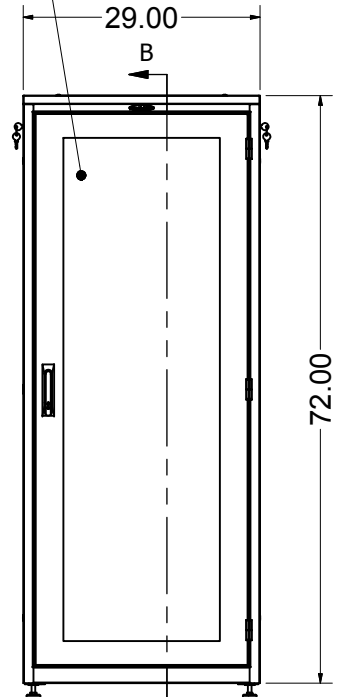


PLEXIGLAS FRONT DOOR WITH LOCKING SWING HANDLE FIELD REVERSIBLE DOOR HINGES (NO ADDITIONAL HARDWARE REQUIRED)

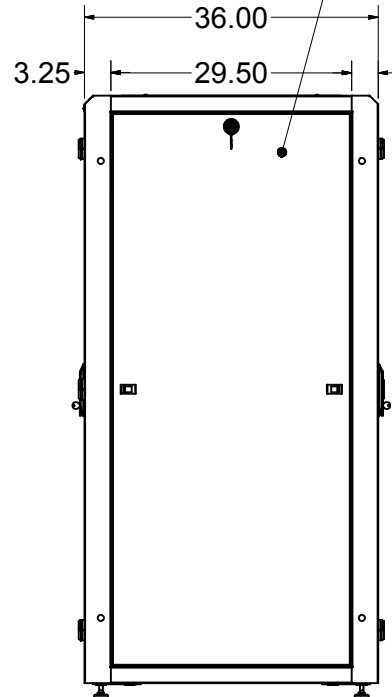
PAIR OF SOLID LIFT-OFF SIDE PANELS WITH LOCK



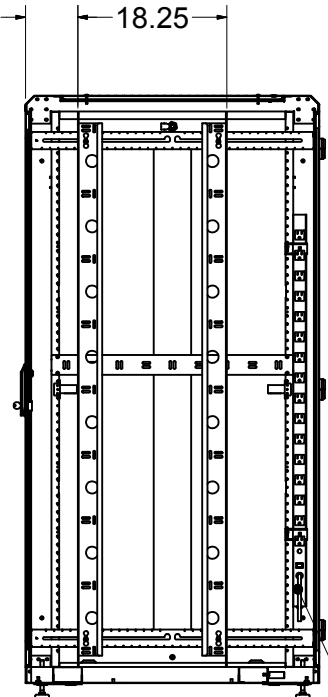
FRONT VIEW w/ DOORS REMOVED



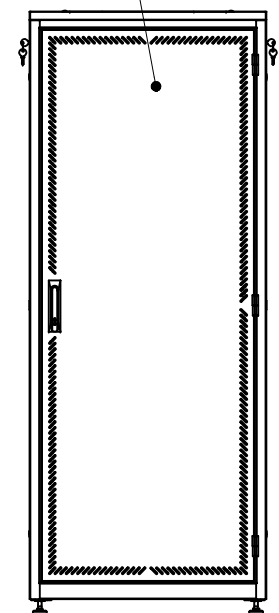
FRONT VIEW



RIGHT SIDE VIEW



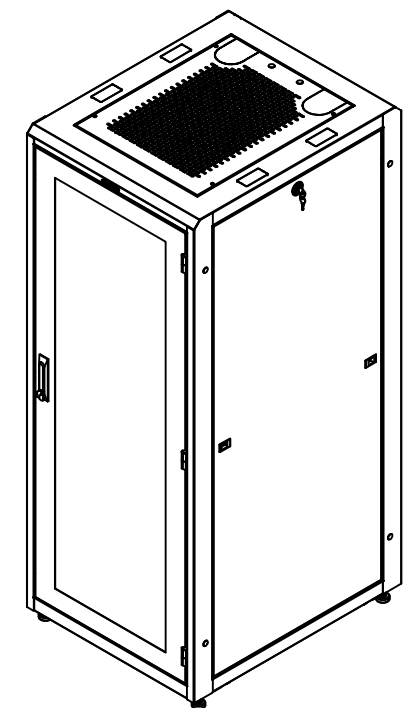
SECTION B-B



REAR VIEW

16 POSITION POWER STRIP 5-15R RECEPTACLE AND 5-15P PLUG

LEVELING GLIDES (4 INCLUDED) 1/2-13 UNC THREADED HOLES



SPECIFICATIONS:

DIMENSIONS: 72"H X 29"W X 36"D

RACK SPACES: 37 RMU w/ NUMBERED RMU INDICATORS, 19" EIA 310-E COMPLIANT

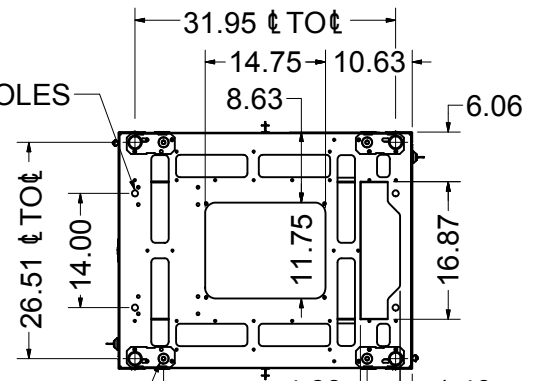
WEIGHT CAPACITY: 1500 LBS.

COLOR: DURABLE TEXTURE POWDER COATING

CONSTRUCTION: 2 PAIR MOUNTING RAILS, #12 GA. C.R.S. FULLY WELDED FRAME, #16 GA. C.R.S. DOOR, SIDE PANELS, TOP PANEL, #16 GA. C.R.S.

HARDWARE: PACKAGE OF QTY-50; M6 SCREWS AND CAGE NUTS, INCLUDED.

(4) Ø0.75 ANCHOR HOLES



BOTTOM VIEW

(4) 1/2-13 UNC CASTER HOLES



INTERPRET DRAWING PER ASME Y14.5M-1994	
DIMENSIONAL LIMITS APPLY AFTER APPLICATION OF FINISH	
DRAWING NOT TO SCALE	
TOLERANCE UNLESS OTHERWISE NOTED:	
ANGULAR +/-	1°
XXXX +/-	.010
XXX +/-	.015
XX +/-	.030
X FOR REF. ONLY	
EST. WEIGHT:	N/A
THIRD ANGLE PROJECTION	UNLESS OTHERWISE SPECIFIED ALL DIMENSIONS ARE IN INCHES

NOTICE:

Use of this document is subject to a confidentiality and nondisclosure agreement with Great Lakes Case & Cabinet Co., Inc. (GLCC) and may not be reproduced, disclosed or utilized in whole or in part without prior written authorization from GLCC.

PART NUMBER:	720E-2936P
QTY PER UNIT:	1
MATERIAL TYPE:	CRS
MATERIAL GAUGE:	
FINISH:	POWDERCOAT
DRAWN:	CDM
CHECKED & APP.:	WSS
DATE:	3/12/2012
DATE:	3/16/2012

TITLE		72"H x 29"W x 36"D ENHANCED BASE UNIT ASSEMBLY	
GREAT LAKES CASE & CABINET CO., INC.		P.O. BOX 551 EDINBORO, PA 16412	
PHONE (814) 734-7303 FAX (814) 734-3907		E-MAIL glcc@greatcabinets.com	
DWG NO:	720E-2936P	REV	
SHEET: 1 OF 1			