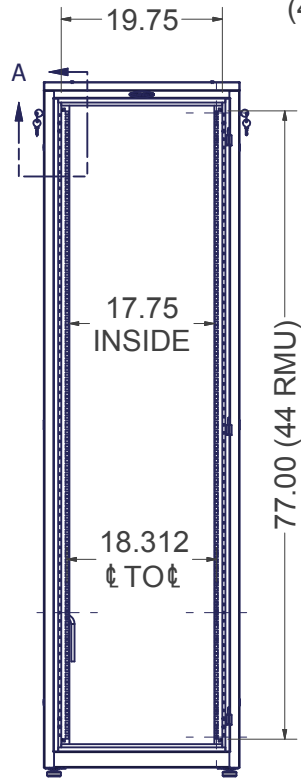


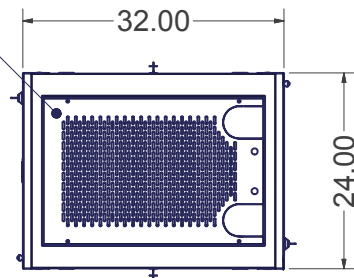
DETAIL A

3/8" SQUARE MTG. HOLES 19" EIA 310-E COMPLIANT (44 RMU)



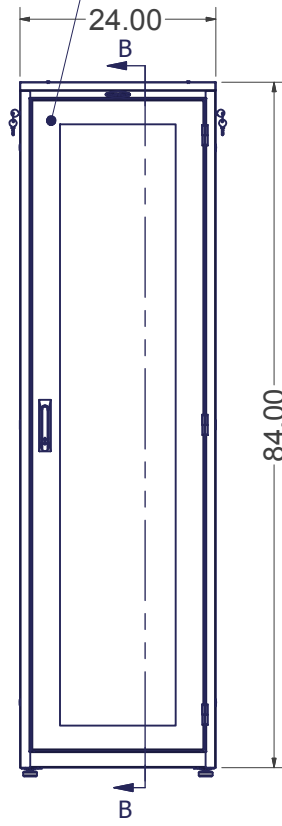
FRONT VIEW w/ DOORS REMOVED

REMOVABLE VENTED TOP PANEL w/ TWO 4" HORSESHOE KNOCKOUTS



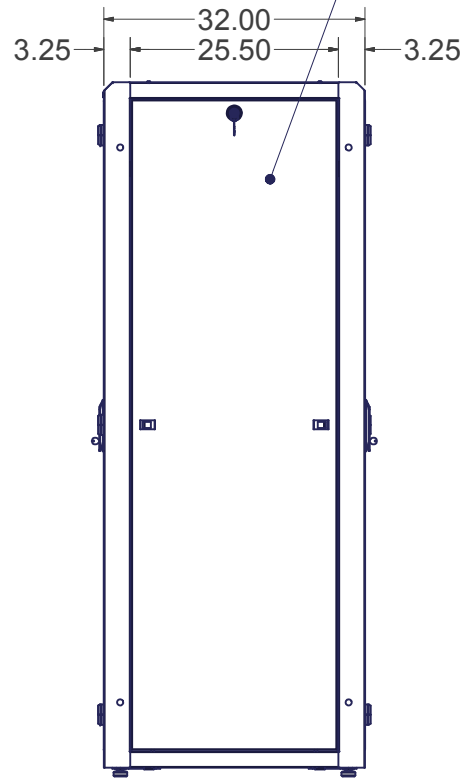
TOP VIEW

PLEXIGLAS FRONT DOOR WITH LOCKING SWING HANDLE FIELD REVERSIBLE DOOR HINGES (NO ADDITIONAL HARDWARE REQUIRED)

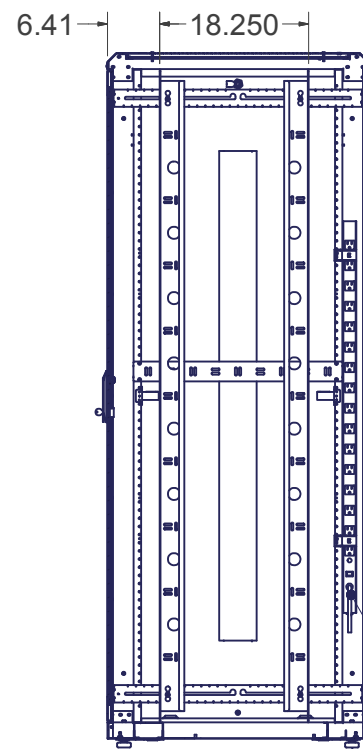


FRONT VIEW

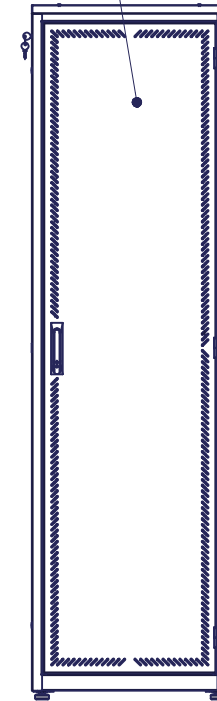
PAIR OF SOLID LIFT-OFF SIDE PANELS WITH LOCK



RIGHT SIDE VIEW

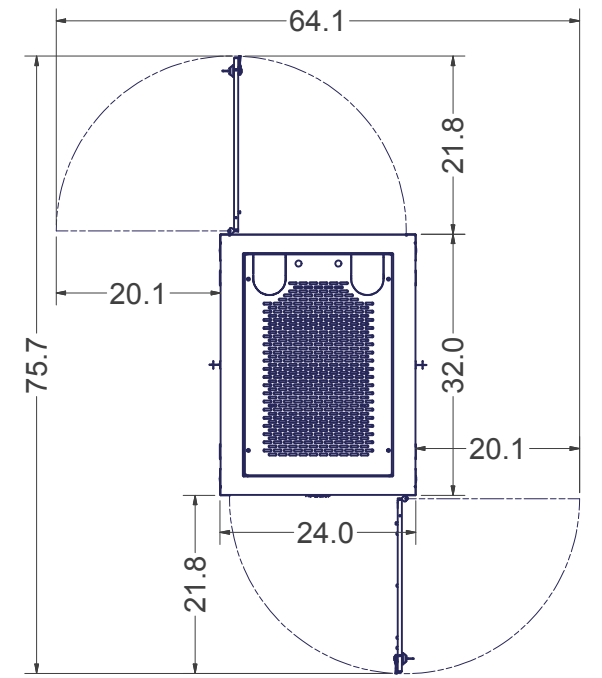


SECTION B-B



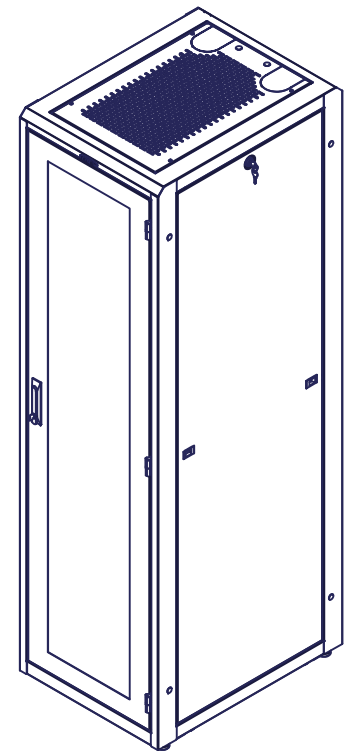
REAR VIEW

PERIMETER VENTED STEEL REAR DOOR WITH LOCKING SWING HANDLE FIELD-REVERSIBLE DOOR HINGES (NO ADDITIONAL HARDWARE REQUIRED)



6 POSITION POWER STRIP 5-15R RECEPTACLE AND 5-15P PLUG

LEVELING GLIDES (4 INCLUDED) 1/2-13 UNC THREADED HOLES



SPECIFICATIONS:

DIMENSIONS: 84"H X 24"W X 32"D

RACK SPACES: 44 RMU w/ NUMBERED RMU INDICATORS, 19" EIA 310-E COMPLIANT

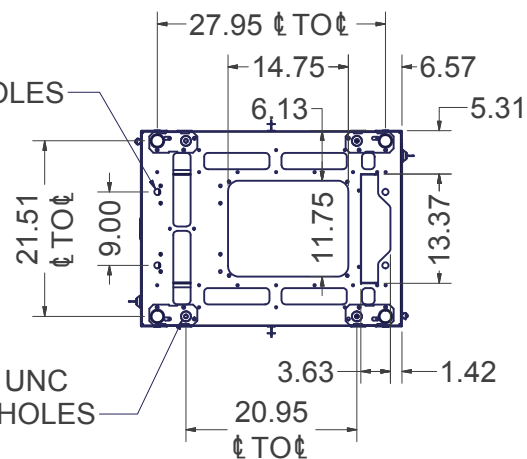
WEIGHT CAPACITY: 1500 LBS.

COLOR: DURABLE TEXTURE POWDER COATING

CONSTRUCTION: 2 PAIR MOUNTING RAILS, #12 GA. C.R.S. FULLY WELDED FRAME, #16 GA. C.R.S. DOOR, SIDE PANELS, TOP PANEL, #16 GA. C.R.S.

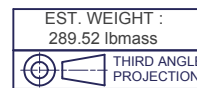
HARDWARE: PACKAGE OF QTY-50; M6 SCREWS AND CAGE NUTS, INCLUDED.

(4) Ø0.75 ANCHOR HOLES



BOTTOM VIEW

(4) 1/2-13 UNC CASTER HOLES



EST. WEIGHT : 289.52 lbmass

INTERPRET DRAWING PER ASME Y14.5M-1994
DIMENSIONAL LIMITS APPLY AFTER APPLICATION OF FINISH
DRAWING NOT TO SCALE
TOLERANCE UNLESS OTHERWISE NOTED:
ANGULAR +/- 1°
.XXXX +/- .010
.XXX +/- .015
.XX +/- .030
.X FOR REF. ONLY

UNLESS OTHERWISE SPECIFIED ALL DIMENSIONS ARE IN INCHES

NOTICE:

Use of this document is subject to a confidentiality and nondisclosure agreement with Great Lakes Case & Cabinet Co., Inc. (GLCC) and may not be reproduced, disclosed or utilized in whole or in part without prior written authorization from GLCC.

PART NUMBER: 840E-2432P
QTY PER UNIT: 1
MATERIAL TYPE: CRS
MATERIAL GAUGE:
FINISH: POWDERCOAT
DRAWN: CDM
CHECKED & APP. WSS
DATE: 3/13/2012
DATE: 3/16/2012

TITLE: 84"H x 24"W x 32"D ENHANCED BASE UNIT ASSEMBLY
GREAT LAKES CASE & CABINET CO., INC. P.O. BOX 551 EDINBORO, PA 16412 PHONE (814) 734-7303 FAX (814) 734-3907 E-MAIL glcc@greatcabinets.com
DWG NO: 840E-2432P
REV: 0
SHEET: 1 OF 1