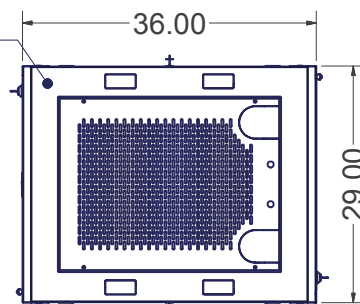
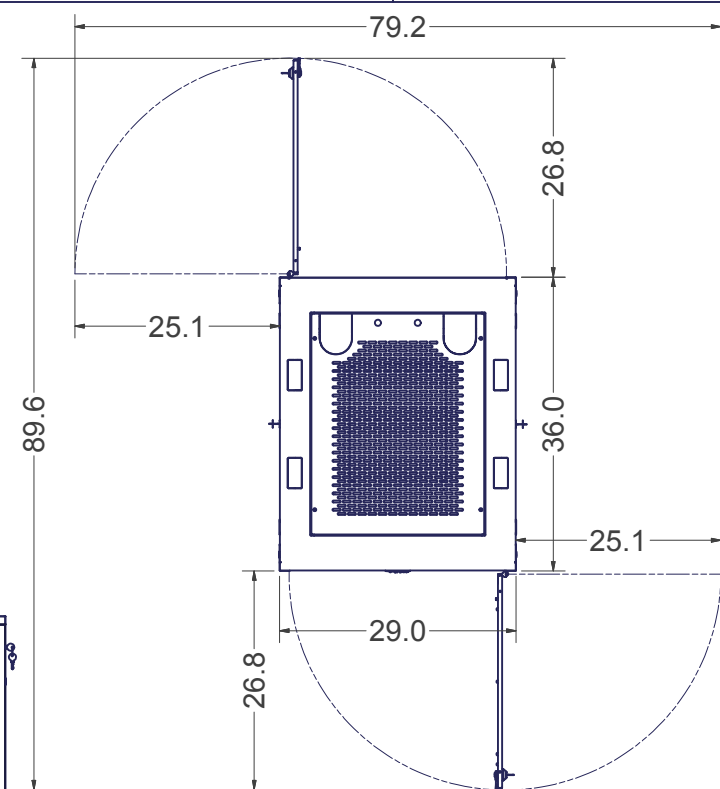


REMOVABLE VENTED TOP PANEL WITH TWO 4" HORSESHOE KNOCKOUTS

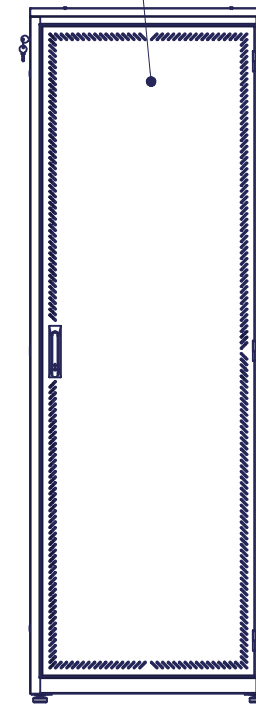
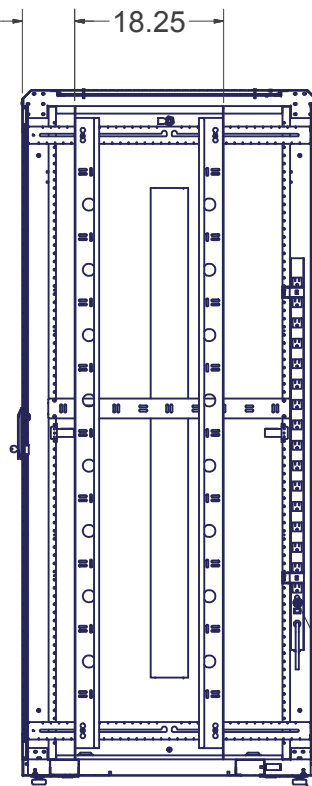
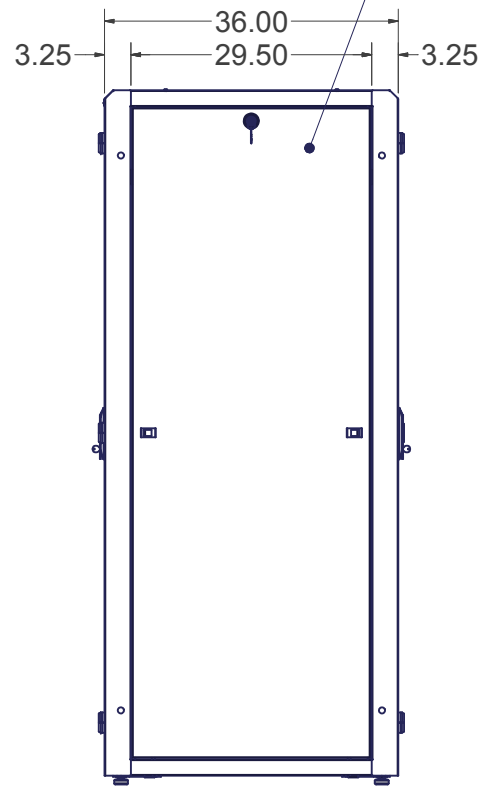
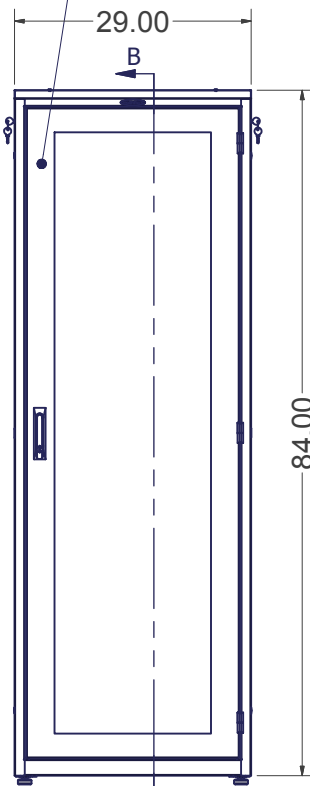
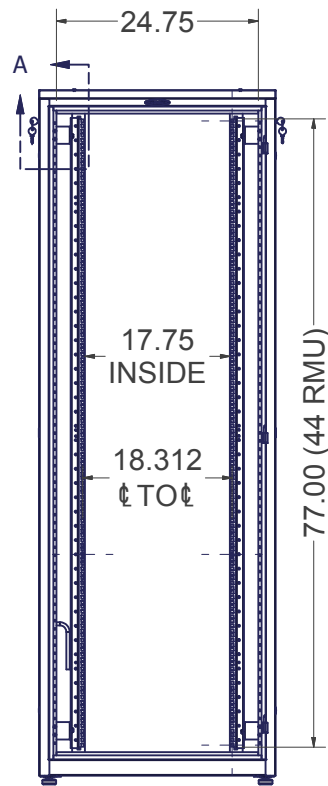


PERIMETER VENTED STEEL REAR DOOR WITH LOCKING SWING HANDLE  
FIELD REVERSIBLE DOOR HINGES (NO ADDITIONAL HARDWARE REQUIRED)



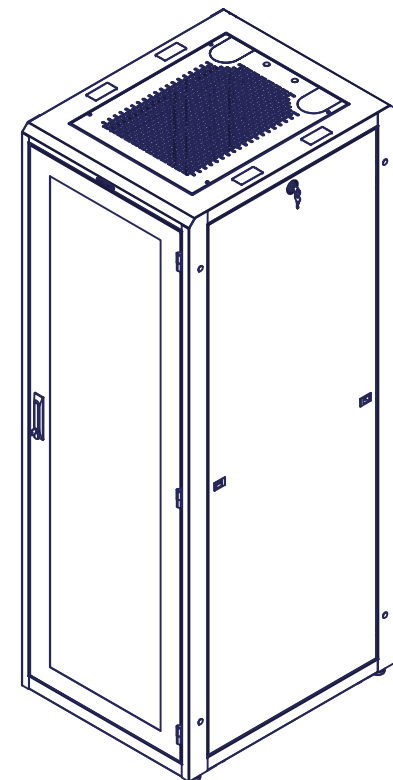
PLEXIGLAS FRONT DOOR WITH LOCKING SWING HANDLE  
FIELD REVERSIBLE DOOR HINGES (NO ADDITIONAL HARDWARE REQUIRED)

PAIR OF SOLID LIFT-OFF SIDE PANELS WITH LOCK



6 POSITION POWER STRIP, 5-15R RECEPTACLE WITH 5-15P PLUG

LEVELING GLIDES (4 INCLUDED)  
1/2-13 UNC THREADED HOLES



**SPECIFICATIONS:**

**DIMENSIONS:** 84"H X 29"W X 36"D

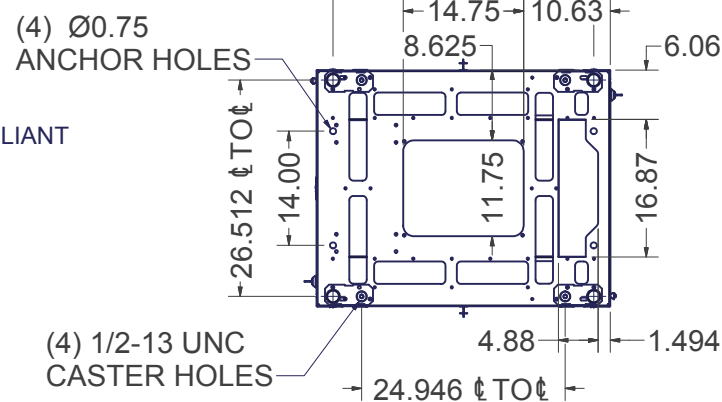
**RACK SPACES:** 44 RMU w/ NUMBERED RMU INDICATORS, 19" EIA 310-E COMPLIANT

**WEIGHT CAPACITY:** 1500 LBS.

**COLOR:** DURABLE TEXTURE POWDER COATING

**CONSTRUCTION:** 2 PAIR MOUNTING RAILS, #12 GA. C.R.S.  
FULLY WELDED FRAME, #16 GA. C.R.S.  
DOOR, SIDE PANELS, TOP PANEL, #16 GA. C.R.S.

**HARDWARE:** PACKAGE OF QTY-50; M6 SCREWS AND CAGE NUTS, INCLUDED.



EST. WEIGHT :  
324 lbs N/A

INTERPRET DRAWING PER ASME Y14.5M-1994
DIMENSIONAL LIMITS APPLY AFTER APPLICATION OF FINISH
DRAWING NOT TO SCALE
TOLERANCE UNLESS OTHERWISE NOTED:
ANGULAR +/- .1°
.XXXX +/- .010
.XXX +/- .015
.XX +/- .030
.X FOR REF. ONLY
UNLESS OTHERWISE SPECIFIED ALL DIMENSIONS ARE IN INCHES

**NOTICE:**

Use of this document is subject to a confidentiality and nondisclosure agreement with Great Lakes Case & Cabinet Co., Inc. (GLCC) and may not be reproduced, disclosed or utilized in whole or in part without prior written authorization from GLCC.

PART NUMBER:	840E-2936P
QTY PER UNIT:	1
MATERIAL TYPE:	CRS
MATERIAL GAUGE:	
FINISH:	POWDERCOAT
DRAWN:	DATE
CDM	3/13/2012
CHECKED & APP.:	DATE
WSS	3/16/2012

TITLE	84"H x 29"W x 36"D ENHANCED BASE UNIT ASSEMBLY	
GREAT LAKES CASE & CABINET CO., INC.		
P.O. BOX 551 EDINBORO, PA 16412		
PHONE (814) 734-7303 FAX (814) 734-3907		
E-MAIL glcc@greatcabinets.com		
DWG NO:	REV	SHEET: 1 OF 1
840E-2936P	0	