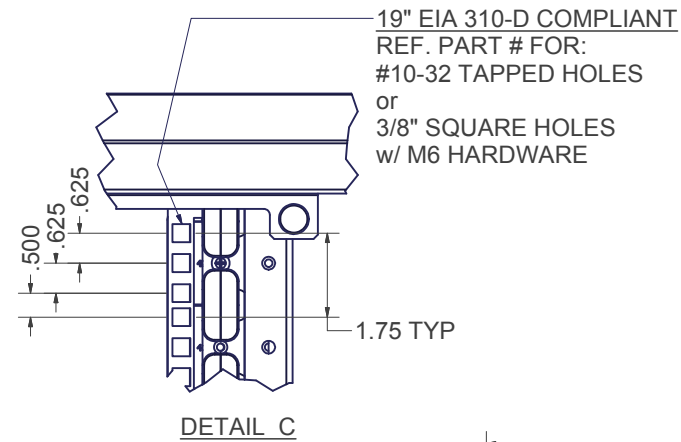


CONFIG PART #	
780ENT3242-FK	780EN3242-FK
EN FRAME 78"H x 32"W x 42"D WITH 2 PAIR OF 42 RMU #10-32 TAPPED RAILS, CABLE MANAGMENT FINGERS ON ALL RAILS	EN FRAME 78"H x 32"W x 42"D WITH 2 PAIR OF 42 RMU M6 RAILS, CABLE MANAGMENT FINGERS ON ALL RAILS

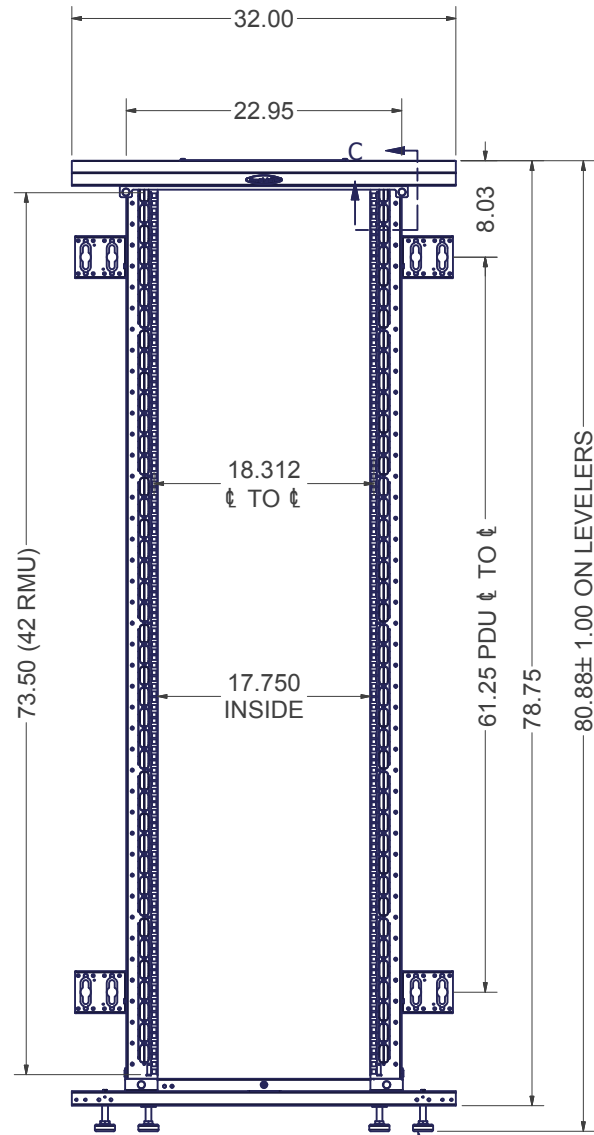
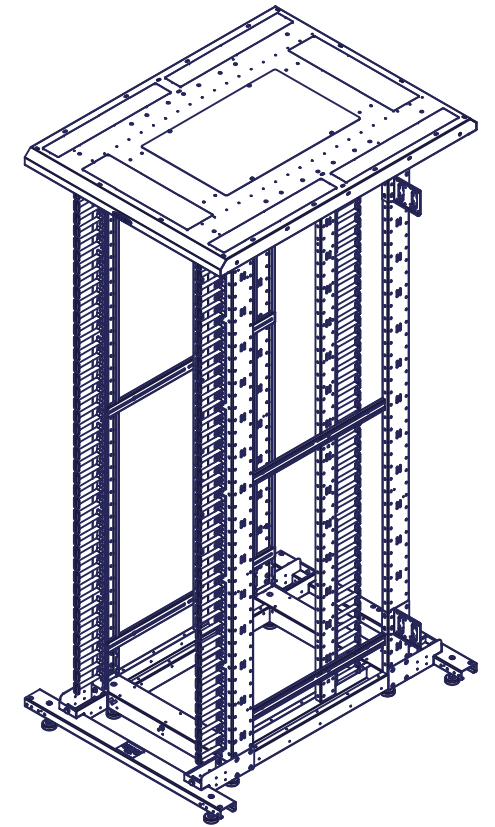
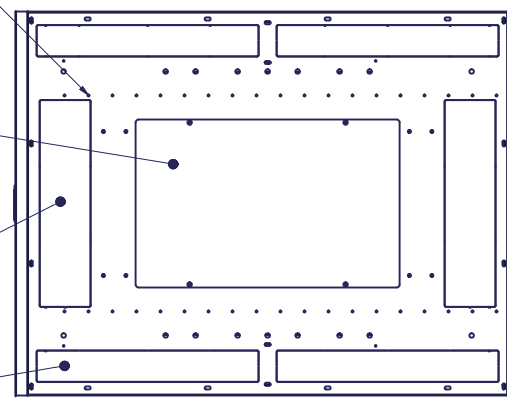


INDEPENDENT MOUNTING LOCATIONS
FOR LADDERRACK BRACKETS OR
TOP MOUNTED CABLE TROUGHS

TOP PANEL OPENING
(273 sq.in.); SOLID,
VENTED, OR WITH
EXHAUST FANS
UP TO 1100 CFM

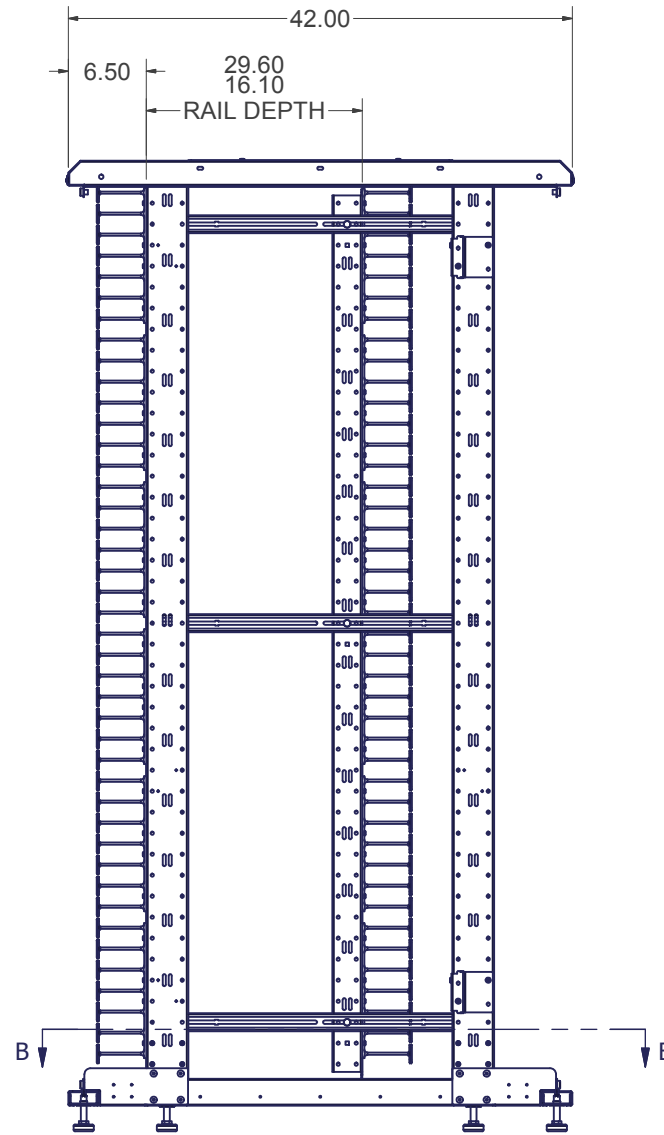
4.25 x 17.25 CABLE PASS
THROUGH KNOCKOUT
(73.3 sq.in.), 2 PLACES

2.63 x 18.50 CABLE PASS
THROUGH KNOCKOUT
(48.7 sq.in.), 4 PLACES

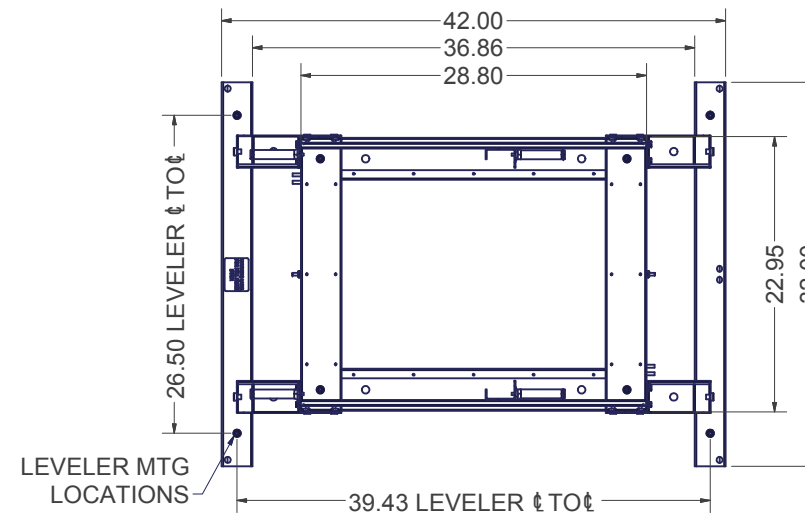


FRONT VIEW

LEVELING GLIDES (8 INCLUDED)
1/2-13 UNC THREADED HOLES



RIGHT SIDE VIEW



SECTION B-B

SPECIFICATIONS:

CONFIG. # KIT INCLUDES: QTY. 1 7801ENX3242, BASE FRAME UNIT WITH RAILS

DIMENSIONS : 78.0"H x 32.0"W x 42.0"D

RACK SPACES : 42 RMU w/ NUMBERED RMU INDICATORS, 19" EIA 310-D COMPLIANT.

COLOR : DURABLE TEXTURED BLACK POWDER COATING

CONSTRUCTION : FULL WELDED FRAME WITH RECESSED #12 GA CORNER POSTS
1 PAIR FIXED #12 GA RAILS, 1 PAIR ADJUSTABLE DEPTH #12 GA RAILS
AND SOLID TOP PANEL.

HARDWARE : PACKAGE OF QTY-50; #10-32 SCREWS -OR- M6 SCREWS W/ CAGE NUTS, INCLUDED.

EST. WEIGHT :
263.48 lbmass

THIRD ANGLE
PROJECTION

INTERPRET DRAWING PER ASME Y14.5M-1994
DIMENSIONAL LIMITS APPLY
AFTER APPLICATION OF FINISH
DRAWING NOT TO SCALE
TOLERANCE UNLESS OTHERWISE NOTED:
ANGULAR +/- 1°
.XXXX +/- .010
.XXX +/- .015
.XX +/- .030
.X FOR REF. ONLY
UNLESS OTHERWISE SPECIFIED
ALL DIMENSIONS ARE IN INCHES

NOTICE:
Use of this document is subject to a confidentiality and nondisclosure agreement with Great Lakes Case & Cabinet Co., Inc. (GLCC) and may not be reproduced, disclosed or utilized in whole or in part without prior written authorization from GLCC.

PART NUMBER:
SEE CHART
QTY PER UNIT: 1
MATERIAL TYPE:
MATERIAL GAUGE:
FINISH:
DRAWN DATE: 5/12/2014
CDM DATE: 5/12/2014
CHECKED & APP. DATE: 2/8/11
WSS

TITLE
EN ENCLOSURE FRAME KIT, 78"H x 32"W x 42"D w/ 42 RMU RAILS
GREAT LAKES CASE & CABINET CO., INC.
P.O. BOX 551 EDINBORO, PA 16412
PHONE (814) 734-7303 FAX (814) 734-3907
E-MAIL glcc@greatcabinets.com
DWG NO. REV
SEE CHART SHEET: 1 OF 1