

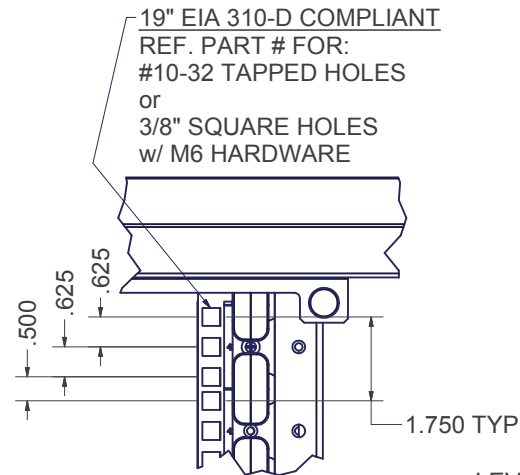
CONFIG PART #

780ENT3242MSS-NS

EN FRAME 78"H x 32"W x 42"D WITH 2 PAIR OF 42 RMU #10-32 TAPPED RAILS, CABLE MANAGEMENT FINGERS ON ALL RAILS, SOLID TOP, DUAL HINGE PERF FRONT DOOR, SPLIT PERF REAR DOOR

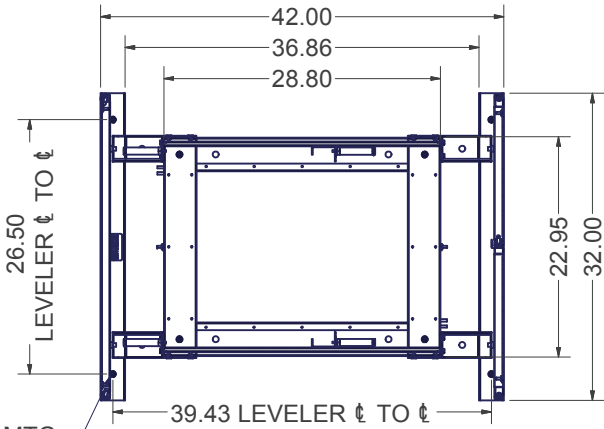
780EN3242MSS-NS

EN FRAME 78"H x 32"W x 42"D WITH 2 PAIR OF 42 RMU M6 RAILS, CABLE MANAGEMENT FINGERS ON ALL RAILS, SOLID TOP, DUAL HINGE PERF FRONT DOOR, SPLIT PERF REAR DOOR



DETAIL C

LEVELER MTG LOCATIONS



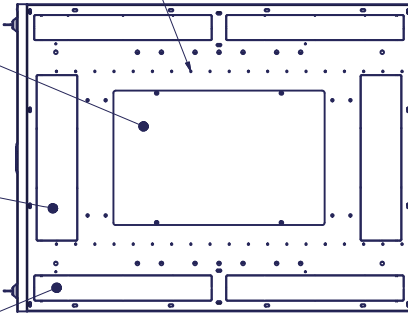
SECTION B-B DOORS REMOVED

INDEPENDENT MOUNTING LOCATIONS FOR LADDERRACK BRACKETS OR TOP MOUNTED CABLE TROUGHS

TOP PANEL OPENING (273 sq.in.); SOLID, VENTED, OR WITH EXHAUST FANS UP TO 1100 CFM.

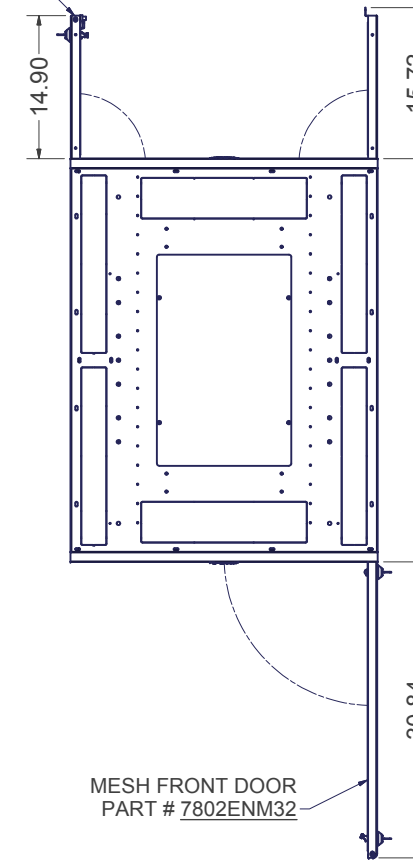
4.25 x 17.25 CABLE PASS THROUGH KNOCKOUT (73.3 sq.in.), 2 PLACES

2.63 x 18.50 CABLE PASS THROUGH KNOCKOUT (48.7 sq.in.), 4 PLACES



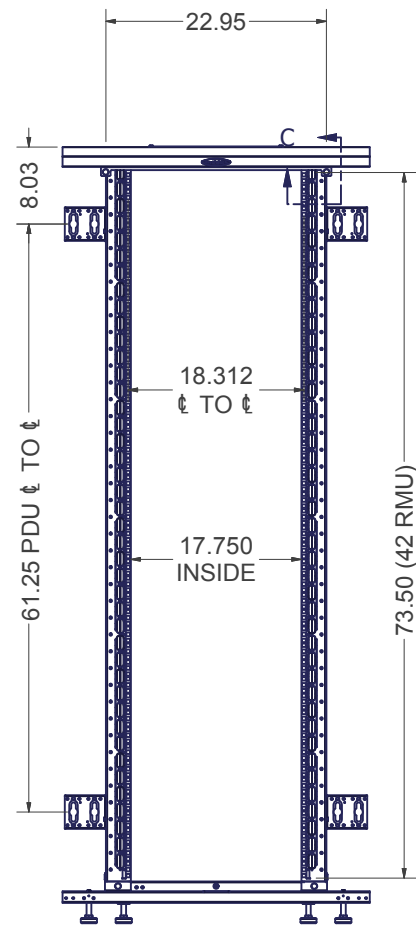
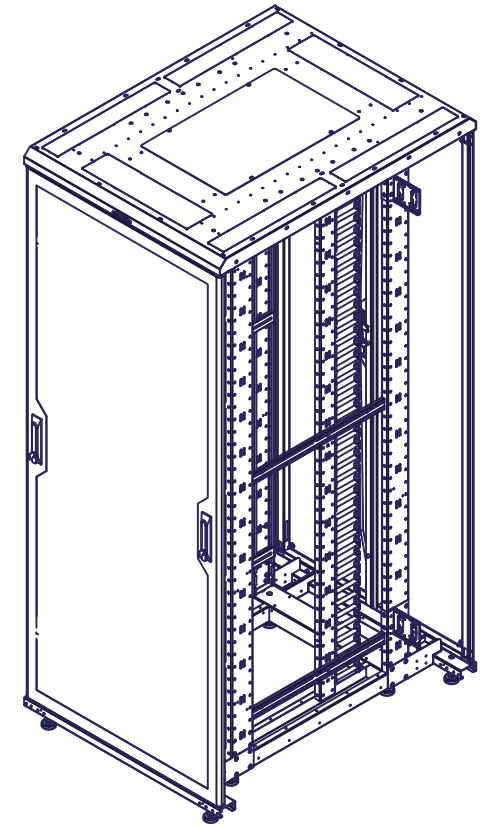
TOP VIEW

SPLIT MESH REAR DOORS PART # 7802EN32SM

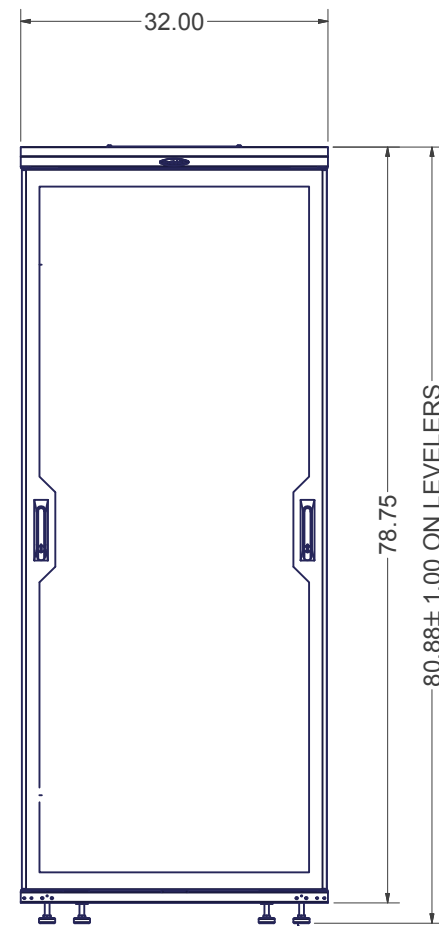


MESH FRONT DOOR PART # 7802ENM32

TOP VIEW

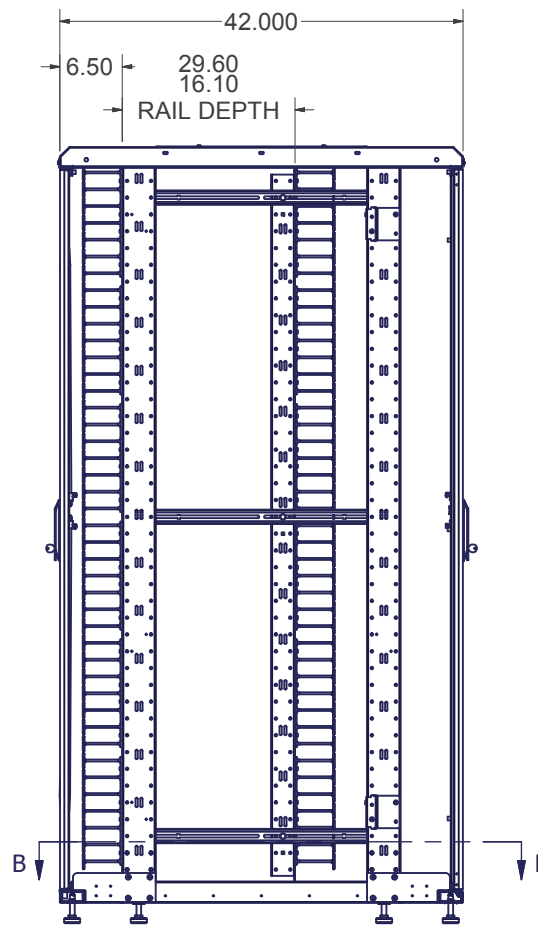


FRONT VIEW DOORS REMOVED



FRONT VIEW

(8) LEVELING GLIDES IN 1/2-13 UNC THREADED HOLES



RIGHT SIDE VIEW

**SPECIFICATIONS:**

**CONFIG. # KIT INCLUDES:** QTY. 1 7801ENX3242, BASE FRAME UNIT WITH RAILS  
QTY. 1 7802EN32SM, SPLIT MESH REAR DOOR ASSEMBLY  
QTY. 1 7802ENM32, MESH FRONT DOOR ASSEMBLY

**DIMENSIONS :** 78.0"H x 32.0"W x 42.0"D

**RACK SPACES :** 42 RMU w/ NUMBERED RMU INDICATORS, 19" EIA 310-D COMPLIANT.

**COLOR :** DURABLE TEXTURED BLACK POWDER COATING

**CONSTRUCTION :** FULL WELDED FRAME WITH RECESSED #12 GA CORNER POSTS  
1 PAIR FIXED #12 GA RAILS, 1 PAIR ADJUSTABLE DEPTH #12 GA RAILS  
#16 C.R.S DOORS & SIDE PANELS LIGHT-WEIGHT ALUMINUM AND SOLID TOP PANEL

**HARDWARE :** PACKAGE OF QTY-50; #10-32 SCREWS -OR- M6 SCREWS W/ CAGE NUTS, INCLUDED.

INTERPRET DRAWING PER ASME Y14.5M-1994
DIMENSIONAL LIMITS APPLY AFTER APPLICATION OF FINISH
DRAWING NOT TO SCALE
TOLERANCE UNLESS OTHERWISE NOTED:
ANGULAR +/- .1"
.XXXX +/- .010
.XXX +/- .015
.XX +/- .030
.X FOR REF. ONLY

**NOTICE:**

Use of this document is subject to a confidentiality and nondisclosure agreement with Great Lakes Case & Cabinet Co., Inc. (GLCC) and may not be reproduced, disclosed or utilized in whole or in part without prior written authorization from GLCC.

PART NUMBER:	SEE CHART
QTY PER UNIT:	1
MATERIAL TYPE:	-
MATERIAL GAUGE:	-
FINISH:	-
DRAWN	DATE
CDM	5/12/2014
CHECKED & APP.	DATE
WSS	2/8/11

TITLE	EN FRAME 78"H x 32"W x 42"D W/ 42 RMU RAILS, DUAL HINGE PERF FRONT DOOR, AND SPLIT PERF REAR DOOR
GREAT LAKES CASE & CABINET CO., INC.	
P.O. BOX 551 EDINBORO, PA 16412	
PHONE (814) 734-7303 FAX (814) 734-3907	
E-MAIL glcc@greatcabinets.com	
DWG NO.	REV
SEE CHART	SEE CHART
SHEET: 1 OF 1	

EST. WEIGHT :	345.29 lbmass
THIRD ANGLE PROJECTION	
UNLESS OTHERWISE SPECIFIED ALL DIMENSIONS ARE IN INCHES	