

CONFIG PART #

780ENT3242MSS

780EN3242MSS

EN FRAME 78"H x 32"W x 42"D WITH 2 PAIR OF 42 RMU #10-32 TAPPED RAILS, CABLE MANAGEMENT FINGERS ON ALL RAILS, SOLID TOP, DUAL HINGE PERF FRONT DOOR, SPLIT PERF REAR DOOR AND SOLID SIDES

EN FRAME 78"H x 32"W x 42"D WITH 2 PAIR OF 42 RMU M6 RAILS, CABLE MANAGEMENT FINGERS ON ALL RAILS, SOLID TOP, DUAL HINGE PERF FRONT DOOR, SPLIT PERF REAR DOOR AND SOLID SIDES

INDEPENDENT MOUNTING LOCATIONS FOR LADDERRACK BRACKETS OR TOP MOUNTED CABLE TROUGHS

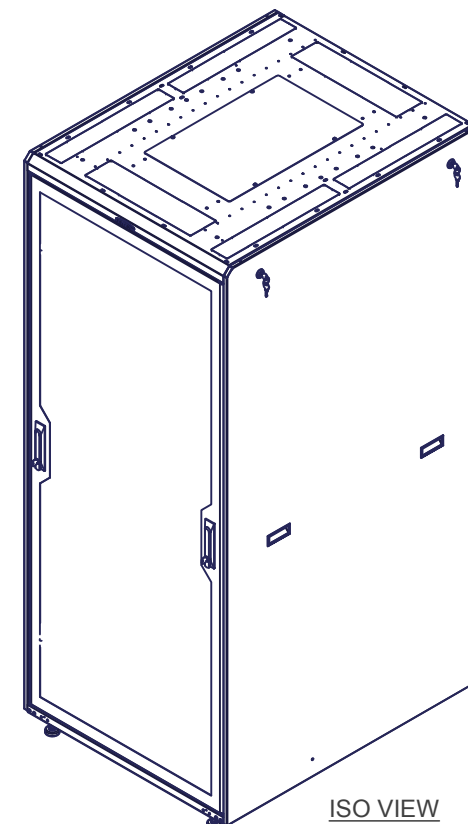
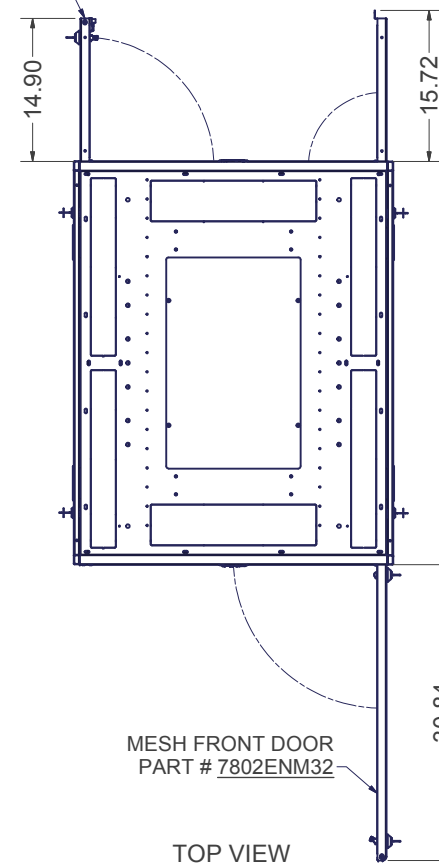
SPLIT MESH REAR DOORS  
PART # 7802EN32SM

TOP PANEL OPENING  
(273 sq.in.); SOLID, VENTED, OR WITH EXHAUST FANS UP TO 1100 CFM.

4.25 x 17.25 CABLE PASS THROUGH KNOCKOUT  
(73.3 sq.in.), 2 PLACES

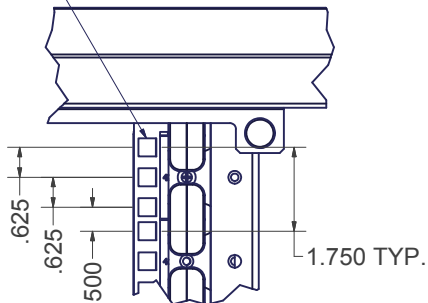
2.63 x 18.50 CABLE PASS THROUGH KNOCKOUT  
(48.7 sq.in.), 4 PLACES

TOP VIEW

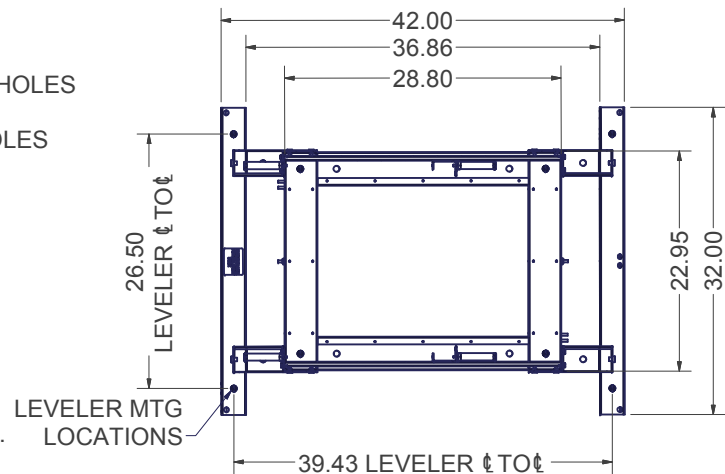


ISO VIEW

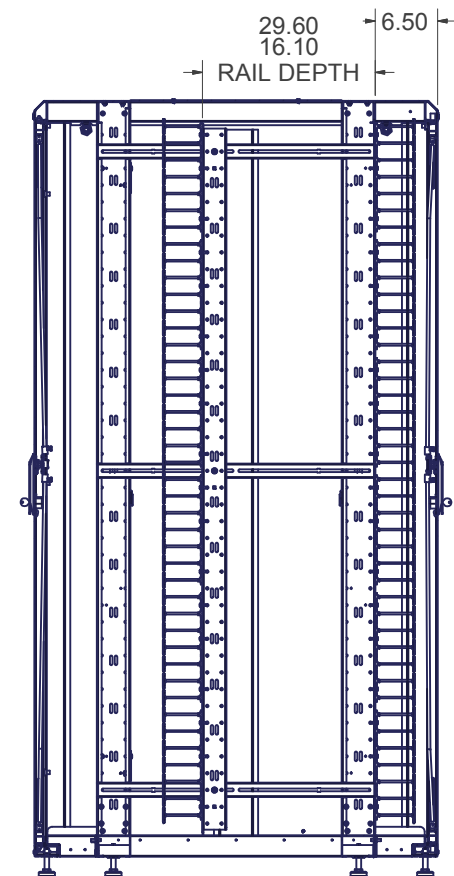
19" EIA 310-D COMPLIANT  
REF. PART # FOR:  
#10-32 TAPPED EQUIP. MTG. HOLES  
-OR-  
3/8" SQUARE EQUIP. MTG. HOLES  
W/ M6 HARDWARE



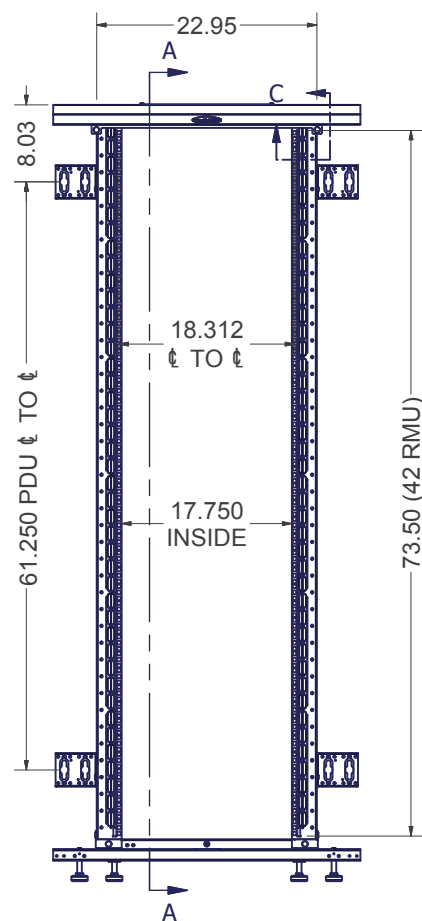
DETAIL C



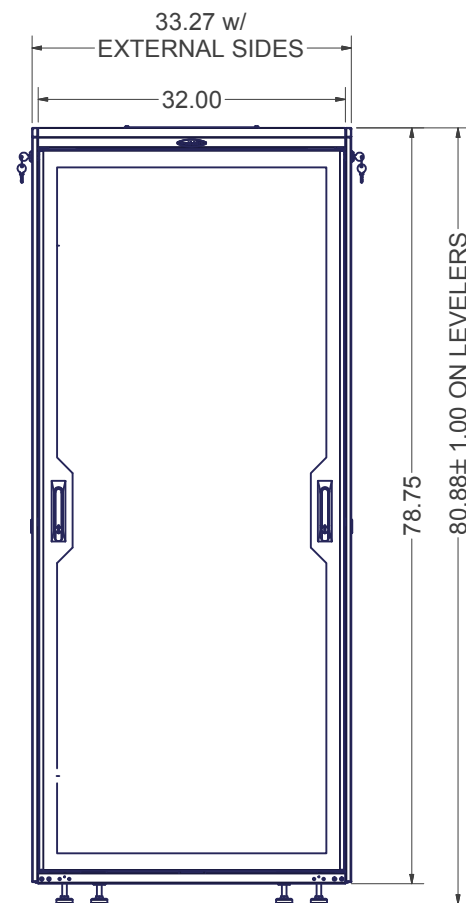
SECTION B-B  
DOORS AND SIDES REMOVED



SECTION A-A

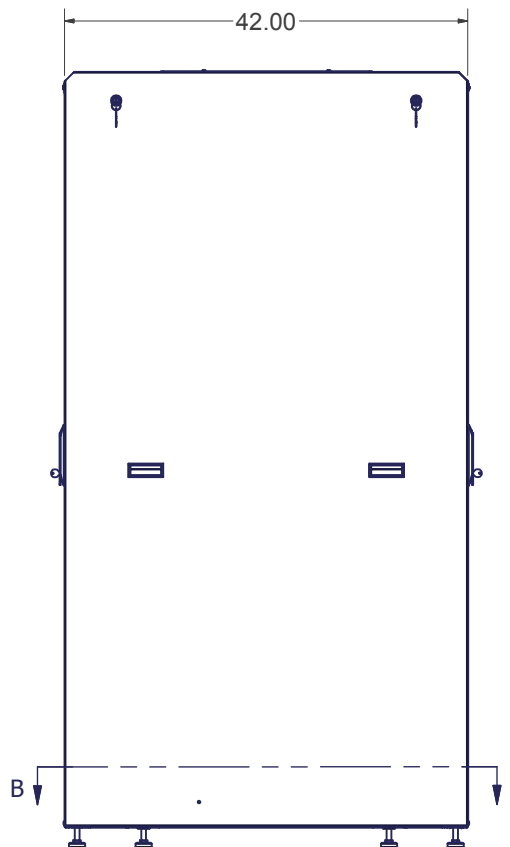


FRONT VIEW  
DOORS AND SIDES REMOVED



FRONT VIEW

LEVELING GLIDES (8 INCLUDED)  
1/2-13 UNC THREADED HOLES



RIGHT SIDE VIEW

**SPECIFICATIONS:**

**CONFIG. # KIT INCLUDES:** QTY. 1 7801ENX3242, BASE FRAME UNIT WITH RAILS  
QTY. 1 7802EN32SM, SPLIT MESH REAR DOOR ASSEMBLY  
QTY. 1 7802ENM32, MESH FRONT DOOR ASSEMBLY  
QTY. 2 7810421ENLS, SOLID LIFT-OFF SIDE PANEL ASSEMBLY

**DIMENSIONS :** 78.0"H x 32.0"W x 42.0"D

**RACK SPACES :** 42 RMU w/ NUMBERED RMU INDICATORS, 19" EIA 310-D COMPLIANT.

**COLOR :** DURABLE TEXTURED BLACK POWDER COATING

**CONSTRUCTION :** FULL WELDED FRAME WITH RECESSED #12 GA CORNER POSTS  
1 PAIR FIXED #12 GA RAILS, 1 PAIR ADJUSTABLE DEPTH #12 GA RAILS  
DOORS #16 C.R.S. & SIDE PANELS LIGHT-WEIGHT ALUMINUM AND SOLID TOP PANEL.

**HARDWARE :** PACKAGE OF QTY-50; #10-32 SCREWS -OR- M6 SCREWS W/ CAGE NUTS, INCLUDED.

EST. WEIGHT :  
401.16 lbmass

THIRD ANGLE  
PROJECTION

INTERPRET DRAWING PER ASME Y14.5M-1994  
DIMENSIONAL LIMITS APPLY  
AFTER APPLICATION OF FINISH  
DRAWING NOT TO SCALE  
TOLERANCE UNLESS OTHERWISE NOTED:  
ANGULAR +/- .1"  
.XXXX +/- .010  
.XXX +/- .015  
.XX +/- .030  
.X FOR REF. ONLY

UNLESS OTHERWISE SPECIFIED  
ALL DIMENSIONS ARE IN INCHES

**NOTICE:**

Use of this document is subject to a confidentiality and nondisclosure agreement with Great Lakes Case & Cabinet Co., Inc. (GLCC) and may not be reproduced, disclosed or utilized in whole or in part without prior written authorization from GLCC.

PART NUMBER:  
SEE CHART  
QTY PER UNIT: 1  
MATERIAL TYPE:  
MATERIAL GAUGE:  
FINISH:  
DRAWN DATE: 5/12/2014  
CDM  
CHECKED & APP. DATE: 2/8/11  
WSS

TITLE  
EN FRAME 78"H x 32"W x 42"D W/ 42 RMU RAILS, DUAL HINGE PERF FRONT DOOR, SPLIT PERF REAR DOOR, AND SOLID SIDES

GREAT LAKES CASE & CABINET CO., INC.  
P.O. BOX 551 EDINBORO, PA 16412  
PHONE (814) 734-7303 FAX (814) 734-3907  
E-MAIL glcc@greatcabinets.com

DWG NO. REV  
SEE CHART SHEET: 1 OF 1