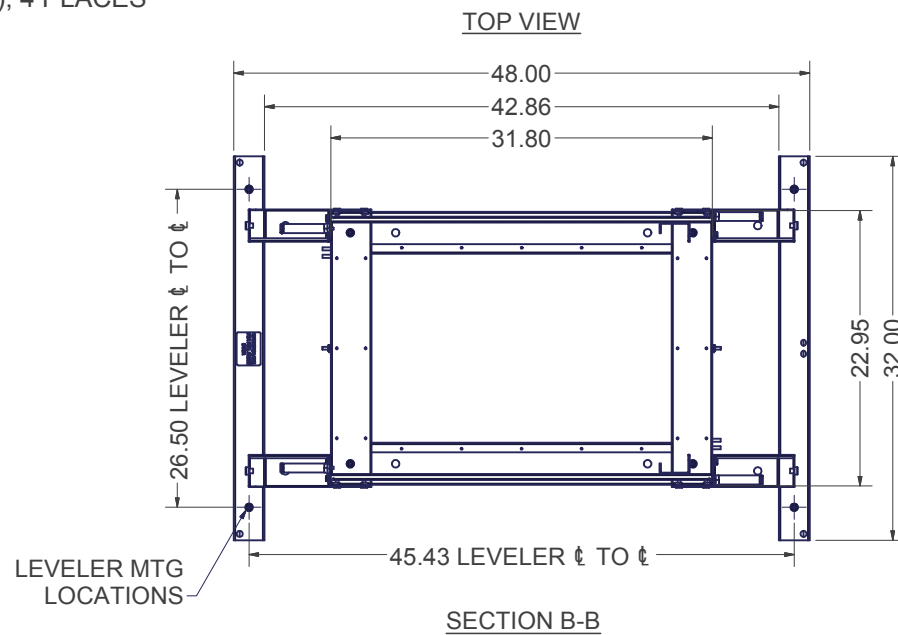
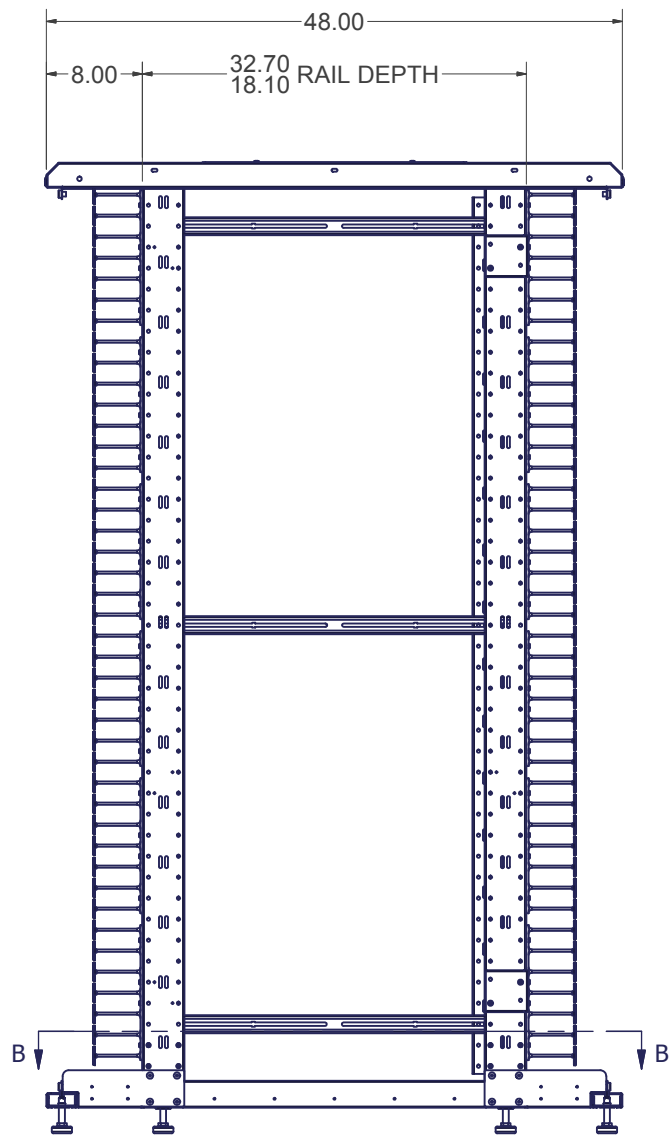
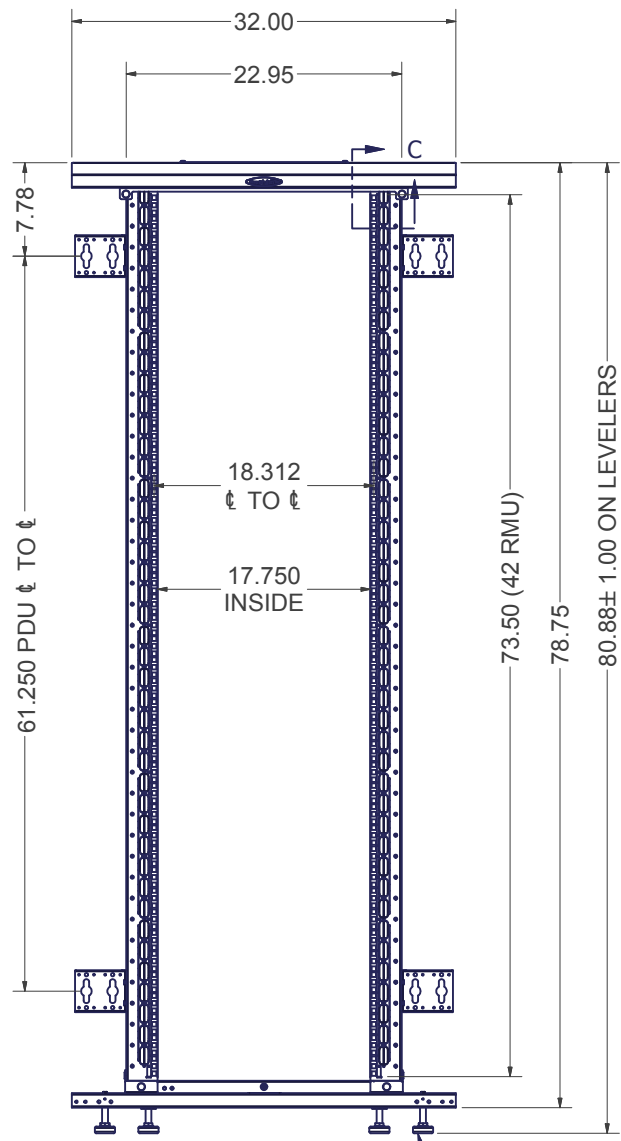
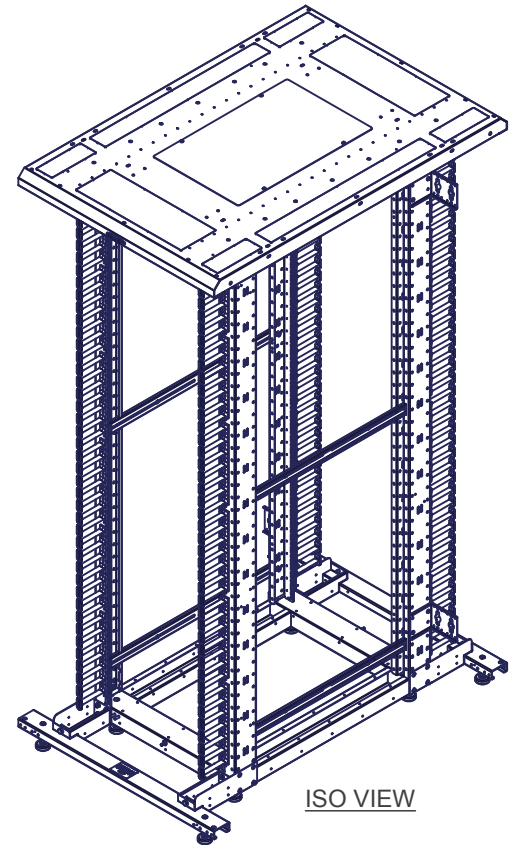
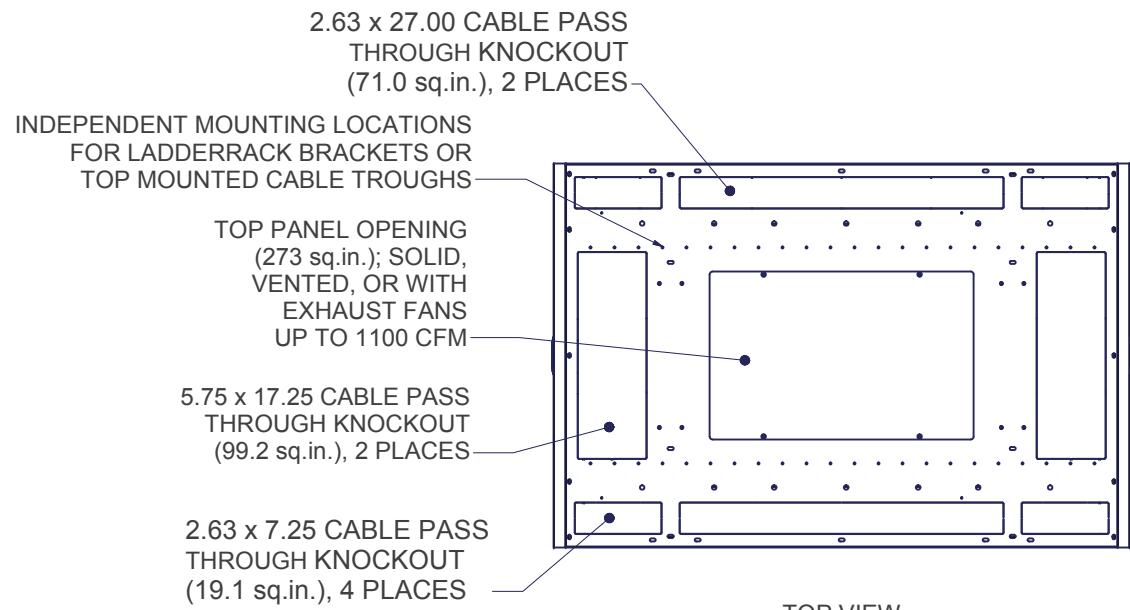
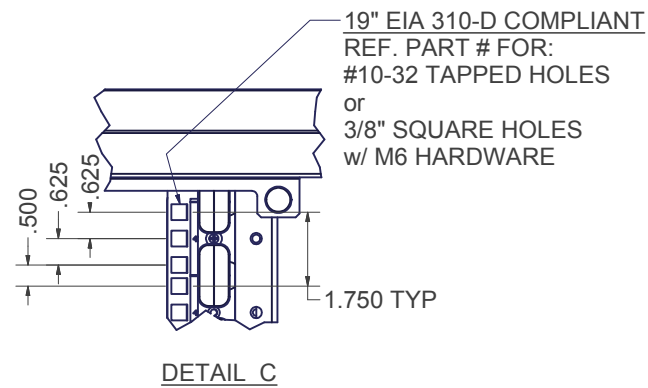


CONFIG PART #	
780ENT3248-FK	780EN3248-FK
EN FRAME 78"H x 32"W x 48"D WITH 2 PAIR OF 42 RMU #10-32 TAPPED RAILS, CABLE MANAGMENT FINGERS ON ALL RAILS	EN FRAME 78"H x 32"W x 48"D WITH 2 PAIR OF 42 RMU M6 RAILS, CABLE MANAGMENT FINGERS ON ALL RAILS



**SPECIFICATIONS:**

- CONFIG. # KIT INCLUDES:** QTY. 1 7801ENX3248, BASE FRAME UNIT WITH RAILS
- DIMENSIONS :** 78.0"H x 32.0"W x 48.0"D
- RACK SPACES :** 42 RMU w/ NUMBERED RMU INDICATORS, 19" EIA 310-D COMPLIANT.
- COLOR :** DURABLE TEXTURED BLACK POWDER COATING
- CONSTRUCTION :** FULL WELDED FRAME WITH RECESSED #12 GA CORNER POSTS  
1 PAIR FIXED #12 GA RAILS, 1 PAIR ADJUSTABLE DEPTH #12 GA RAILS AND SOLID TOP PANEL.
- HARDWARE :** PACKAGE OF QTY-50; #10-32 SCREWS -OR- M6 SCREWS W/ CAGE NUTS, INCLUDED.

(8) LEVELING GLIDES IN 1/2-13 UNC THREADED HOLES



INTERPRET DRAWING PER ASME Y14.5M-1994
DIMENSIONAL LIMITS APPLY AFTER APPLICATION OF FINISH
DRAWING NOT TO SCALE
TOLERANCE UNLESS OTHERWISE NOTED:
ANGULAR +/- .1°
.XXXX +/- .010
.XXX +/- .015
.XX +/- .030
.X FOR REF. ONLY
UNLESS OTHERWISE SPECIFIED ALL DIMENSIONS ARE IN INCHES

**NOTICE:**  
Use of this document is subject to a confidentiality and nondisclosure agreement with Great Lakes Case & Cabinet Co., Inc. (GLCC) and may not be reproduced, disclosed or utilized in whole or in part without prior written authorization from GLCC.

PART NUMBER:	SEE CHART
QTY PER UNIT:	1
MATERIAL TYPE:	-
MATERIAL GAUGE:	-
FINISH:	-
DRAWN:	DATE
CDM	5/12/2014
CHECKED & APP.:	DATE
WSS	2/8/11

TITLE:	EN ENCLOSURE FRAME KIT, 78"H x 32"W x 48"D w/ 42 RMU RAILS
GREAT LAKES CASE & CABINET CO., INC. P.O. BOX 551 EDINBORO, PA 16412 PHONE (814) 734-7303 FAX (814) 734-3907 E-MAIL glcc@greatcabinets.com	
DWG NO.:	REV
SEE CHART	SEE CHART
SHEET: 1 OF 1	