

CONFIG PART #

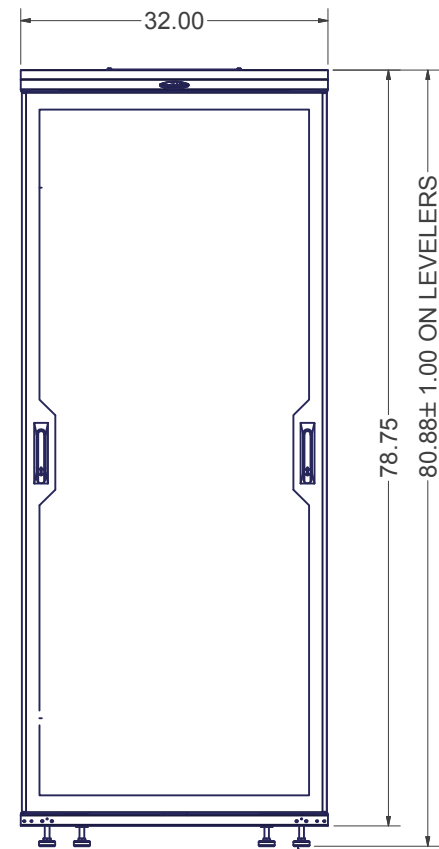
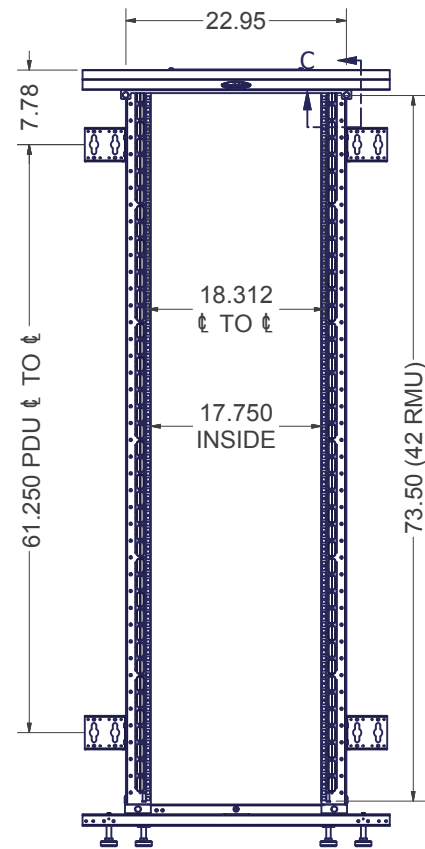
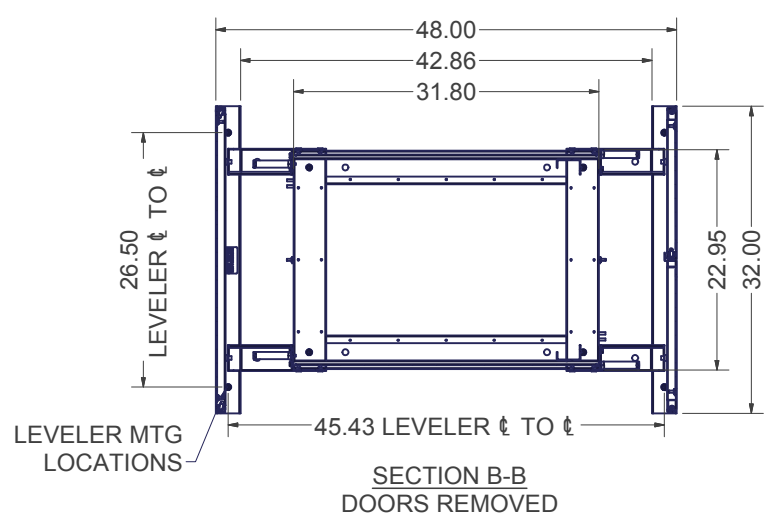
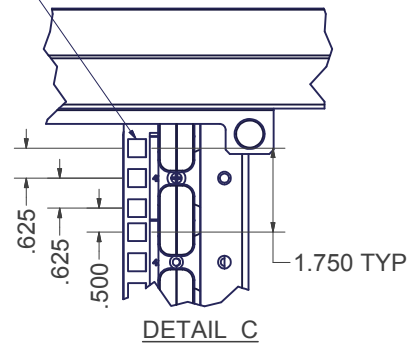
780ENT3248MSS-NS

780EN3248MSS-NS

EN FRAME 78"H x 32"W x 48"D WITH 2 PAIR OF 42 RMU #10-32 TAPPED RAILS, CABLE MANAGEMENT FINGERS ON ALL RAILS, SOLID TOP, DUAL HINGE PERF FRONT DOOR, SPLIT PERF REAR DOOR

EN FRAME 78"H x 32"W x 48"D WITH 2 PAIR OF 42 RMU M6 RAILS, CABLE MANAGEMENT FINGERS ON ALL RAILS, SOLID TOP, DUAL HINGE PERF FRONT DOOR, SPLIT PERF REAR DOOR

19" EIA 310-D COMPLIANT
REF. PART # FOR:
#10-32 TAPPED HOLES
or
3/8" SQUARE HOLES
w/ M6 HARDWARE

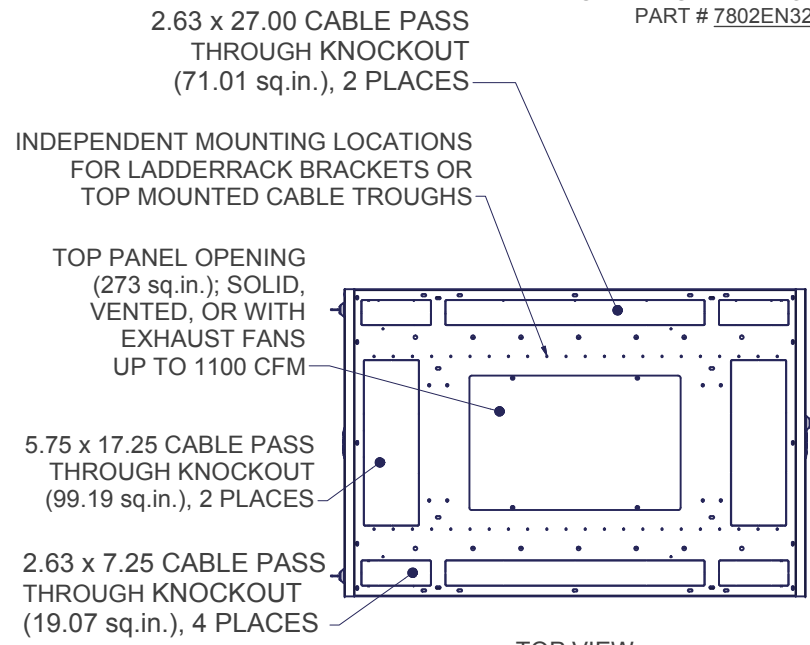
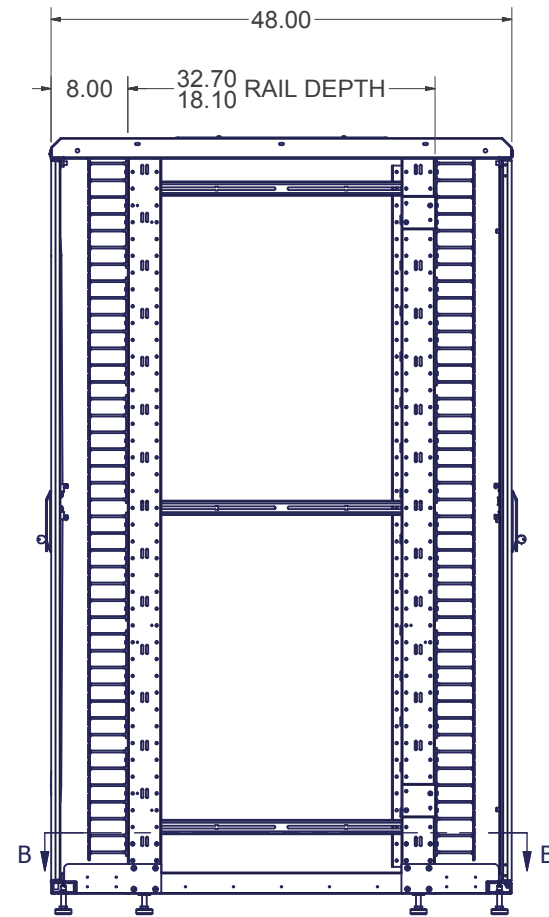


FRONT VIEW
DOORS REMOVED

FRONT VIEW

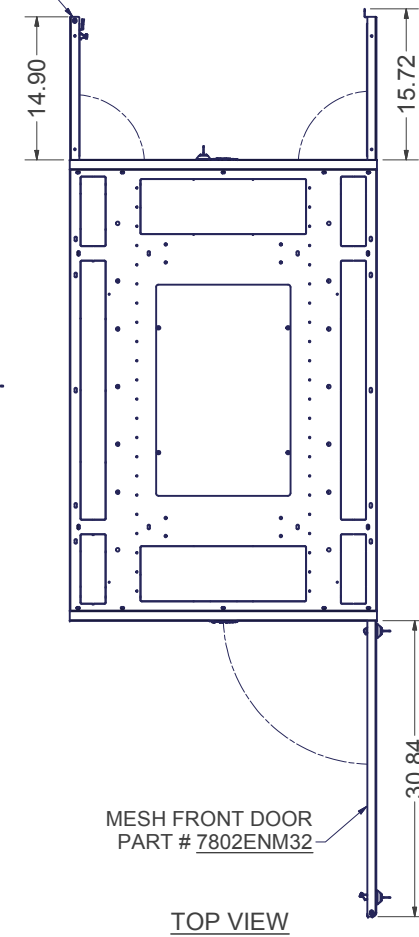
(8) LEVELING GLIDES IN
1/2-13 UNC THREADED HOLES

RIGHT SIDE VIEW



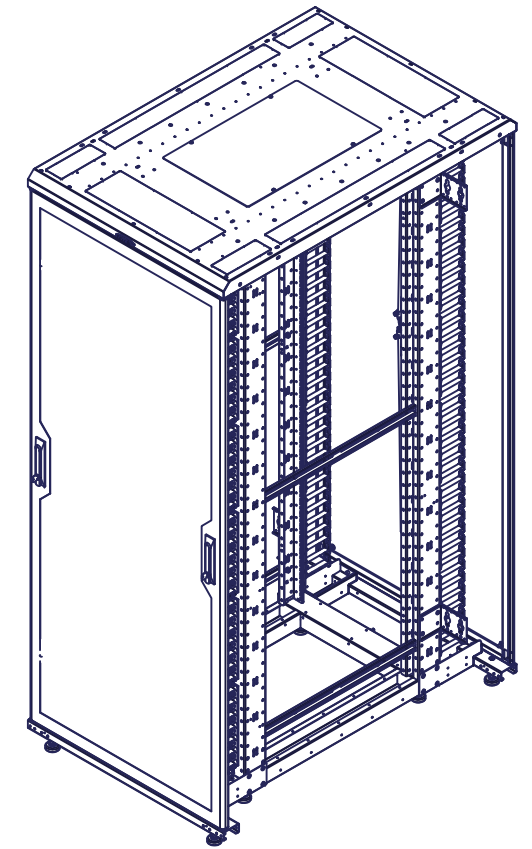
TOP VIEW

SPLIT MESH REAR DOORS
PART # 7802EN32SM



TOP VIEW

MESH FRONT DOOR
PART # 7802ENM32



SPECIFICATIONS:

CONFIG. # KIT INCLUDES: QTY. 1 7801ENX3248, BASE FRAME UNIT WITH RAILS
QTY. 1 7802EN32SM, SPLIT MESH REAR DOOR ASSEMBLY
QTY. 1 7802ENM32, MESH FRONT DOOR ASSEMBLY

DIMENSIONS : 78.0"H x 32.0"W x 48.0"D

RACK SPACES : 42 RMU w/ NUMBERED RMU INDICATORS, 19" EIA 310-D COMPLIANT.

COLOR : DURABLE TEXTURED BLACK POWDER COATING

CONSTRUCTION : FULL WELDED FRAME WITH RECESSED #12 GA CORNER POSTS
1 PAIR FIXED #12 GA RAILS, 1 PAIR ADJUSTABLE DEPTH #12 GA RAILS
#16 C.R.S. DOORS & SIDE PANELS OF LIGHT-WEIGHT ALUMINUM AND SOLID TOP PANEL.

HARDWARE : PACKAGE OF QTY-50; #10-32 SCREWS -OR- M6 SCREWS W/ CAGE NUTS, INCLUDED.

EST. WEIGHT :
323.69 lbmass

THIRD ANGLE
PROJECTION

INTERPRET DRAWING PER ASME Y14.5M-1994
DIMENSIONAL LIMITS APPLY
AFTER APPLICATION OF FINISH
DRAWING NOT TO SCALE
TOLERANCE UNLESS OTHERWISE NOTED:
ANGULAR +/- 1'
.XXXX +/- .010
.XXX +/- .015
.XX +/- .030
.X FOR REF. ONLY

UNLESS OTHERWISE SPECIFIED
ALL DIMENSIONS ARE IN INCHES

NOTICE:

Use of this document is subject to a confidentiality and nondisclosure agreement with Great Lakes Case & Cabinet Co., Inc. (GLCC) and may not be reproduced, disclosed or utilized in whole or in part without prior written authorization from GLCC.

PART NUMBER:
SEE CHART
QTY PER UNIT: 1
MATERIAL TYPE:
MATERIAL GAUGE:
FINISH:
DRAWN DATE: 5/12/2014
CDM DATE: 5/12/2014
CHECKED & APP. DATE: 2/8/11
WSS

TITLE: EN FRAME 78"H x 32"W x 48"D W/ 42 RMU RAILS, DUAL HINGE PERF FRONT DOOR, AND SPLIT PERF REAR DOOR
GREAT LAKES CASE & CABINET CO., INC.
P.O. BOX 551 EDINBORO, PA 16412
PHONE (814) 734-7303 FAX (814) 734-3907
E-MAIL glcc@greatcabinets.com
DWG NO. REV
SEE CHART SHEET: 1 OF 1