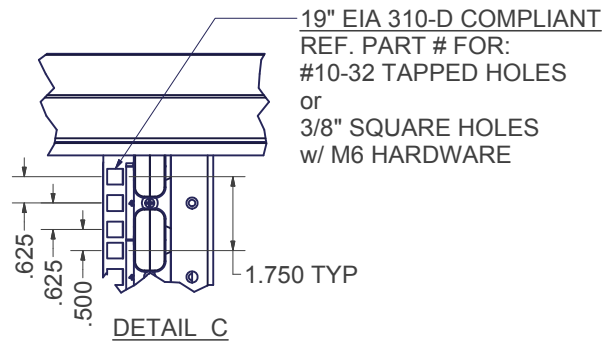


| CONFIG PART #  |   |
|--|---|
| 780ENT4042-FK  | 780EN4042-FK  |
| EN FRAME 78"H x 40"W x 42"D WITH 2 PAIR OF 42 RMU #10-32 TAPPED RAILS, CABLE MANAGEMENT FINGERS ON ALL RAILS | EN FRAME 78"H x 40"W x 42"D WITH 2 PAIR OF 42 RMU M6 RAILS, CABLE MANAGEMENT FINGERS ON ALL RAILS |

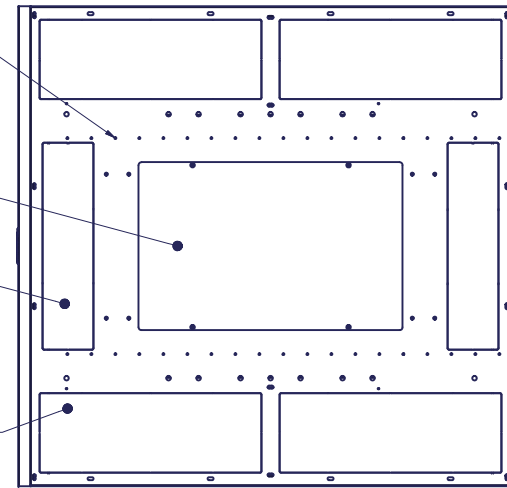


INDEPENDENT MOUNTING LOCATIONS FOR LADDER RACK BRACKETS OR TOP MOUNTED CABLE TROUGH OPTIONS

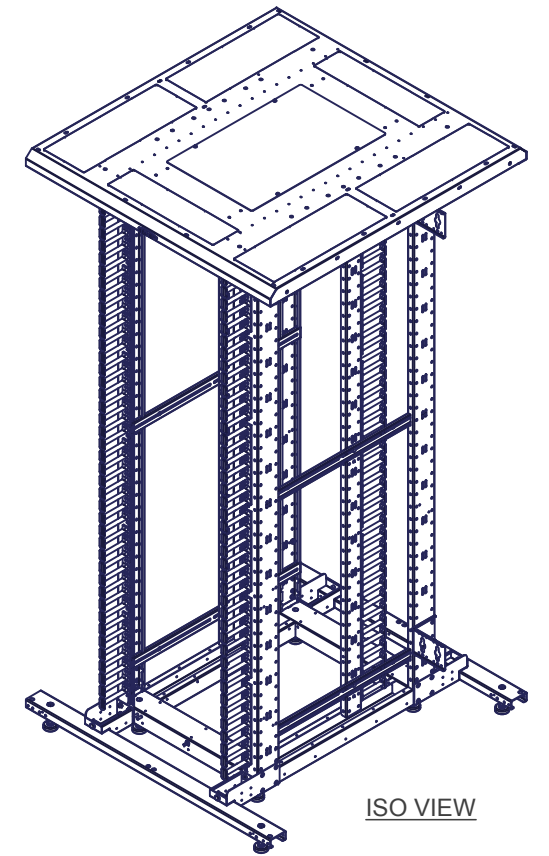
TOP PANEL OPENING (273 sq.in.); SOLID, VENTED, OR w/ EXHAUST FANS FLOWING UP TO 1100 CFM

4.25 x 17.25 CABLE PASS THROUGH KNOCKOUT (73.3 sq.in.), 2 PLACES

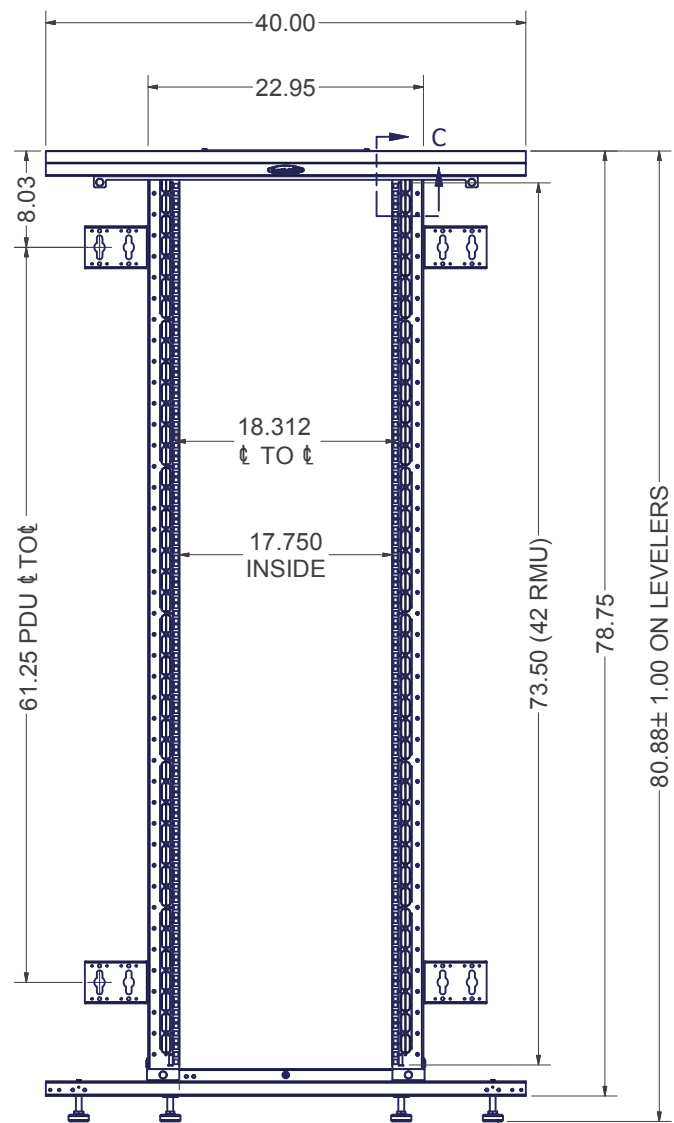
6.63 x 18.50 CABLE PASS THROUGH KNOCKOUT (122.6 sq.in.), 4 PLACES



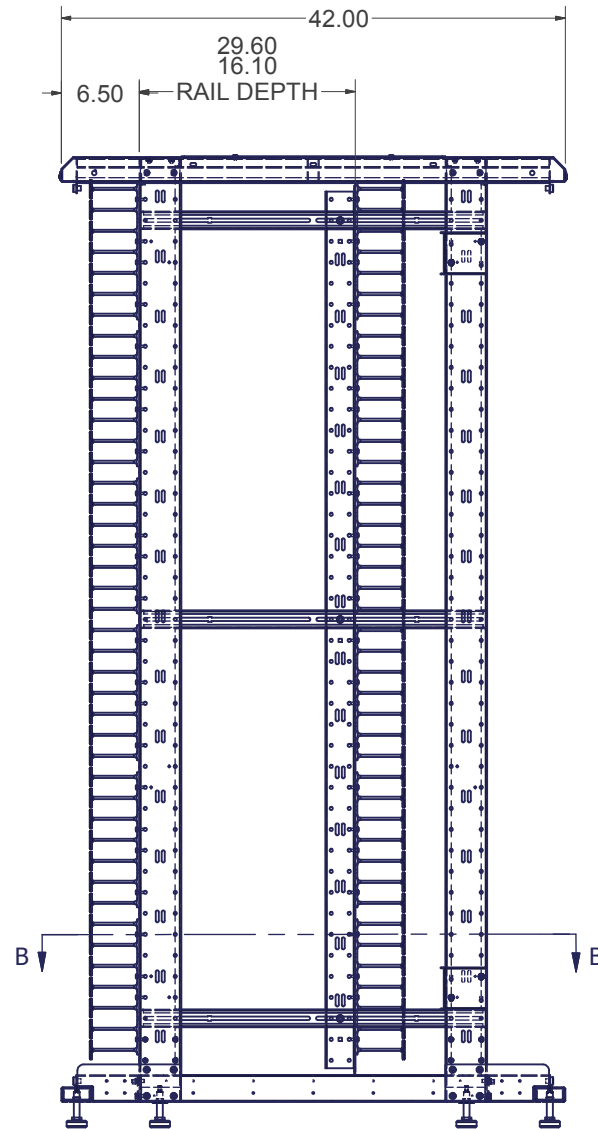
TOP VIEW



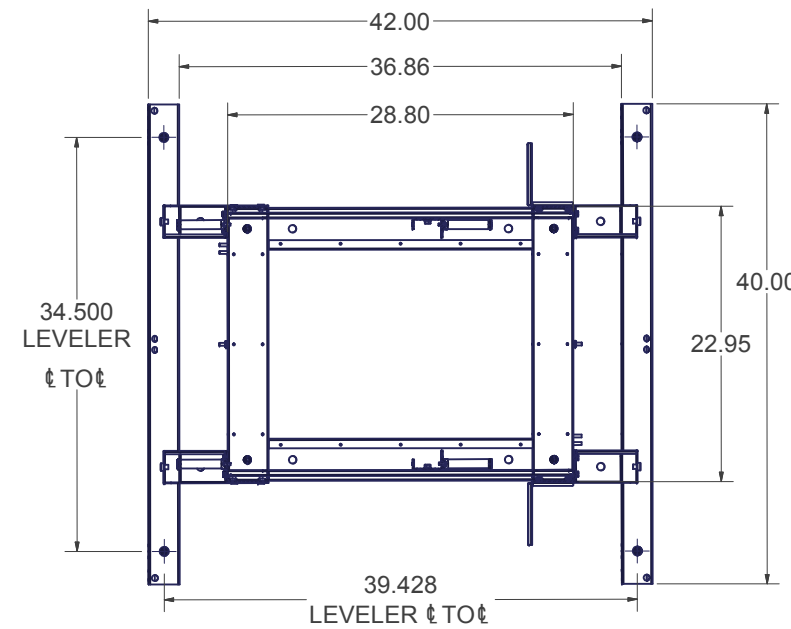
ISO VIEW



FRONT VIEW



RIGHT SIDE VIEW



SECTION B-B

**SPECIFICATIONS:**

**CONFIG. # KIT INCLUDES:** (QTY 1) 7801ENX4042, BASE FRAME UNIT WITH RAILS

**DIMENSIONS :** 78.0"H x 40.0"W x 42.0"D

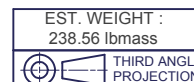
**RACK SPACES :** 42 RMU w/ NUMBERED RMU INDICATORS, 19" EIA 310-D COMPLIANT.

**COLOR :** DURABLE TEXTURED BLACK POWDER COATING

**CONSTRUCTION :** FULL WELDED STEEL FRAME WITH RECESSED #12 GA CORNER POSTS (1 PAIR) FIXED #12 GA RAILS & (1 PAIR) ADJUSTABLE DEPTH #12 GA RAILS AND SOLID TOP PANEL.

**HARDWARE :** PACKAGE OF (QTY 50); #10-32 SCREWS -or- M6 SCREWS w/ CAGE NUTS, INCLUDED.

(8) LEVELING GLIDES IN 1/2-13 UNC THREADED HOLES



|   |
|---|
| INTERPRET DRAWING PER ASME Y14.5M-1994                  |
| DIMENSIONAL LIMITS APPLY AFTER APPLICATION OF FINISH    |
| DRAWING NOT TO SCALE                                    |
| TOLERANCE UNLESS OTHERWISE NOTED:                       |
| ANGULAR +/- .1°   |
| .XXXX +/- .010  |
| .XXX +/- .015   |
| .XX +/- .030  |
| .X FOR REF. ONLY  |
| UNLESS OTHERWISE SPECIFIED ALL DIMENSIONS ARE IN INCHES |

**NOTICE:**  
Use of this document is subject to a confidentiality and nondisclosure agreement with Great Lakes Case & Cabinet Co., Inc. (GLCC) and may not be reproduced, disclosed or utilized in whole or in part without prior written authorization from GLCC.

|                           |
|---------------------------|
| PART NUMBER:<br>SEE CHART |
| QTY PER UNIT:<br>1        |
| MATERIAL TYPE:<br>-       |
| MATERIAL GAUGE:<br>-      |
| FINISH:<br>-              |
| DRAWN<br>ChrisM           |
| DATE<br>5/12/2014         |
| CHECKED & APP.<br>WSS     |
| DATE<br>5/12/2014         |

|   |
|---|
| TITLE<br>EN ENCLOSURE FRAME KIT, 78"H x 40"W x 42"D w/ 42 RMU RAILS   |
| GREAT LAKES CASE & CABINET CO., INC.<br>P.O. BOX 551 EDINBORO, PA 16412<br>PHONE (814) 734-7303 FAX (814) 734-3907<br>E-MAIL glcc@greatcabinets.com |
| DWG NO.<br>REV  |
| SEE CHART   |
| SHEET: 1 OF 1   |