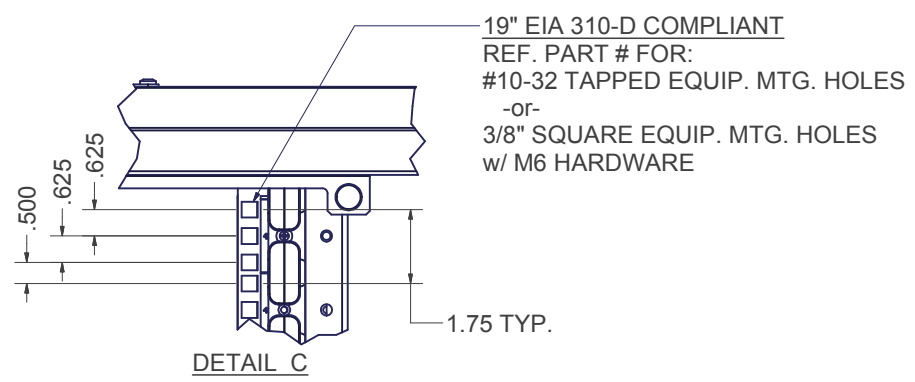
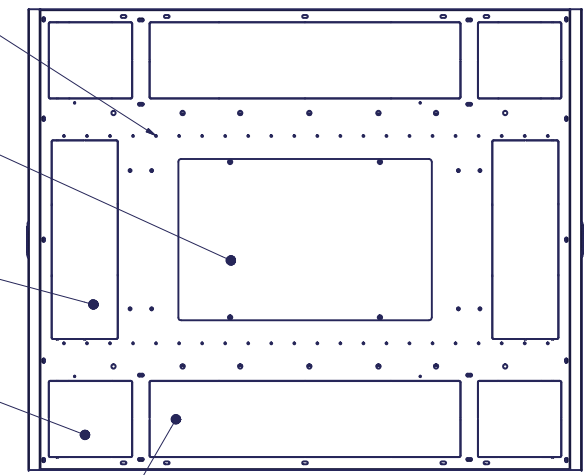


CONFIG PART #	
780ENT4048-FK	780EN4048-FK
EN FRAME 78"H x 40"W x 48"D WITH 2 PAIR OF 42 RMU #10-32 TAPPED RAILS AND CABLE MANAGEMENT FINGERS ON ALL RAILS	EN FRAME 78"H x 40"W x 48"D WITH 2 PAIR OF 42 RMU M6 RAILS AND CABLE MANAGEMENT FINGERS ON ALL RAILS

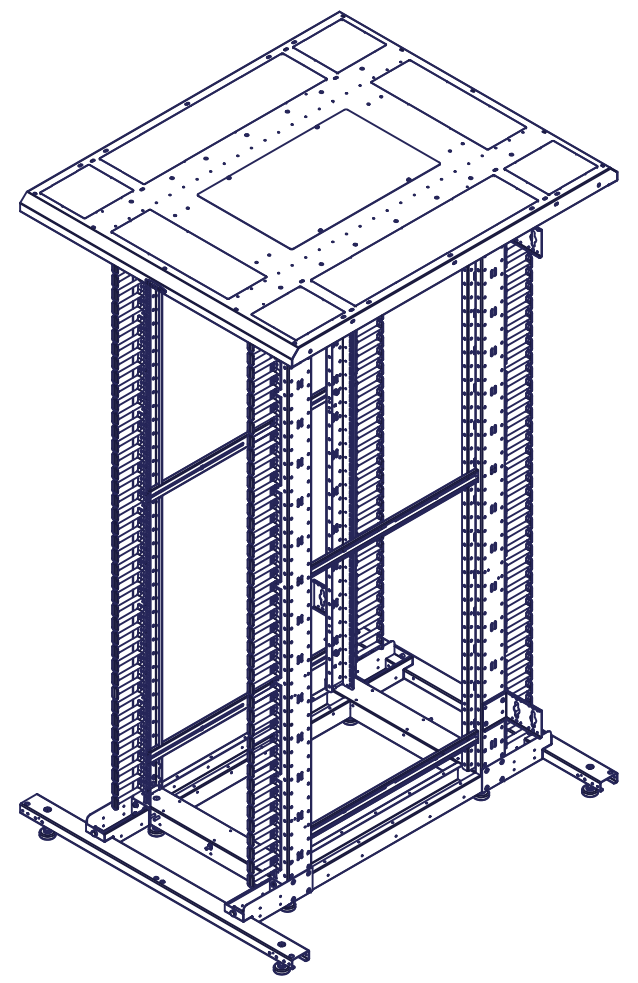


INDEPENDENT MOUNTING LOCATIONS FOR LADDERRACK BRACKETS OR TOP MOUNTED CABLE TROUGHS

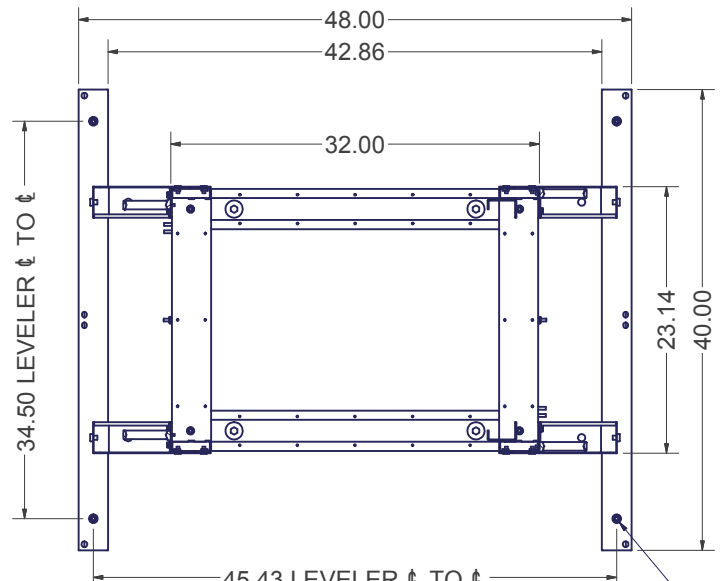
- TOP PANEL OPENING (273 sq.in.); SOLID, VENTED, OR WITH EXHAUST FANS UP TO 1100 CFM.
- 5.75 x 17.25 CABLE PASS THROUGH KNOCKOUT (99.19 sq.in.), 2 PLACES
- 6.63 x 7.25 CABLE PASS THROUGH KNOCKOUT (48.03 sq.in.), 4 PLACES
- 6.63 x 27.00 CABLE PASS THROUGH KNOCKOUT (178.88 sq.in.), 2 PLACES



TOP VIEW

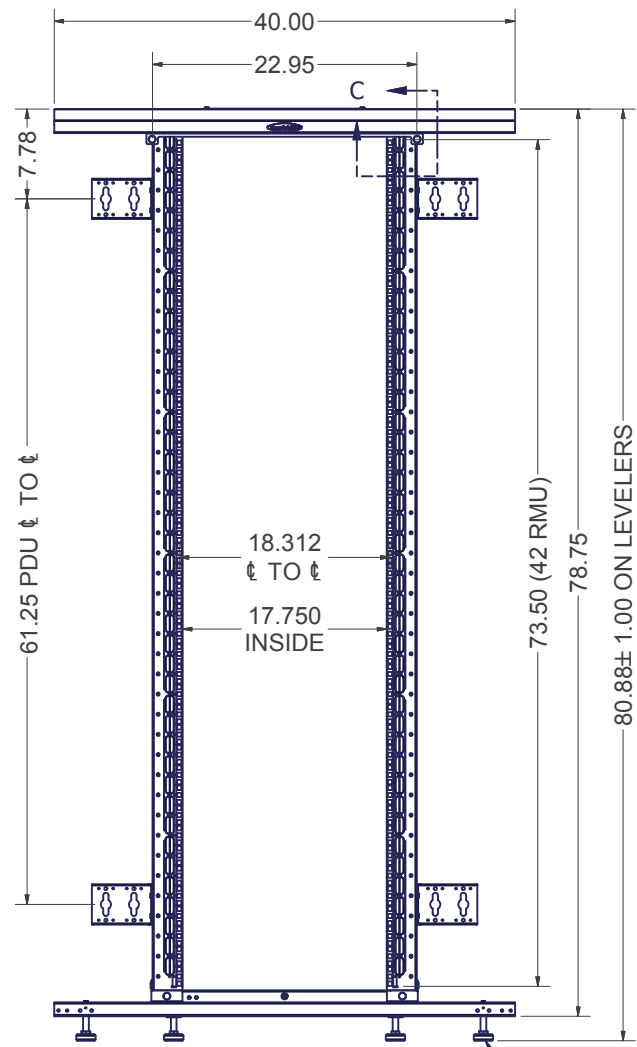


ISO VIEW



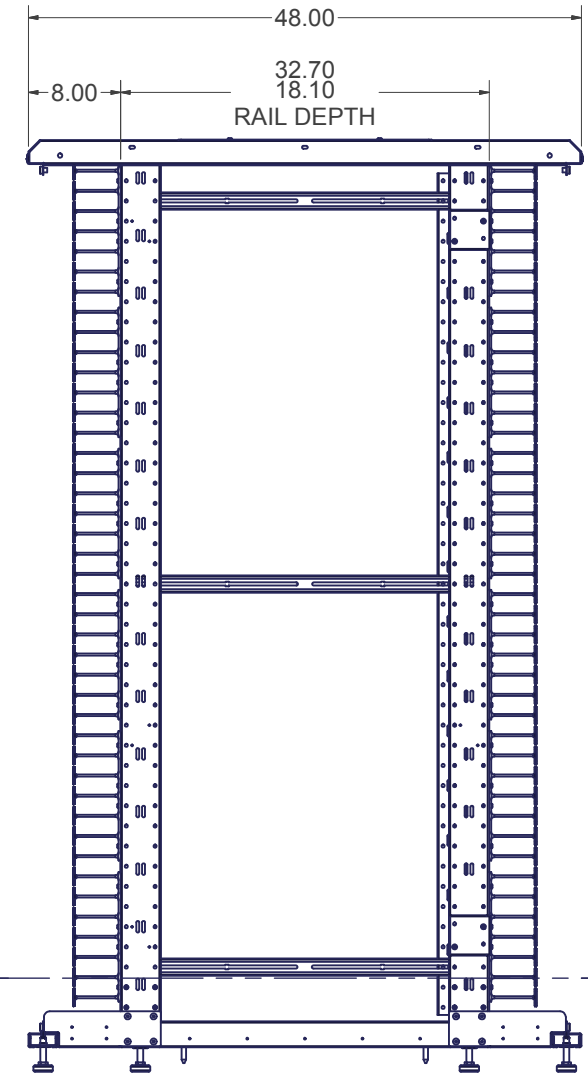
SECTION B-B

LEVELER MTG. LOCATIONS



FRONT VIEW

LEVELING GLIDES (8 INCLUDED) 1/2-13 UNC THREADED HOLES



RIGHT SIDE VIEW

SPECIFICATIONS:

CONFIG. # KIT INCLUDES: QTY. 1 7801ENX4048, BASE FRAME UNIT WITH RAILS

DIMENSIONS : 78.0"H x 40.0"W x 48.0"D

RACK SPACES : 42 RMU w/ NUMBERED RMU INDICATORS, 19" EIA 310-D COMPLIANT.

COLOR : DURABLE TEXTURED BLACK POWDER COATING

CONSTRUCTION : FULL WELDED CRS FRAME WITH RECESSED #12 GA CORNER POSTS
1 PAIR FIXED #12 GA RAILS, 1 PAIR ADJUSTABLE DEPTH #12 GA RAILS & SOLID CRS TOP PANEL

HARDWARE : PACKAGE OF QTY-50; #10-32 SCREWS -OR- M6 SCREWS W/ CAGE NUTS, INCLUDED.

EST. WEIGHT : 252.33 lbmass



INTERPRET DRAWING PER ASME Y14.5M-1994
DIMENSIONAL LIMITS APPLY AFTER APPLICATION OF FINISH
DRAWING NOT TO SCALE
TOLERANCE UNLESS OTHERWISE NOTED:
ANGULAR +/- .1"
.XXXX +/- .010
.XXX +/- .015
.XX +/- .030
.X FOR REF. ONLY
UNLESS OTHERWISE SPECIFIED ALL DIMENSIONS ARE IN INCHES

NOTICE:
Use of this document is subject to a confidentiality and nondisclosure agreement with Great Lakes Case & Cabinet Co., Inc. (GLCC) and may not be reproduced, disclosed or utilized in whole or in part without prior written authorization from GLCC.

PART NUMBER:	SEE CHART
QTY PER UNIT:	1
MATERIAL TYPE:	
MATERIAL GAUGE:	
FINISH:	
DRAWN:	DATE
PCS	10/14/2013
CHECKED & APP.:	DATE
WSS	2/8/11

TITLE	EN ENCLOSURE FRAME KIT. 78.75"H x 40"W x 48"D w/ 42 RU RAILS
GREAT LAKES CASE & CABINET CO., INC.	
P.O. BOX 551 EDINBORO, PA 16412	
PHONE (814) 734-7303 FAX (814) 734-3907	
E-MAIL glcc@greatcabinets.com	
DWG NO.	REV
SEE CHART	
SHEET: 1 OF 1	