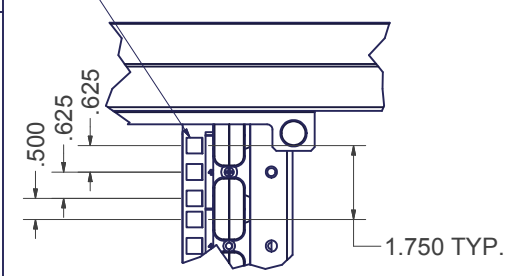


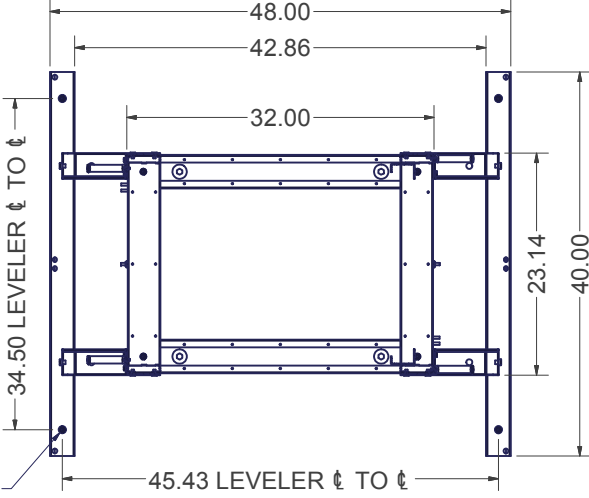
CONFIG PART #	
780ENT4048SSS-NS	780EN4048SSS-NS
EN FRAME 78"H x 40"W x 48"D WITH 2 PAIR OF 42 RMU #10-32 TAPPED RAILS, CABLE MANAGEMENT FINGERS ON ALL RAILS, SOLID TOP, DUAL HINGE PERF FRONT DOOR AND SPLIT PERF REAR DOOR	EN FRAME 78"H x 40"W x 48"D WITH 2 PAIR OF 42 RMU M6 RAILS, CABLE MANAGEMENT FINGERS ON ALL RAILS, SOLID TOP, DUAL HINGE PERF FRONT DOOR AND SPLIT PERF REAR DOOR

19" EIA 310-D COMPLIANT  
REF. PART # FOR:  
#10-32 TAPPED EQUIP. MTG. HOLES  
-OR-  
3/8" SQUARE EQUIP. MTG. HOLES  
W/ M6 HARDWARE

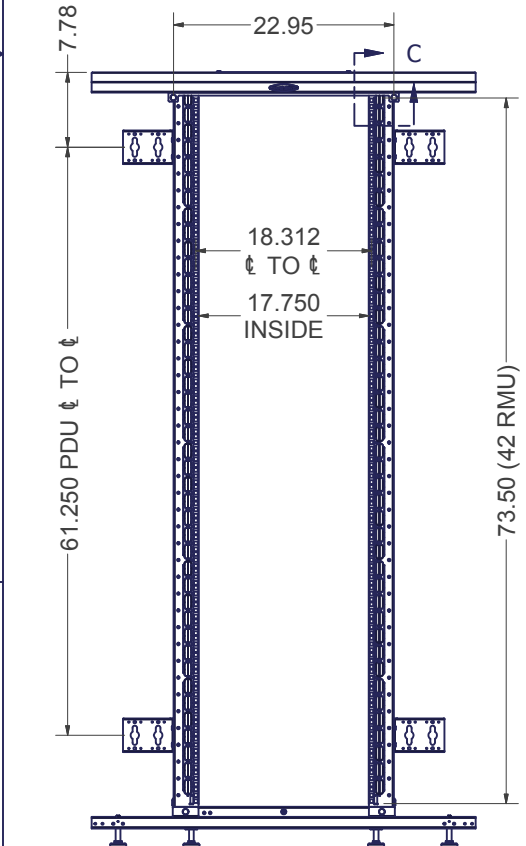


DETAIL C

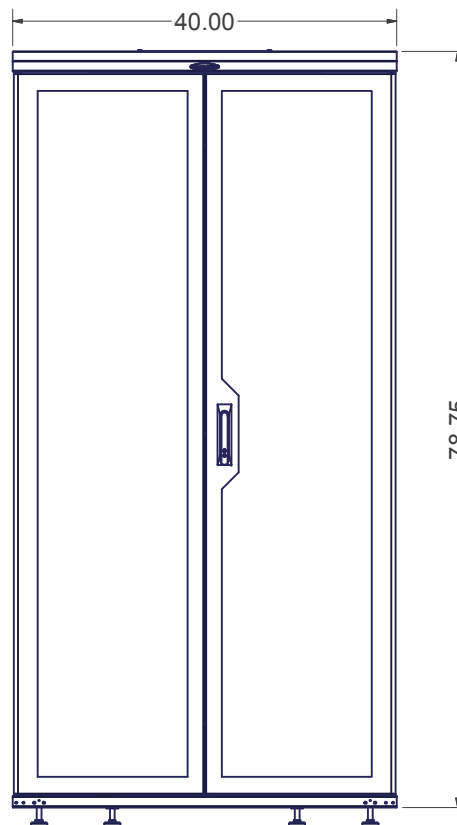
LEVELER MTG. HOLES



SECTION B-B  
DOORS REMOVED



FRONT VIEW  
DOORS REMOVED



FRONT VIEW

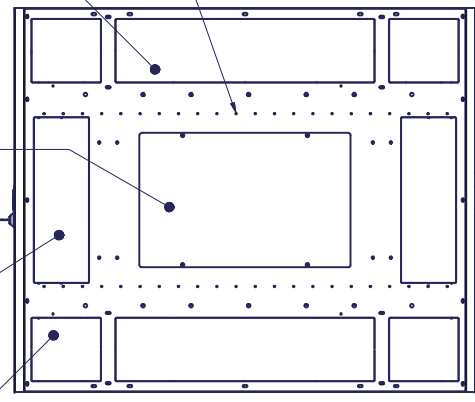
INDEPENDENT MOUNTING LOCATIONS FOR LADDERRACK BRACKETS OR TOP MOUNTED CABLE TROUGHS

6.63 x 27.00 CABLE PASS THROUGH KNOCKOUTS (179.0 sq.in.), 2 PLACES

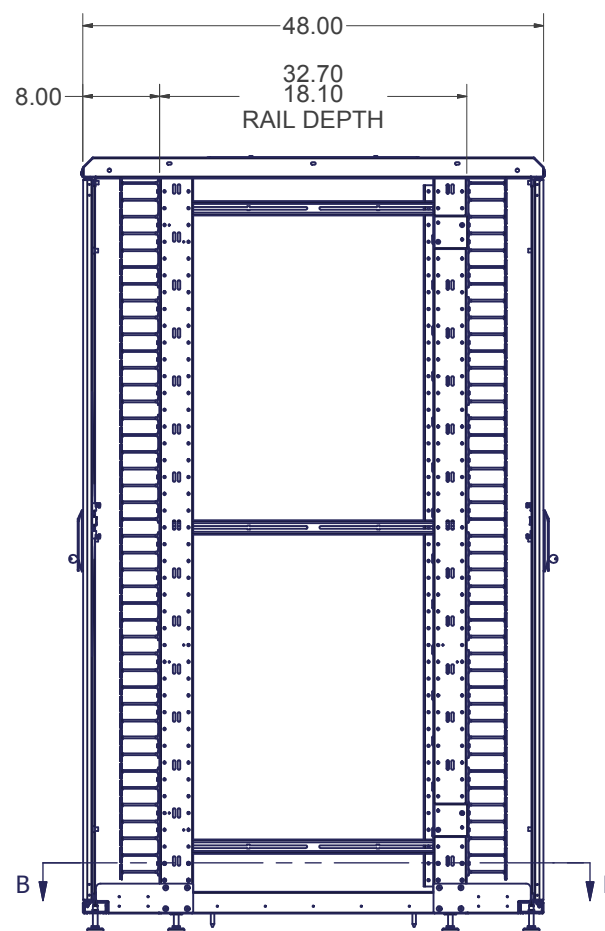
TOP PANEL OPENING (273 sq.in.) SOLID, VENTED OR w/EXHAUST FANS FLOWING UP TO 1100 CFM

5.75 x 17.25 CABLE PASS THROUGH KNOCKOUT (99.2 sq.in.) 2 PLACES

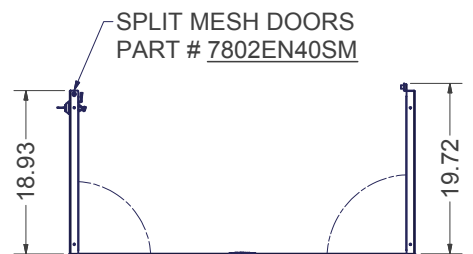
6.63 x 7.25 CABLE PASS THROUGH KNOCKOUT (48.1 sq.in.) 4 PLACES



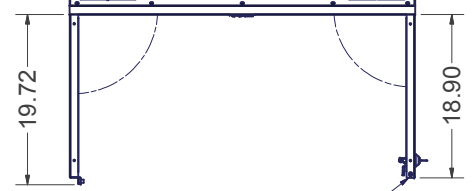
TOP VIEW



RIGHT SIDE VIEW

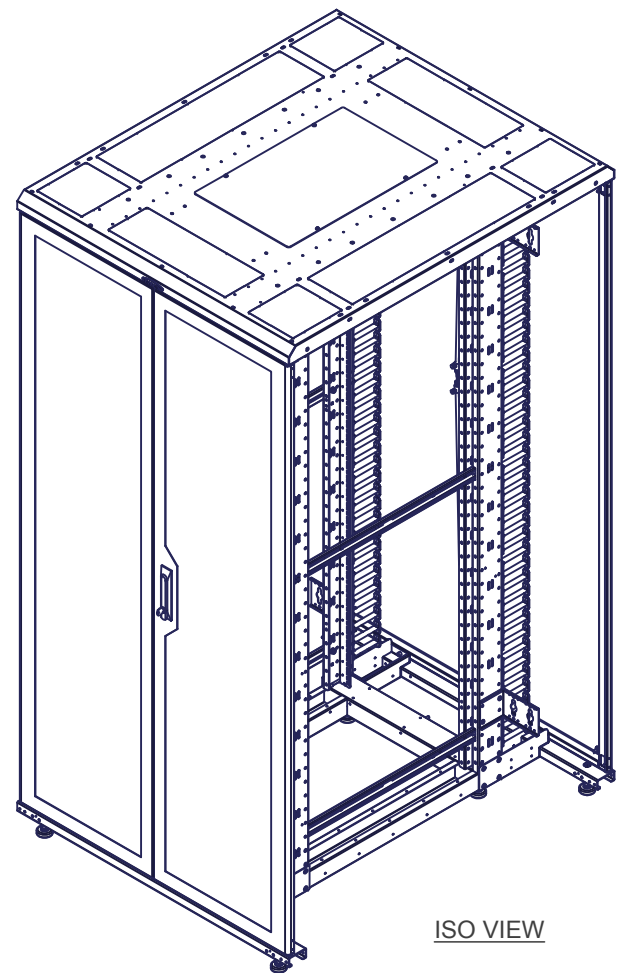


SPLIT MESH DOORS  
PART # 7802EN40SM



SPLIT MESH DOORS  
PART # 7802EN40SM

TOP VIEW



ISO VIEW

**SPECIFICATIONS:**

CONFIG. # KIT INCLUDES: QTY. 1 7801ENX4048, BASE FRAME UNIT WITH RAILS  
QTY. 2 7802EN40SM, SPLIT MESH FRONT/REAR DOOR ASSEMBLY

DIMENSIONS : 78.0"H x 40.0"W x 48.0"D

RACK SPACES : 42 RMU w/ NUMBERED RMU INDICATORS, 19" EIA 310-D COMPLIANT.

COLOR : DURABLE TEXTURED BLACK POWDER COATING

CONSTRUCTION : FULL WELDED FRAME WITH RECESSED #12 GA CORNER POSTS  
1 PAIR FIXED #12 GA RAILS, 1 PAIR ADJUSTABLE DEPTH #12 GA RAILS  
#16 C.R.S. DOORS& SOLID TOP PANEL

HARDWARE : PACKAGE OF QTY-50; #10-32 SCREWS -OR- M6 SCREWS W/ CAGE NUTS, INCLUDED.

EST. WEIGHT :  
359.63 lbmass



INTERPRET DRAWING PER ASME Y14.5M-1994
DIMENSIONAL LIMITS APPLY AFTER APPLICATION OF FINISH
DRAWING NOT TO SCALE
TOLERANCE UNLESS OTHERWISE NOTED:
ANGULAR +/- .1"
.XXXX +/- .010
.XXX +/- .015
.XX +/- .030
.X FOR REF. ONLY
UNLESS OTHERWISE SPECIFIED ALL DIMENSIONS ARE IN INCHES

**NOTICE:**  
Use of this document is subject to a confidentiality and nondisclosure agreement with Great Lakes Case & Cabinet Co., Inc. (GLCC) and may not be reproduced, disclosed or utilized in whole or in part without prior written authorization from GLCC.

PART NUMBER: SEE CHART	
QTY PER UNIT: 1	
MATERIAL TYPE: -	
MATERIAL GAUGE: -	
FINISH: -	
DRAWN PCS	DATE 10/14/2013
CHECKED & APP. WSS	DATE 2/9/2011

TITLE EN FRAME 78"H x 40"W x 48"D W/ 42 RMU RAILS AND SPLIT PERF FRONT AND REAR DOOR	DWG NO. REV
GREAT LAKES CASE & CABINET CO., INC. P.O. BOX 551 EDINBORO, PA 16412 PHONE (814) 734-7303 FAX (814) 734-3907 E-MAIL glcc@greatcabinets.com	SEE CHART
SHEET: 1 OF 1	