

CONFIG PART #

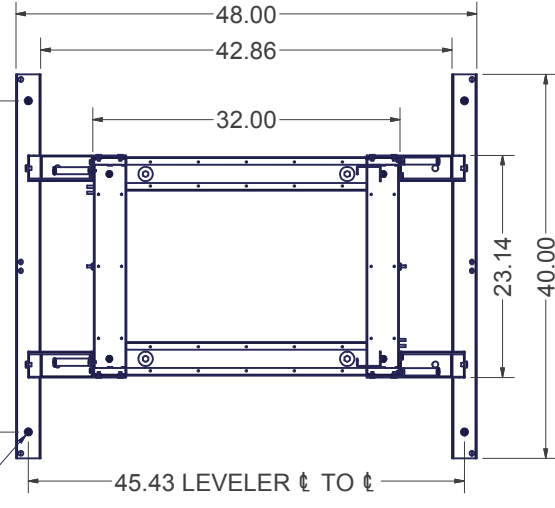
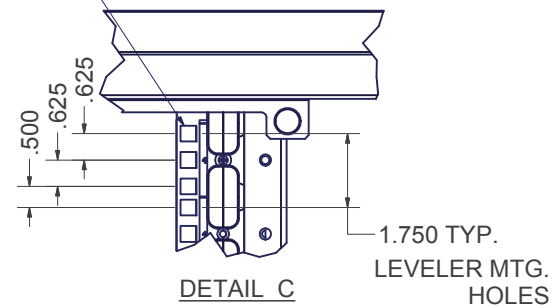
780ENT4048MSS

EN FRAME 78"H x 40"W x 48"D WITH 2 PAIR OF 42 RMU #10-32 TAPPED RAILS, CABLE MANAGEMENT FINGERS ON ALL RAILS, SOLID TOP, DUAL HINGE PERF FRONT DOOR, SPLIT PERF REAR DOOR AND SOLID SIDES

780EN4048MSS

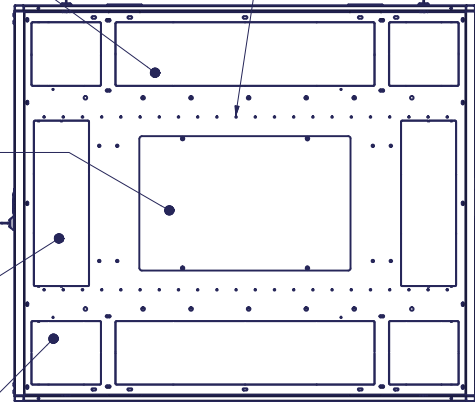
EN FRAME 78"H x 40"W x 48"D WITH 2 PAIR OF 42 RMU M6 RAILS, CABLE MANAGEMENT FINGERS ON ALL RAILS, SOLID TOP, DUAL HINGE PERF FRONT DOOR, SPLIT PERF REAR DOOR AND SOLID SIDES

19" EIA 310-D COMPLIANT REF. PART # FOR: #10-32 TAPPED EQUIP. MTG. HOLES -OR- 3/8" SQUARE EQUIP. MTG. HOLES W/ M6 HARDWARE

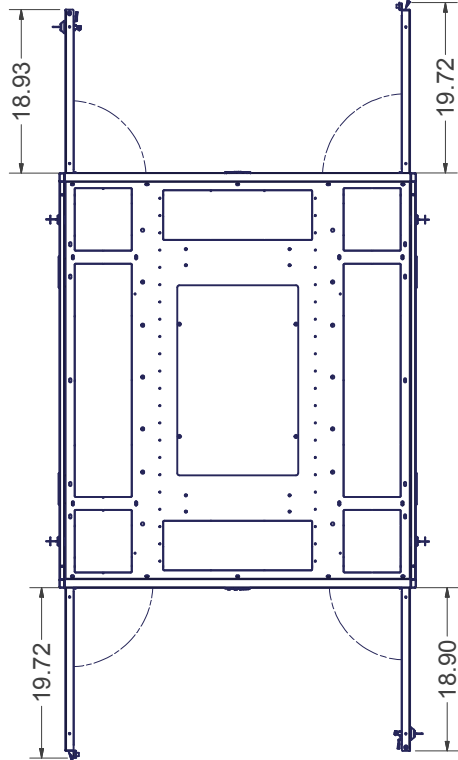


SECTION B-B
DOORS AND SIDES REMOVED

6.63 x 27.00 CABLE PASS THROUGH KNOCKOUTS (179.0 sq.in.), 2 PLACES
TOP PANEL OPENING (273 sq.in.) SOLID, VENTED OR w/EXHAUST FANS FLOWING UP TO 1100 CFM
5.75 x 17.25 CABLE PASS THROUGH KNOCKOUT (99.2 sq.in.) 2 PLACES
6.63 x 7.25 CABLE PASS THROUGH KNOCKOUT (48.1 sq.in.) 4 PLACES

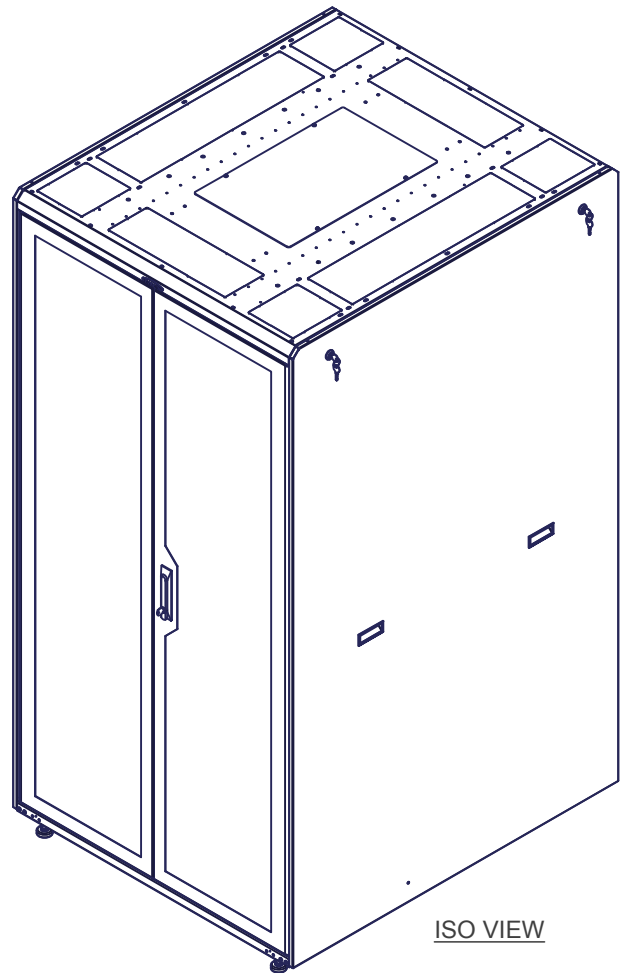


TOP VIEW

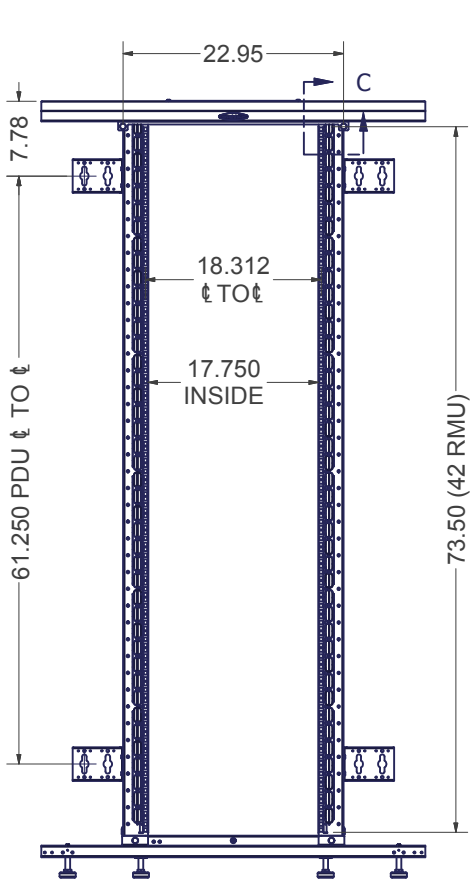


TOP VIEW

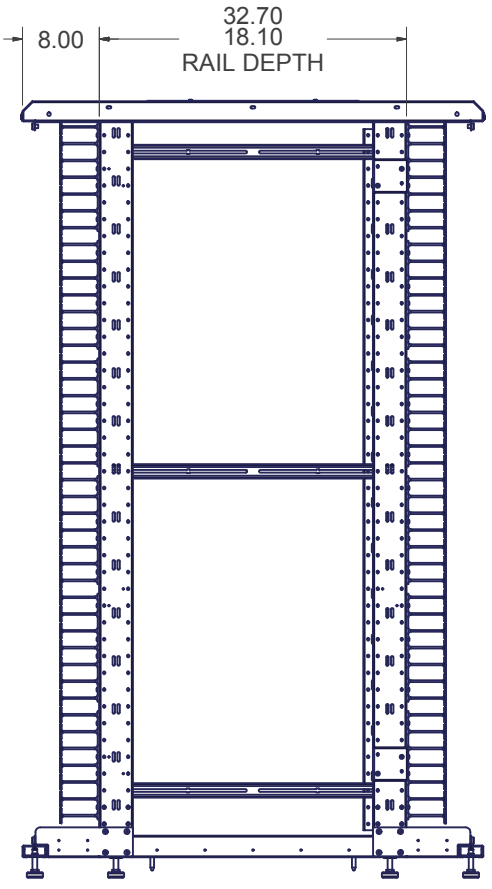
SPLIT MESH DOORS PART # 7802EN40SM



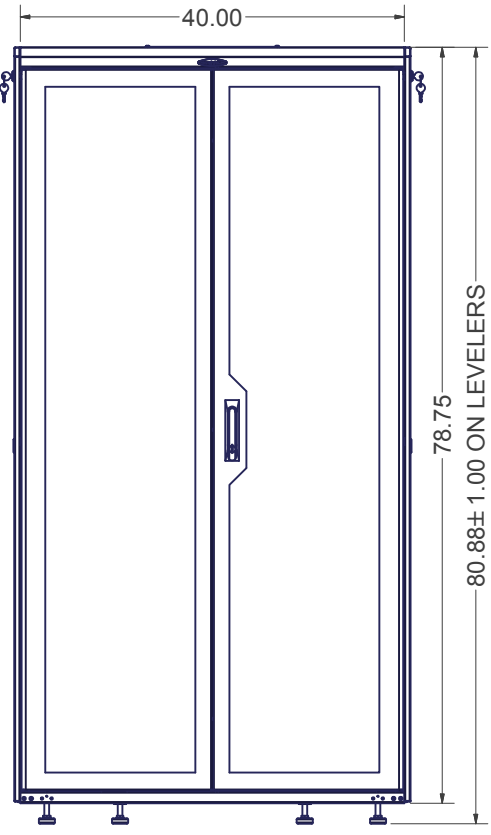
ISO VIEW



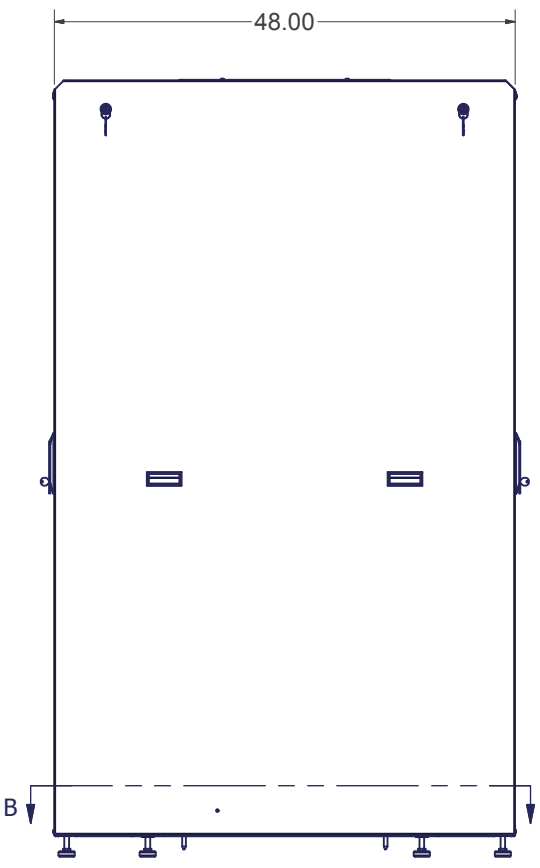
FRONT VIEW
DOORS AND SIDES REMOVED



LEFT SIDE VIEW



FRONT VIEW



RIGHT SIDE VIEW

SPECIFICATIONS:

CONFIG. # KIT INCLUDES: QTY. 1 7801ENX4048, BASE FRAME UNIT WITH RAILS
QTY. 2 7802EN40SM, SPLIT MESH FRONT/REAR DOOR ASSEMBLY
QTY. 2 7810421ENLS, SOLID LIFT-OFF SIDE PANEL ASSEMBLY

DIMENSIONS: 78.0"H x 40.0"W x 48.0"D

RACK SPACES: 42 RMU w/ NUMBERED RMU INDICATORS, 19" EIA 310-D COMPLIANT.

COLOR: DURABLE TEXTURED BLACK POWDER COATING

CONSTRUCTION: FULL WELDED FRAME WITH RECESSED #12 GA CORNER POSTS
1 PAIR FIXED #12 GA RAILS, 1 PAIR ADJUSTABLE DEPTH #12 GA RAILS
#16 C.R.S. DOORS& SOLID TOP PANEL

HARDWARE: PACKAGE OF QTY-50; #10-32 SCREWS -OR- M6 SCREWS W/ CAGE NUTS, INCLUDED.

INTERPRET DRAWING PER ASME Y14.5M-1994
DIMENSIONAL LIMITS APPLY AFTER APPLICATION OF FINISH
DRAWING NOT TO SCALE
TOLERANCE UNLESS OTHERWISE NOTED:
ANGULAR +/- .1"
.XXXX +/- .010
.XXX +/- .015
.XX +/- .030
.X FOR REF. ONLY
UNLESS OTHERWISE SPECIFIED ALL DIMENSIONS ARE IN INCHES

EST. WEIGHT : 421.37 lbmass
THIRD ANGLE PROJECTION

NOTICE:
Use of this document is subject to a confidentiality and nondisclosure agreement with Great Lakes Case & Cabinet Co., Inc. (GLCC) and may not be reproduced, disclosed or utilized in whole or in part without prior written authorization from GLCC.

PART NUMBER: 7801ENX4048SSS
QTY PER UNIT: 1
MATERIAL TYPE:
MATERIAL GAUGE:
FINISH:
DRAWN: PCS
DATE: 10/14/2013
CHECKED & APP.:
DATE: 2/9/2011

TITLE: EN FRAME 78"H x 40"W x 48"D W/ 42 RMU RAILS, SPLIT PERF FRONT AND REAR DOOR, AND SOLID SIDES
GREAT LAKES CASE & CABINET CO., INC. P.O. BOX 551 EDINBORO, PA 16412 PHONE (814) 734-7303 FAX (814) 734-3907 E-MAIL glcc@greatcabinets.com
DWG NO. REV
SEE CHART
SHEET: 1 OF 1