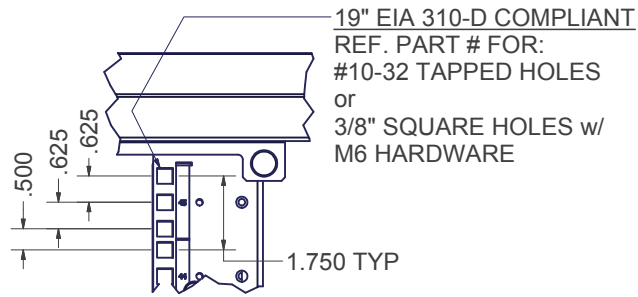
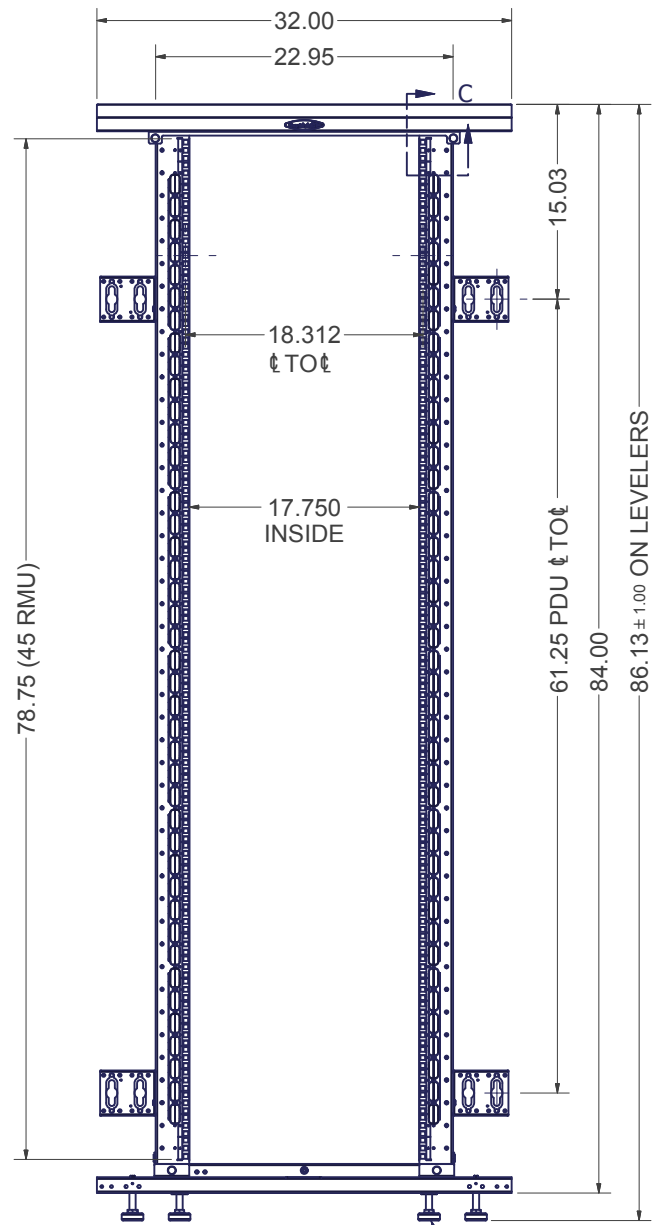


CONFIG PART #	
840ENT3242-FK	840EN3242-FK
EN FRAME 84"H x 32"W x 42"D WITH 2 PAIR OF 45 RMU #10-32 TAPPED RAILS AND CABLE MANAGEMENT FINGERS ON ALL RAILS	EN FRAME 84"H x 32"W x 42"D WITH 2 PAIR OF 45 RMU M6 RAILS AND CABLE MANAGEMENT FINGERS ON ALL RAILS

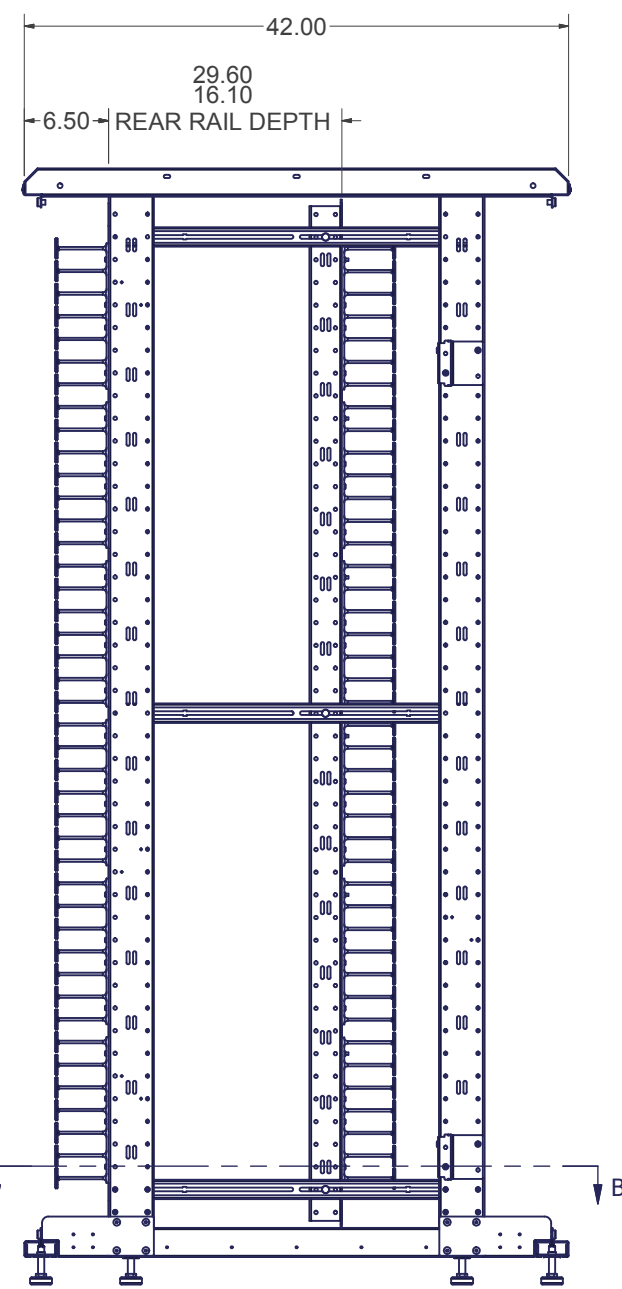


DETAIL C



FRONT VIEW

(8) LEVELING GLIDES IN 1/2-13 UNC THREADED HOLES



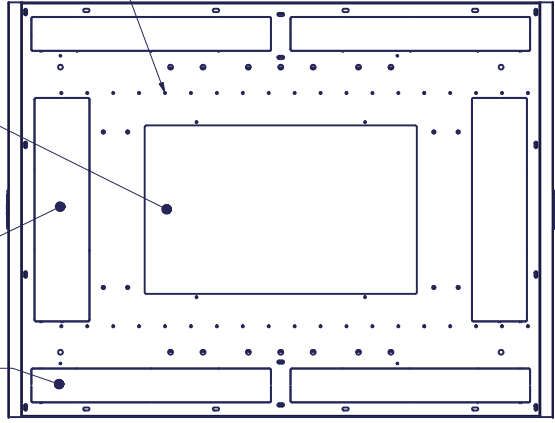
RIGHT SIDE VIEW

INDEPENDENT MOUNTING LOCATIONS FOR LADDER RACK BRACKETS OR TOP-MOUNTED CABLE TROUGHS

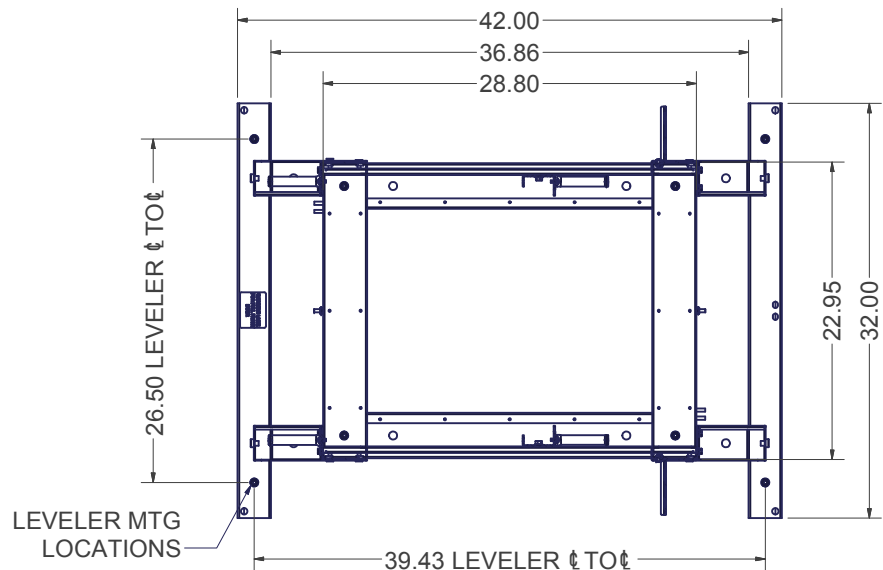
TOP PANEL OPENING (273 sq.in.); SOLID, VENTED, OR w/ EXHAUST FANS FLOWING UP TO 1100 CFM

4.25 x 17.25 CABLE PASS THROUGH KNOCKOUTS (73.3 sq.in.), 2 PLACES

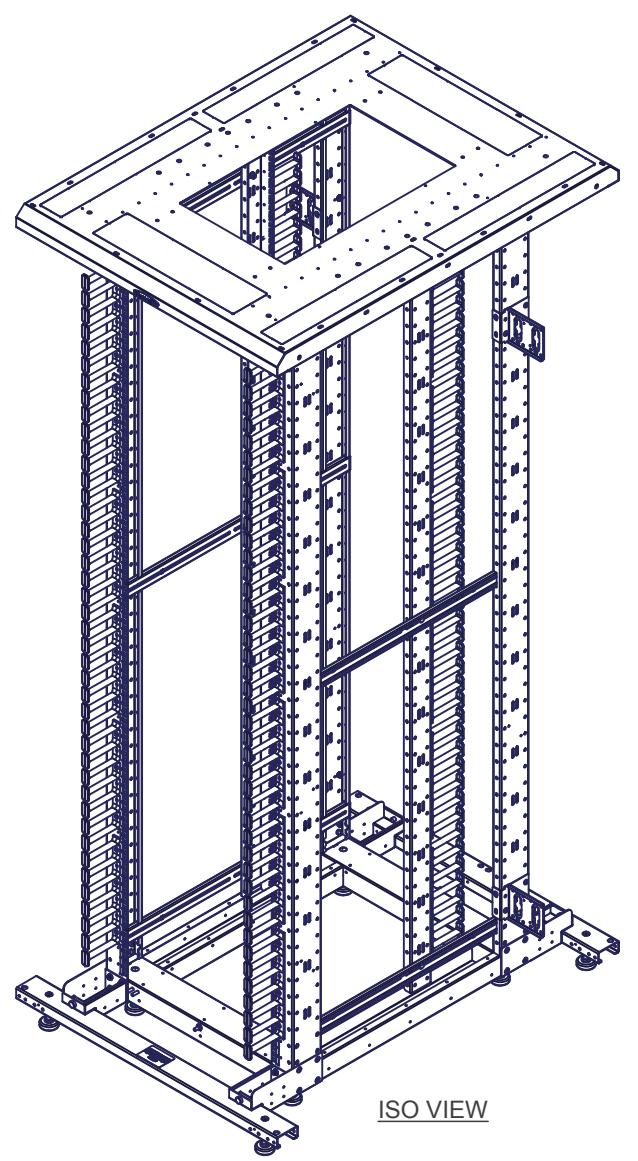
2.63 x 18.50 CABLE PASS THROUGH KNOCKOUTS (48.7 sq.in.), 4 PLACES



TOP VIEW



SECTION B-B



ISO VIEW

**SPECIFICATIONS:**

**CONFIG. # KIT INCLUDES:** QTY. 1 8401ENX3242, BASE FRAME UNIT WITH RAILS

**DIMENSIONS :** 84.0"H x 32.0"W x 42.0"D

**RACK SPACES :** 45 RMU w/ NUMBERED RMU INDICATORS, 19" EIA 310-D COMPLIANT.

**COLOR :** DURABLE TEXTURED BLACK POWDER COATING

**CONSTRUCTION :** FULL WELDED FRAME WITH RECESSED #12 GA CORNER POSTS  
1 PAIR FIXED #12 GA RAILS, 1 PAIR ADJUSTABLE DEPTH #12 GA RAILS w/ SOLID TOP PANEL

**HARDWARE :** PACKAGE OF QTY-50; #10-32 SCREWS -OR- M6 SCREWS W/ CAGE NUTS, INCLUDED.

EST. WEIGHT :  
263.69 lbmass



INTERPRET DRAWING PER ASME Y14.5M-1994  
DIMENSIONAL LIMITS APPLY AFTER APPLICATION OF FINISH  
DRAWING NOT TO SCALE  
TOLERANCE UNLESS OTHERWISE NOTED:  
ANGULAR +/- .1°  
.XXXX +/- .010  
.XXX +/- .015  
.XX +/- .030  
.X FOR REF. ONLY  
UNLESS OTHERWISE SPECIFIED ALL DIMENSIONS ARE IN INCHES

**NOTICE:**  
Use of this document is subject to a confidentiality and nondisclosure agreement with Great Lakes Case & Cabinet Co., Inc. (GLCC) and may not be reproduced, disclosed or utilized in whole or in part without prior written authorization from GLCC.

PART NUMBER: SEE CHART	
QTY PER UNIT:	1
MATERIAL TYPE:	-
MATERIAL GAUGE:	-
FINISH:	-
DRAWN CD	DATE 2/8/2011
CHECKED & APP. WSS	DATE 5/15/2014

TITLE EN FRAME 84"H x 32"W x 42"D AND 45 RMU RAILS	
GREAT LAKES CASE & CABINET CO., INC. P.O. BOX 551 EDINBORO, PA 16412 PHONE (814) 734-7303 FAX (814) 734-3907 E-MAIL glcc@greatcabinets.com	
DWG NO.	REV
SEE CHART	SEE CHART
SHEET: 1 OF 1	