

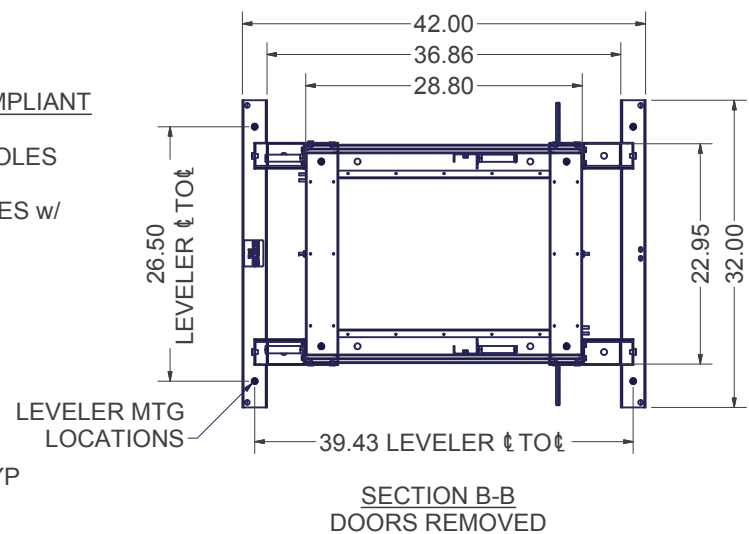
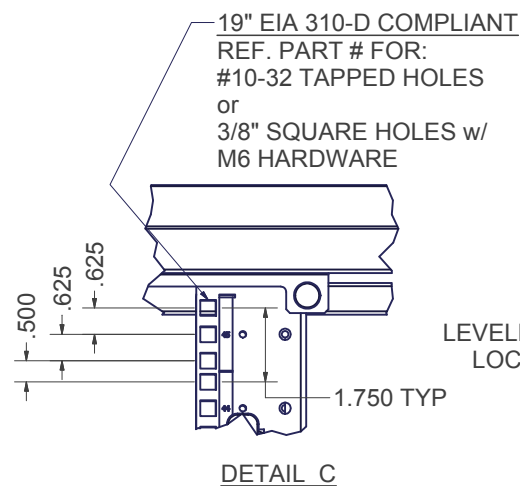
CONFIG PART #

840ENT3242MSS-NS

EN FRAME 84"H x 32"W x 42"D WITH 2 PAIR OF 45 RMU #10-32 TAPPED RAILS, CABLE MANAGEMENT FINGERS ON ALL RAILS, SOLID TOP, DUAL HINGE PERF FRONT DOOR AND SPLIT PERF REAR DOOR

840EN3242MSS-NS

EN FRAME 84"H x 32"W x 42"D WITH 2 PAIR OF 45 RMU M6 RAILS, CABLE MANAGEMENT FINGERS ON ALL RAILS, SOLID TOP, DUAL HINGE PERF FRONT DOOR AND SPLIT PERF REAR DOOR



INDEPENDENT MOUNTING LOCATIONS FOR LADDER RACK BRACKETS OR TOP-MOUNTED CABLE TROUGHS

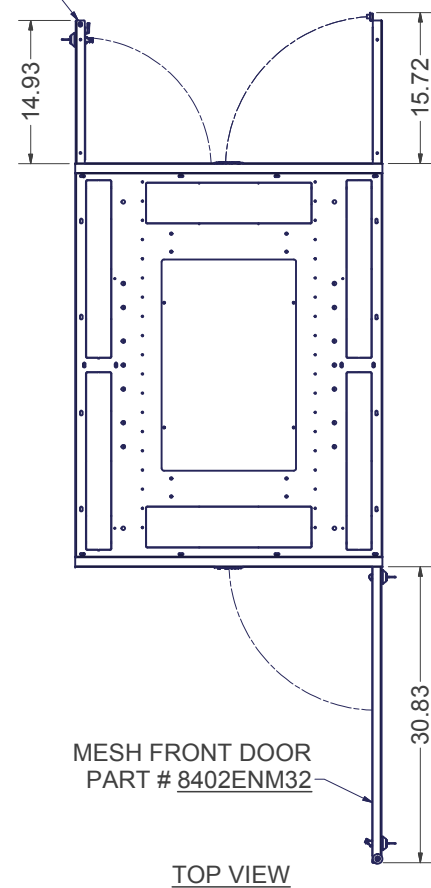
TOP PANEL OPENING (273 sq.in.); SOLID, VENTED, OR w/ EXHAUST FANS FLOWING UP TO 1100 CFM

4.25 x 17.25 CABLE PASS THROUGH KNOCKOUTS (73.3 sq.in.), 2 PLACES

2.63 x 18.50 CABLE PASS THROUGH KNOCKOUTS (48.7 sq.in.), 4 PLACES

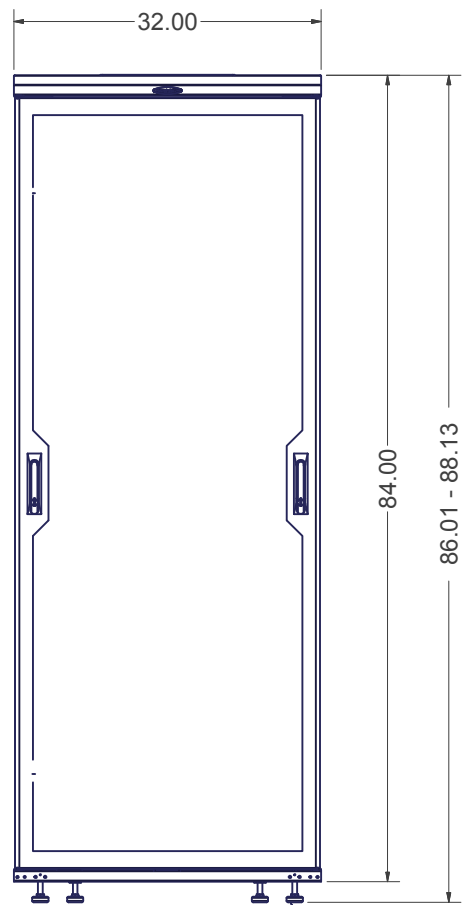
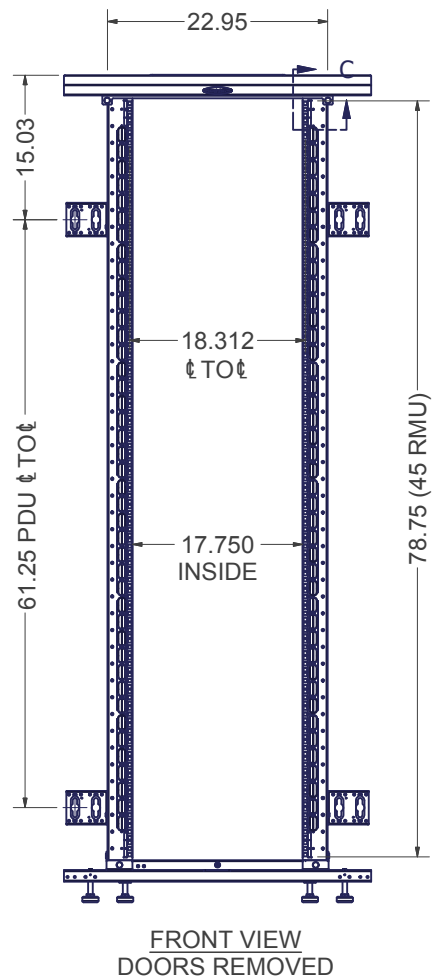
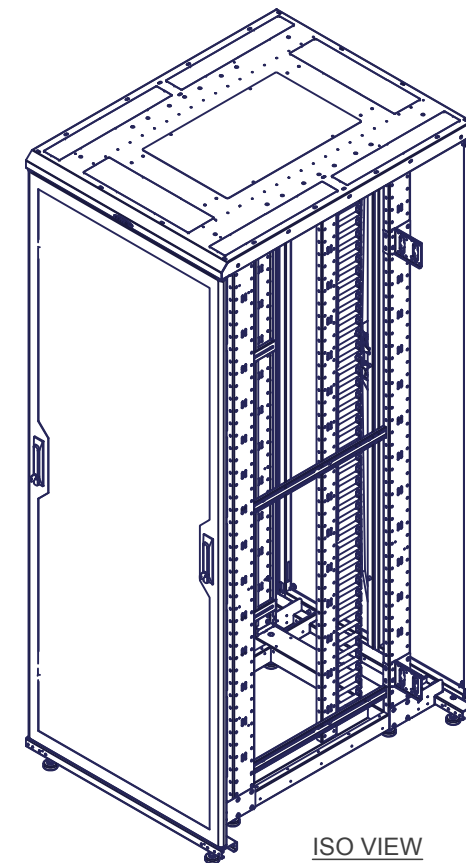
TOP VIEW

SPLIT MESH REAR DOORS PART # 8402EN32SM



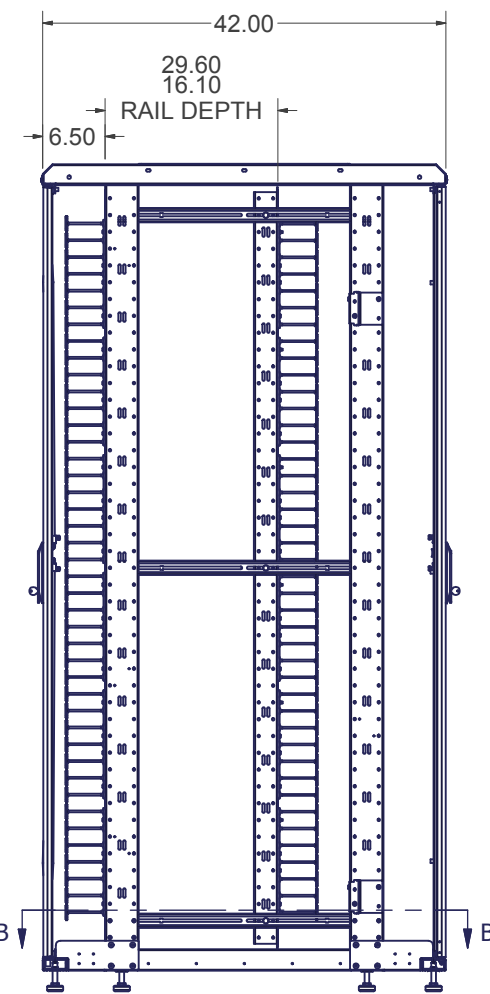
MESH FRONT DOOR PART # 8402ENM32

TOP VIEW



FRONT VIEW

LEVELING GLIDES (8 INCLUDED) 1/2-13 UNC THREADED HOLES



RIGHT SIDE VIEW

EST. WEIGHT : 355.56 lbmass



INTERPRET DRAWING PER ASME Y14.5M-1994
DIMENSIONAL LIMITS APPLY AFTER APPLICATION OF FINISH
DRAWING NOT TO SCALE
TOLERANCE UNLESS OTHERWISE NOTED:
ANGULAR +/- .1°
.XXXX +/- .010
.XXX +/- .015
.XX +/- .030
.X FOR REF. ONLY

UNLESS OTHERWISE SPECIFIED ALL DIMENSIONS ARE IN INCHES

NOTICE:

Use of this document is subject to a confidentiality and nondisclosure agreement with Great Lakes Case & Cabinet Co., Inc. (GLCC) and may not be reproduced, disclosed or utilized in whole or in part without prior written authorization from GLCC.

PART NUMBER:	SEE CHART
QTY PER UNIT:	1
MATERIAL TYPE:	
MATERIAL GAUGE:	
FINISH:	
DRAWN CD	DATE 2/8/2011
CHECKED & APP. WSS	DATE 5/15/2014

TITLE	EN FRAME 84"H x 32"W x 42"D WITH DUAL HINGE PERF FRONT DOOR, SPLIT PERF REAR DOOR AND 45 RU RAILS
GREAT LAKES CASE & CABINET CO., INC. P.O. BOX 551 EDINBORO, PA 16412 PHONE (814) 734-7303 FAX (814) 734-3907 E-MAIL glcc@greatcabinets.com	
DWG NO.	REV
SEE CHART	