

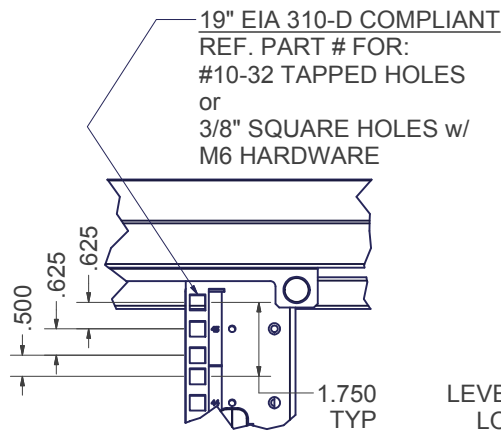
CONFIG PART #

840ENT3242MSS

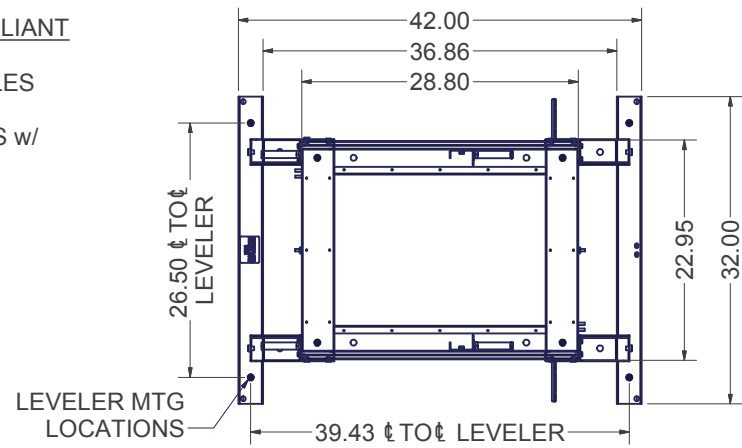
840EN3242MSS

EN FRAME 84"H x 32"W x 42"D WITH 2 PAIR OF 45 RMU #10-32 TAPPED RAILS, CABLE MANAGEMENT FINGERS ON ALL RAILS, SOLID TOP, DUAL HINGE PERF FRONT DOOR, SPLIT PERF REAR DOOR AND SOLID SIDES

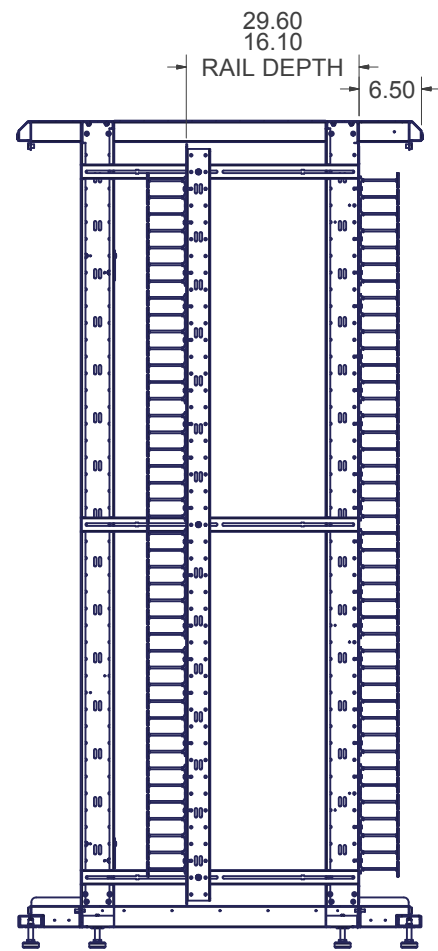
EN FRAME 84"H x 32"W x 42"D WITH 2 PAIR OF 45 RMU M6 RAILS, CABLE MANAGEMENT FINGERS ON ALL RAILS, SOLID TOP, DUAL HINGE PERF FRONT DOOR, SPLIT PERF REAR DOOR AND SOLID SIDES



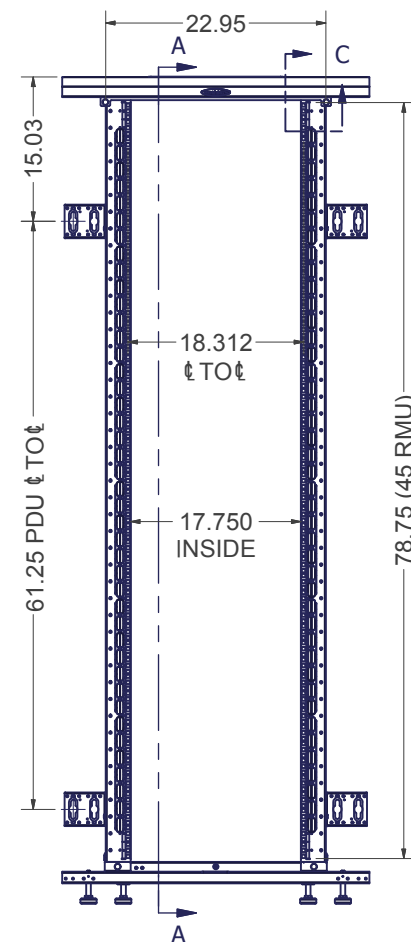
DETAIL C



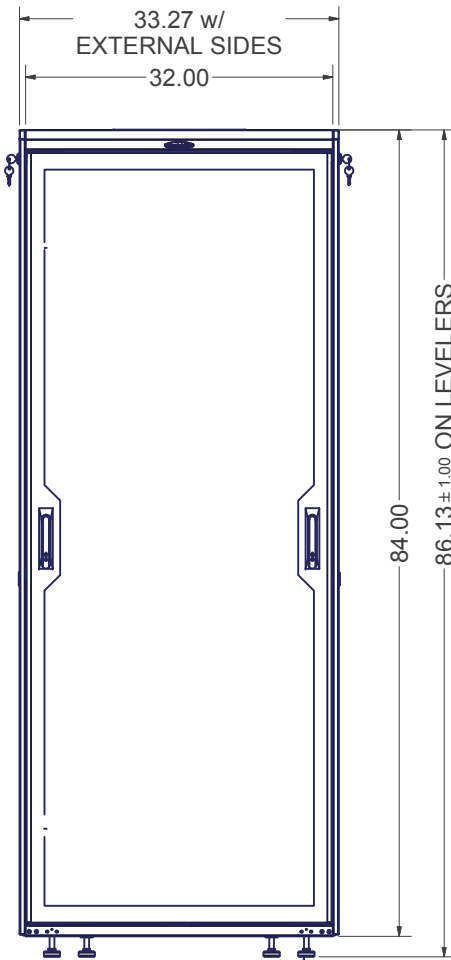
SECTION B-B
DOORS AND SIDES REMOVED



SECTION A-A



FRONT VIEW
DOORS AND SIDES REMOVED



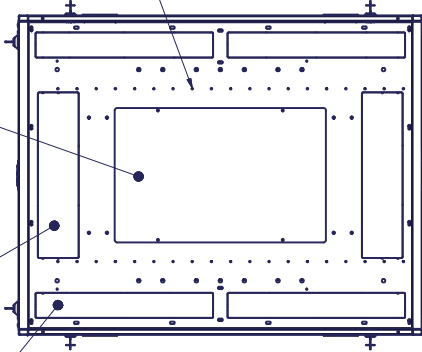
FRONT VIEW

INDEPENDENT MOUNTING LOCATIONS FOR LADDER RACK BRACKETS OR TOP-MOUNTED CABLE TROUGHS

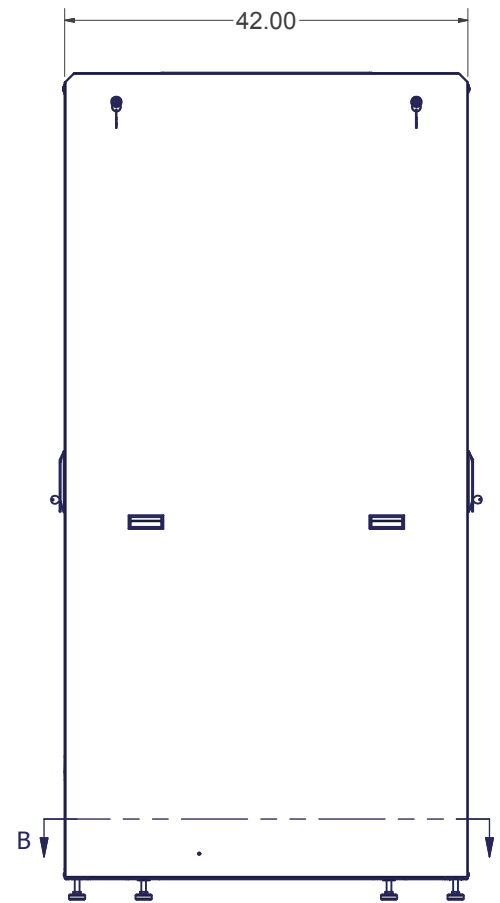
TOP PANEL OPENING (273 sq.in.); SOLID, VENTED, OR W/ EXHAUST FANS FLOWING UP TO 1100 CFM

4.25 x 17.25 CABLE PASS THROUGH KNOCKOUTS (73.3 sq.in.), 2 PLACES

2.63 x 18.50 CABLE PASS THROUGH KNOCKOUTS (48.7 sq.in.), 4 PLACES



TOP VIEW



RIGHT SIDE VIEW

(8)LEVELING GLIDES IN 1/2-13 UNC THREADED HOLES

EST. WEIGHT : 415.02 lbmass



INTERPRET DRAWING PER ASME Y14.5M-1994
DIMENSIONAL LIMITS APPLY AFTER APPLICATION OF FINISH
DRAWING NOT TO SCALE
TOLERANCE UNLESS OTHERWISE NOTED:
ANGULAR +/- .1°
.XXXX +/- .010
.XXX +/- .015
.XX +/- .030
.X FOR REF. ONLY
UNLESS OTHERWISE SPECIFIED ALL DIMENSIONS ARE IN INCHES

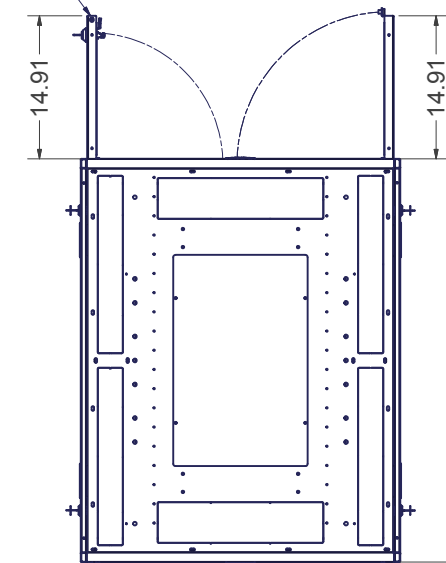
NOTICE:

Use of this document is subject to a confidentiality and nondisclosure agreement with Great Lakes Case & Cabinet Co., Inc. (GLCC) and may not be reproduced, disclosed or utilized in whole or in part without prior written authorization from GLCC.

PART NUMBER:	SEE CHART
QTY PER UNIT:	1
MATERIAL TYPE:	-
MATERIAL GAUGE:	-
FINISH:	-
DRAWN:	DATE
CD	2/8/2011
CHECKED & APP.:	DATE
WSS	5/15/2014

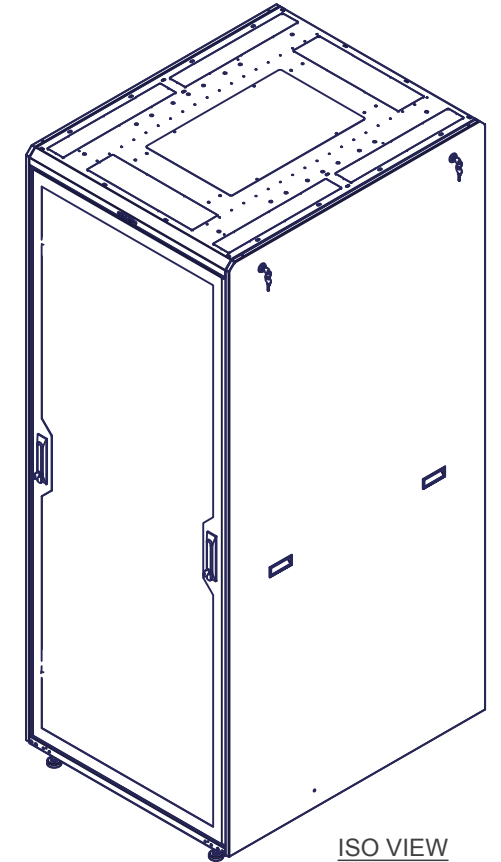
TITLE	EN FRAME 84"H x 32"W x 42"D W/ DUAL HINGE PERF FRONT DOOR, SPLIT PERF REAR DOOR, SOLID SIDES AND 45 RU RAILS
GREAT LAKES CASE & CABINET CO., INC.	
P.O. BOX 551 EDINBORO, PA 16412	
PHONE (814) 734-7303 FAX (814) 734-3907	
E-MAIL glcc@greatcabinets.com	
DWG NO.:	REV
SEE CHART	SEE CHART
SHEET: 1 OF 1	

SPLIT MESH REAR DOORS PART # 8402EN32SM



MESH FRONT DOOR PART # 8402ENM32

TOP VIEW



ISO VIEW

SPECIFICATIONS:

CONFIG. # KIT INCLUDES: QTY. 1 8401ENX3242, BASE FRAME UNIT WITH RAILS
QTY. 1 8402EN32SM, SPLIT MESH REAR DOOR ASSEMBLY
QTY. 1 8402ENM32, MESH FRONT DOOR ASSEMBLY
QTY. 2 8410421ENLS, SOLID LIFT-OFF SIDE PANEL ASSEMBLY

DIMENSIONS : 84.0"H x 32.0"W x 42.0"D

RACK SPACES : 45 RMU w/ NUMBERED RMU INDICATORS, 19" EIA 310-D COMPLIANT.

COLOR : DURABLE TEXTURED BLACK POWDER COATING

CONSTRUCTION : FULL WELDED FRAME WITH RECESSED #12 GA CORNER POSTS
1 PAIR FIXED #12 GA RAILS, 1 PAIR ADJUSTABLE DEPTH #12 GA RAILS
#16 C.R.S. DOORS & SOLID TOP PANEL, w/ ALUMINUM SIDE PANELS

HARDWARE : PACKAGE OF QTY-50; #10-32 SCREWS -OR- M6 SCREWS W/ CAGE NUTS