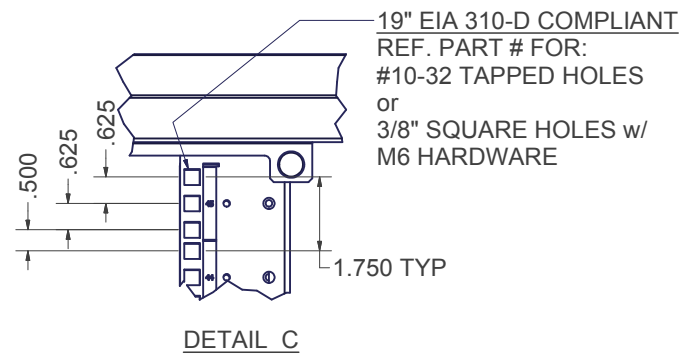


CONFIG PART #	
840ENT3248-FK	840EN3248-FK
EN FRAME 84"H x 32"W x 48"D WITH 2 PAIR OF 45 RMU #10-32 TAPPED RAILS, CABLE MANAGMENT FINGERS ON ALL RAILS	EN FRAME 84"H x 32"W x 48"D WITH 2 PAIR OF 45 RMU M6 RAILS, CABLE MANAGMENT FINGERS ON ALL RAILS



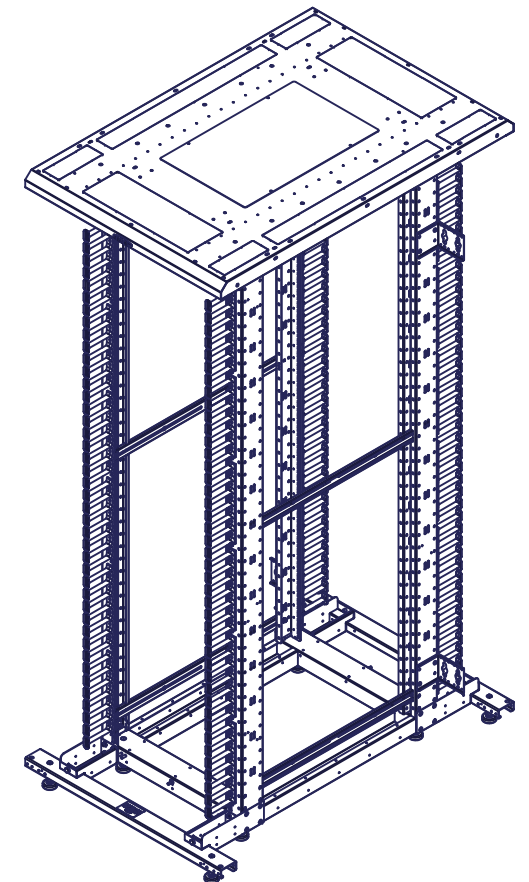
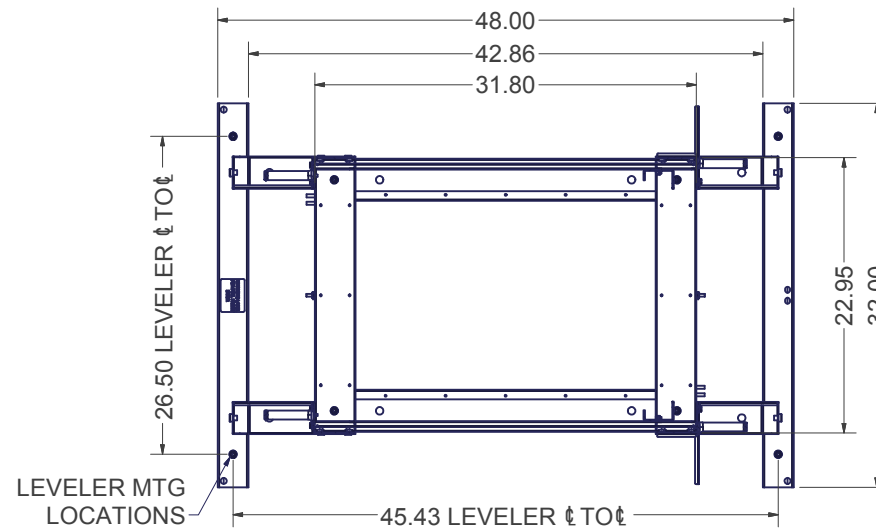
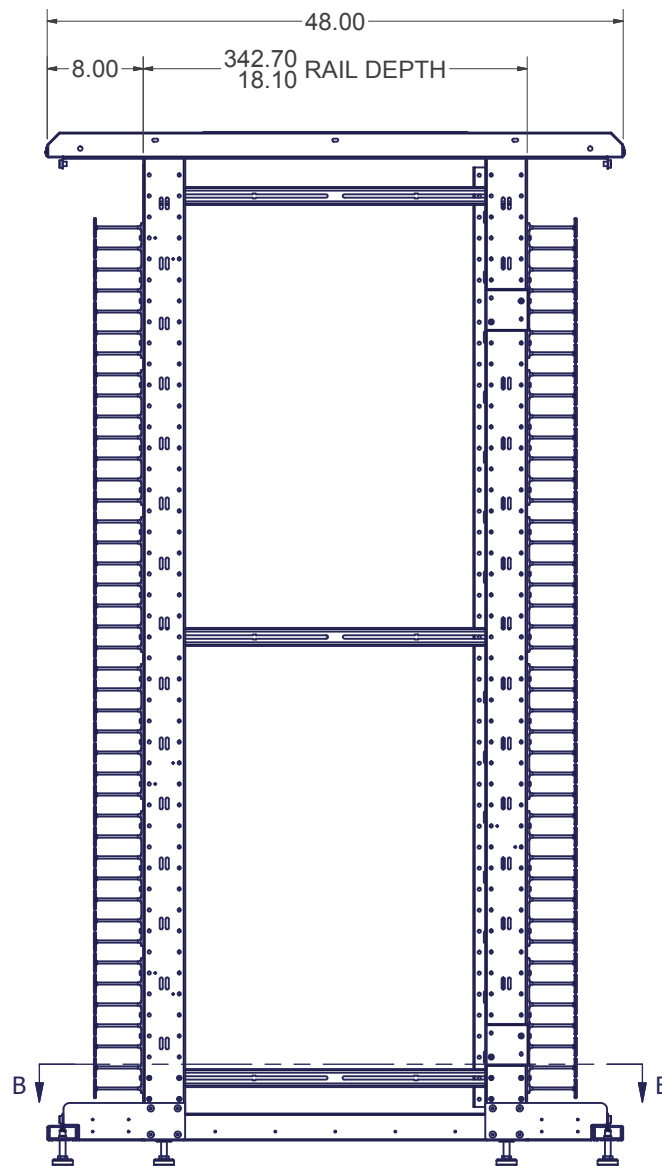
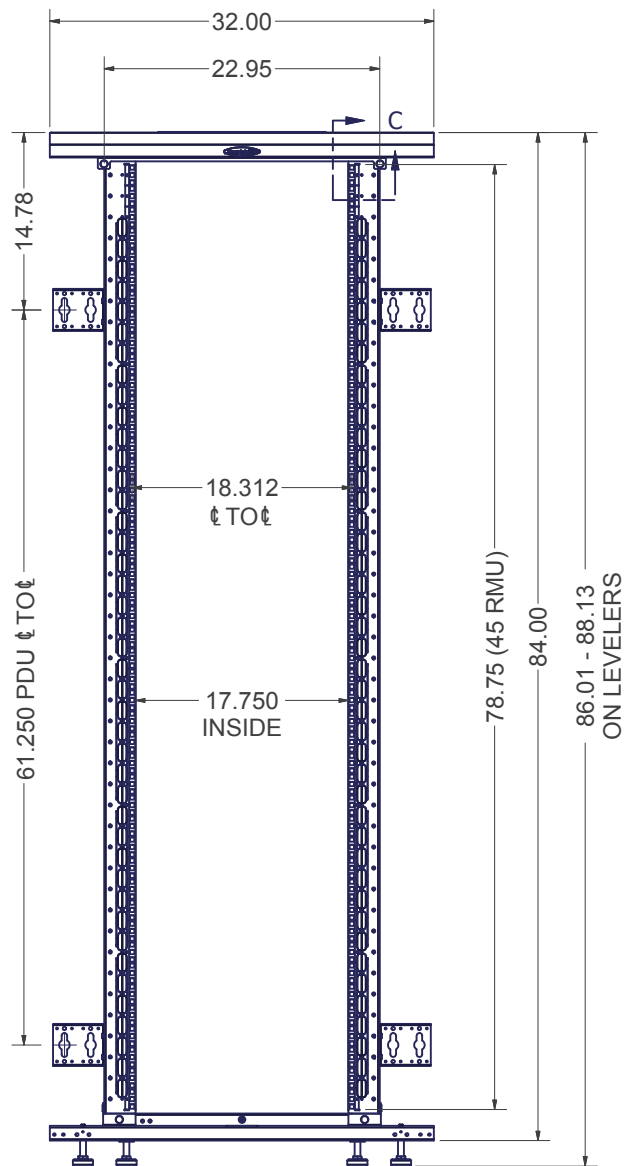
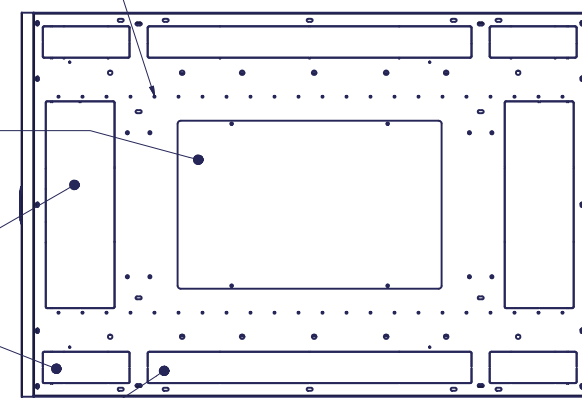
INDEPENDENT MOUNTING LOCATIONS FOR LADDER RACK BRACKETS OR TOP MOUNTED CABLE TROUGHS

TOP PANEL OPENING (273 sq.in.) SOLID, VENTED, OR w/ EXHAUST FANS FOR UP TO 1100 CFM

5.75 x 17.25 CABLE PASS THROUGH KNOCKOUT (99.2 sq.in.), 2 PLACES

2.63 x 7.25 CABLE PASS THROUGH KNOCKOUTS (19.1 sq.in.), 4 PLACES

2.63 x 27.00 CABLE PASS THROUGH KNOCKOUTS (71 sq.in.), 2 PLACES



**SPECIFICATIONS:**

**CONFIG. # KIT INCLUDES:** QTY. 1 8401ENX3248, BASE FRAME UNIT WITH RAILS

**DIMENSIONS :** 84.0"H x 32.0"W x 48.0"D

**RACK SPACES :** 45 RMU w/ NUMBERED RMU INDICATORS, 19" EIA 310-D COMPLIANT.

**COLOR :** DURABLE TEXTURED BLACK POWDER COATING

**CONSTRUCTION :** FULL WELDED FRAME WITH RECESSED #12 GA CORNER POSTS, 1 PAIR FIXED #12 GA RAILS, 1 PAIR ADJUSTABLE DEPTH #12 GA RAILS, & CRS SOLID TOP PANEL

**HARDWARE :** PACKAGE OF QTY-50; #10-32 SCREWS -OR- M6 SCREWS W/ CAGE NUTS, INCLUDED.

INTERPRET DRAWING PER ASME Y14.5M-1994
DIMENSIONAL LIMITS APPLY AFTER APPLICATION OF FINISH
DRAWING NOT TO SCALE
TOLERANCE UNLESS OTHERWISE NOTED:
ANGULAR +/- .1°
.XXXX +/- .010
.XXX +/- .015
.XX +/- .030
.X FOR REF. ONLY

**NOTICE:**  
Use of this document is subject to a confidentiality and nondisclosure agreement with Great Lakes Case & Cabinet Co., Inc. (GLCC) and may not be reproduced, disclosed or utilized in whole or in part without prior written authorization from GLCC.

PART NUMBER:	SEE CHART
QTY PER UNIT:	1
MATERIAL TYPE:	
MATERIAL GAUGE:	
FINISH:	
DRAWN CD	DATE 2/9/2011
CHECKED & APP. WSS	DATE 2/8/11

TITLE	EN ENCLOSURE FRAME KIT, 84"H x 32"W x 48"D, w/ 45 RU RAILS & SOLID TOP PANEL
GREAT LAKES CASE & CABINET CO., INC. P.O. BOX 551 EDINBORO, PA 16412 PHONE (814) 734-7303 FAX (814) 734-3907 E-MAIL glcc@greatcabinets.com	
DWG NO:	REV
SEE CHART	



UNLESS OTHERWISE SPECIFIED ALL DIMENSIONS ARE IN INCHES