

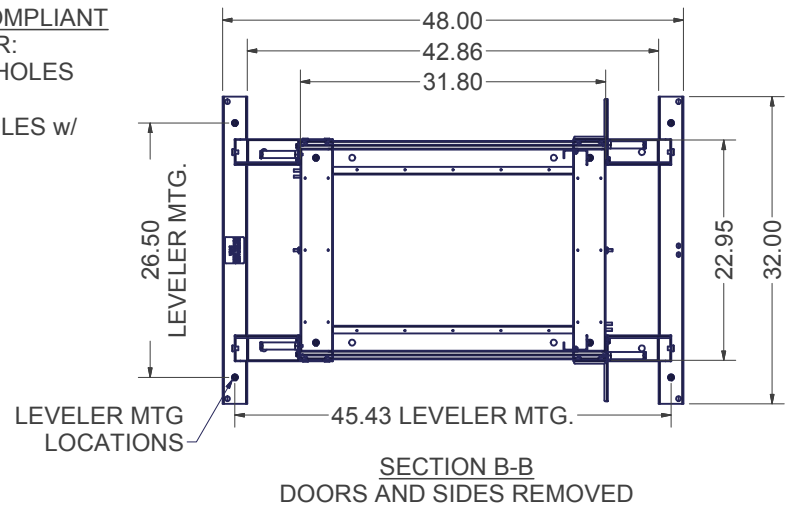
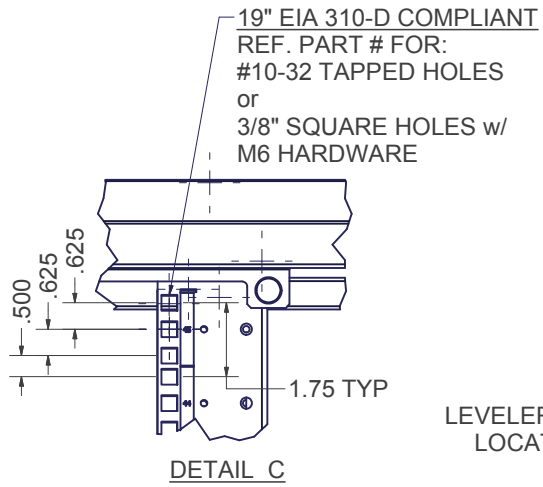
CONFIG PART #

840ENT3248MSS

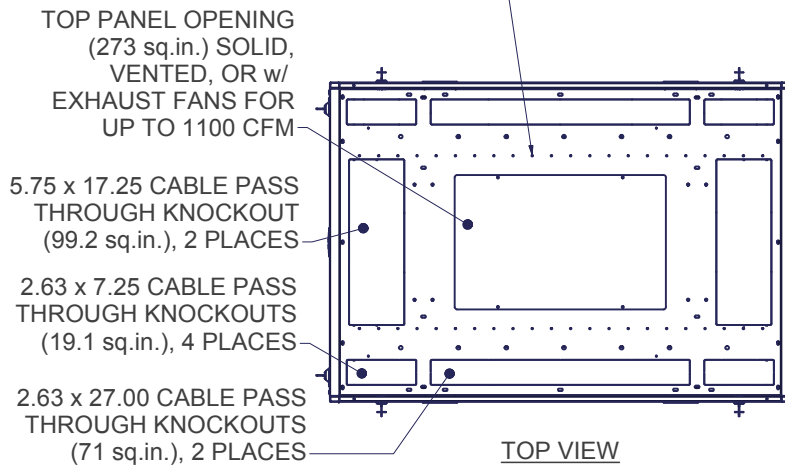
840EN3248MSS

EN FRAME 84"H x 32"W x 48"D WITH 2 PAIR OF 45 RMU #10-32 TAPPED RAILS, CABLE MANAGEMENT FINGERS ON ALL RAILS, SOLID TOP, DUAL HINGE PERF FRONT DOOR, SPLIT PERF REAR DOOR AND SOLID SIDES

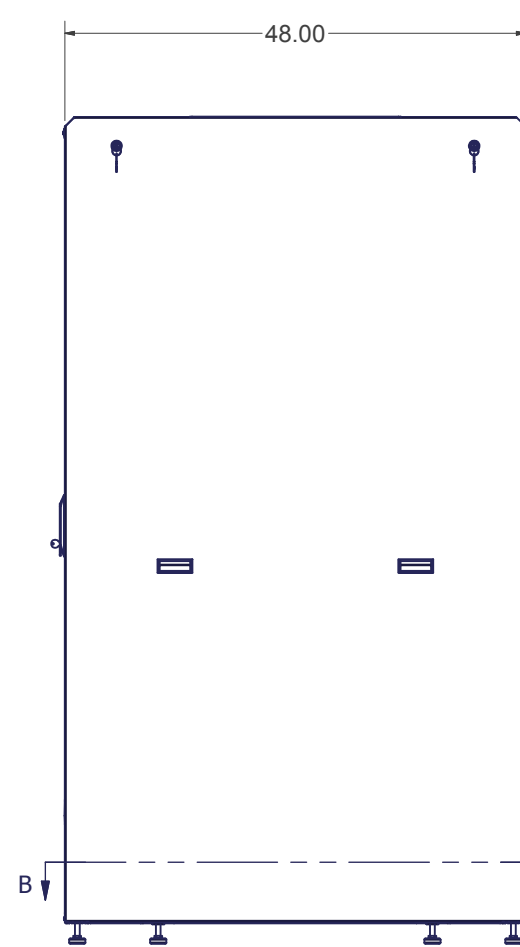
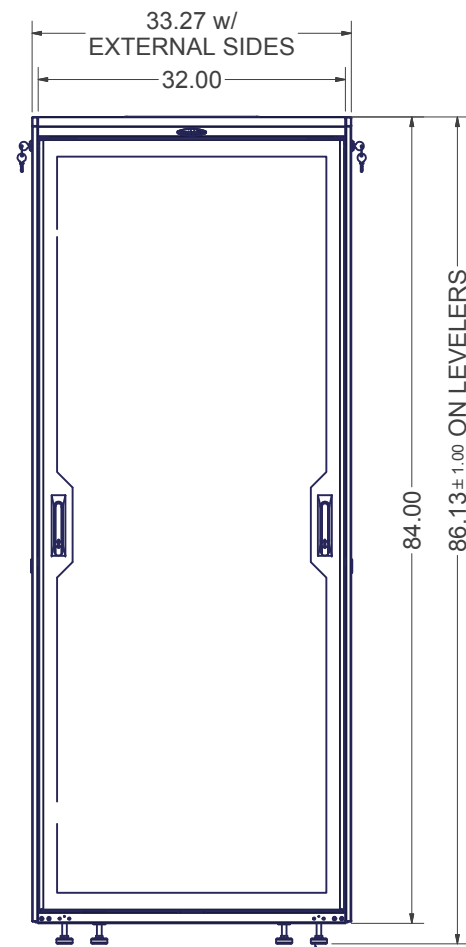
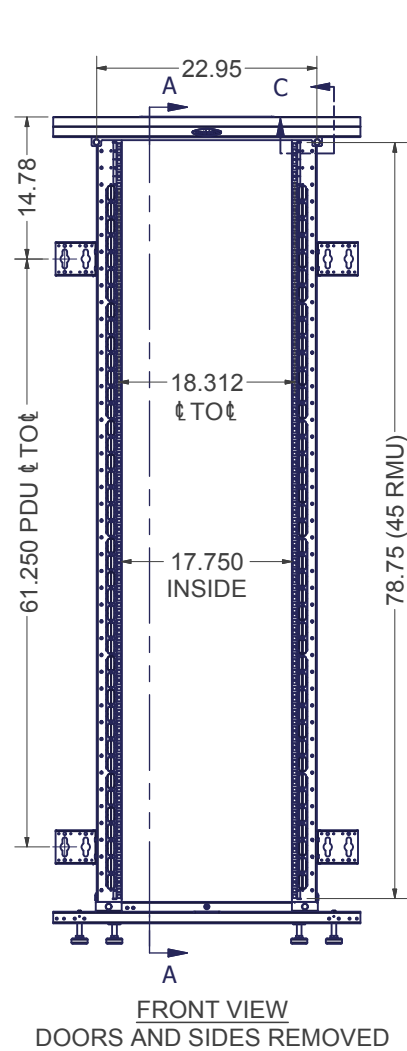
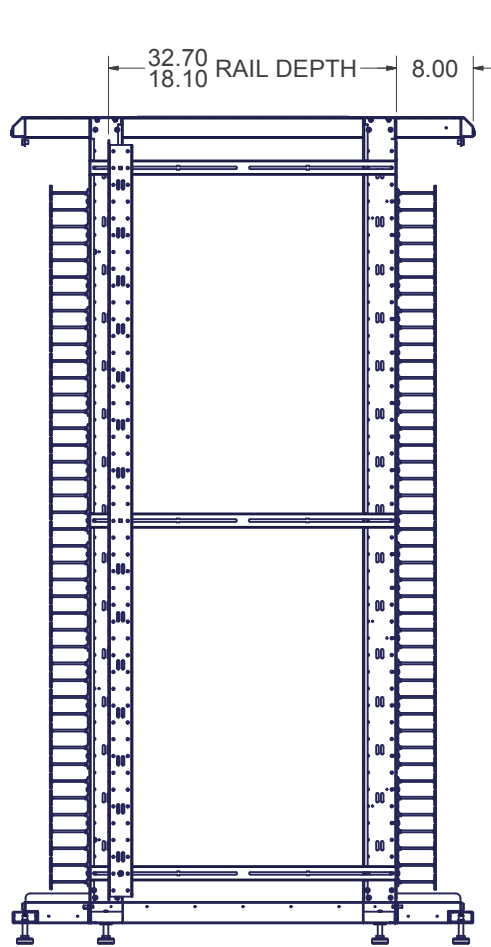
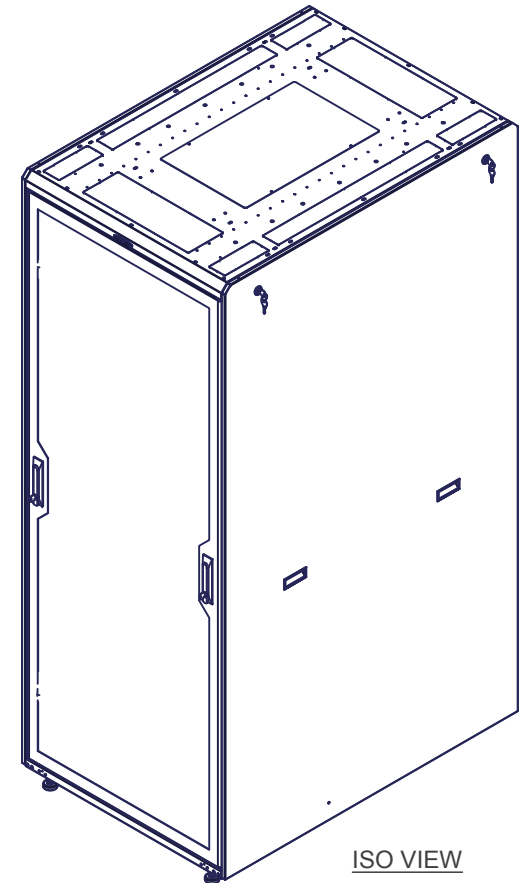
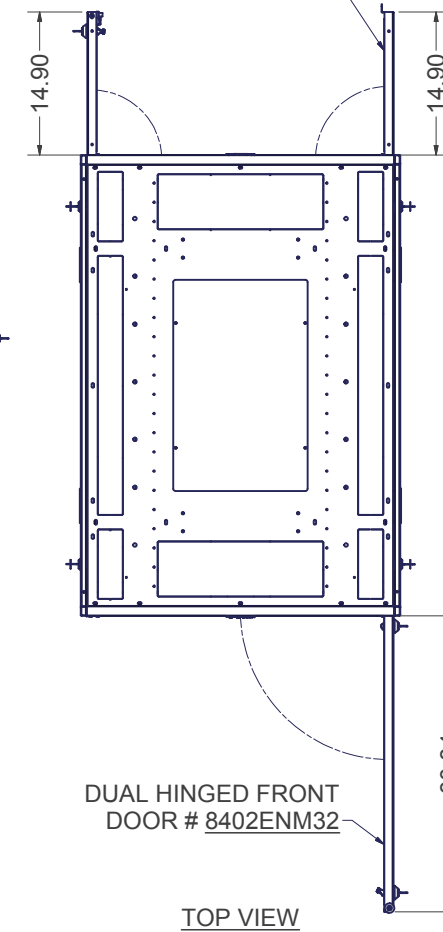
EN FRAME 84"H x 32"W x 48"D WITH 2 PAIR OF 45 RMU M6 RAILS, CABLE MANAGEMENT FINGERS ON ALL RAILS, SOLID TOP, DUAL HINGE PERF FRONT DOOR, SPLIT PERF REAR DOOR AND SOLID SIDES



INDEPENDENT MOUNTING LOCATIONS FOR LADDER RACK BRACKETS OR TOP MOUNTED CABLE TROUGHS



SPLIT MESH REAR DOORS
PART # 8402EN32SM



(8) LEVELING GLIDES IN 1/2-13 UNC THREADED HOLES

SPECIFICATIONS:

CONFIG. # KIT INCLUDES: QTY. 1 8401ENX3248, BASE FRAME UNIT WITH RAILS
QTY. 1 8402EN32SM, SPLIT MESH REAR DOOR ASSEMBLY
QTY. 1 8402ENM32, MESH FRONT DOOR ASSEMBLY
QTY. 2 8410481ENLS, SOLID LIFT-OFF SIDE PANEL ASSEMBLY

DIMENSIONS : 84.0"H x 32.0"W x 48.0"D

RACK SPACES : 45 RMU w/ NUMBERED RMU INDICATORS, 19" EIA 310-D COMPLIANT.

COLOR : DURABLE TEXTURED BLACK POWDER COATING

CONSTRUCTION : FULL WELDED FRAME WITH RECESSED #12 GA CORNER POSTS
1 PAIR FIXED #12 GA RAILS, 1 PAIR ADJUSTABLE DEPTH #12 GA RAILS
#16 C.R.S DOORS, SOLID TOP PANEL & SIDE PANELS OF ALUMINUM

HARDWARE : PACKAGE OF QTY-50; #10-32 SCREWS -OR- M6 SCREWS W/ CAGE NUTS, INCLUDED.

EST. WEIGHT :
399.51 lbmass



INTERPRET DRAWING PER ASME Y14.5M-1994
DIMENSIONAL LIMITS APPLY
AFTER APPLICATION OF FINISH
DRAWING NOT TO SCALE
TOLERANCE UNLESS OTHERWISE NOTED:
ANGULAR +/- .1"
.XXXX +/- .010
.XXX +/- .015
.XX +/- .030
.X FOR REF. ONLY

UNLESS OTHERWISE SPECIFIED
ALL DIMENSIONS ARE IN INCHES

NOTICE:

Use of this document is subject to a confidentiality and nondisclosure agreement with Great Lakes Case & Cabinet Co., Inc. (GLCC) and may not be reproduced, disclosed or utilized in whole or in part without prior written authorization from GLCC.

PART NUMBER: SEE CHART	
QTY PER UNIT:	1
MATERIAL TYPE:	
MATERIAL GAUGE:	
FINISH:	
DRAWN CD	DATE 2/9/2011
CHECKED & APP. WSS	DATE 2/9/2011

TITLE EN FRAME, 84"H x 32"W x 48"D w/ SOLID TOP, DUAL HINGE PERF FRONT DOOR, SPLIT PERF REAR DOOR, SOLID SIDES & 45 RU RAILS	
GREAT LAKES CASE & CABINET CO., INC. P.O. BOX 551 EDINBORO, PA 16412 PHONE (814) 734-7303 FAX (814) 734-3907 E-MAIL glcc@greatcabinets.com	
DWG NO.	REV
SEE CHART	
SHEET: 1 OF 1	