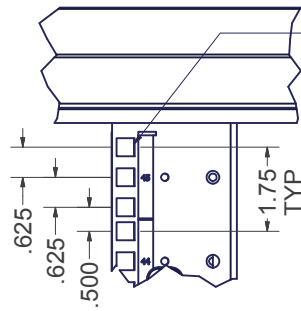


CONFIG PART #	
840ENT4042-FK	840EN4042-FK
EN FRAME 84"H x 40"W x 42"D WITH 2 PAIR OF 45 RMU #10-32 TAPPED RAILS, CABLE MANAGEMENT FINGERS ON ALL RAILS	EN FRAME 84"H x 40"W x 42"D WITH 2 PAIR OF 45 RMU M6 RAILS, CABLE MANAGEMENT FINGERS ON ALL RAILS



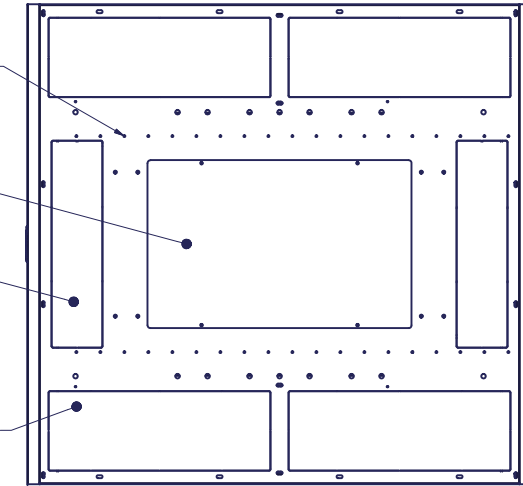
19" EIA 310-D COMPLIANT
REF. PART # FOR:
#10-32 TAPPED EQUIP. MTG. HOLES
-or-
3/8" SQUARE EQUIP. MTG. HOLES
w/ M6 HARDWARE

INDEPENDENT MOUNTING LOCATIONS FOR LADDER RACK BRACKETS OR TOP MOUNTED CABLE TROUGH OPTIONS

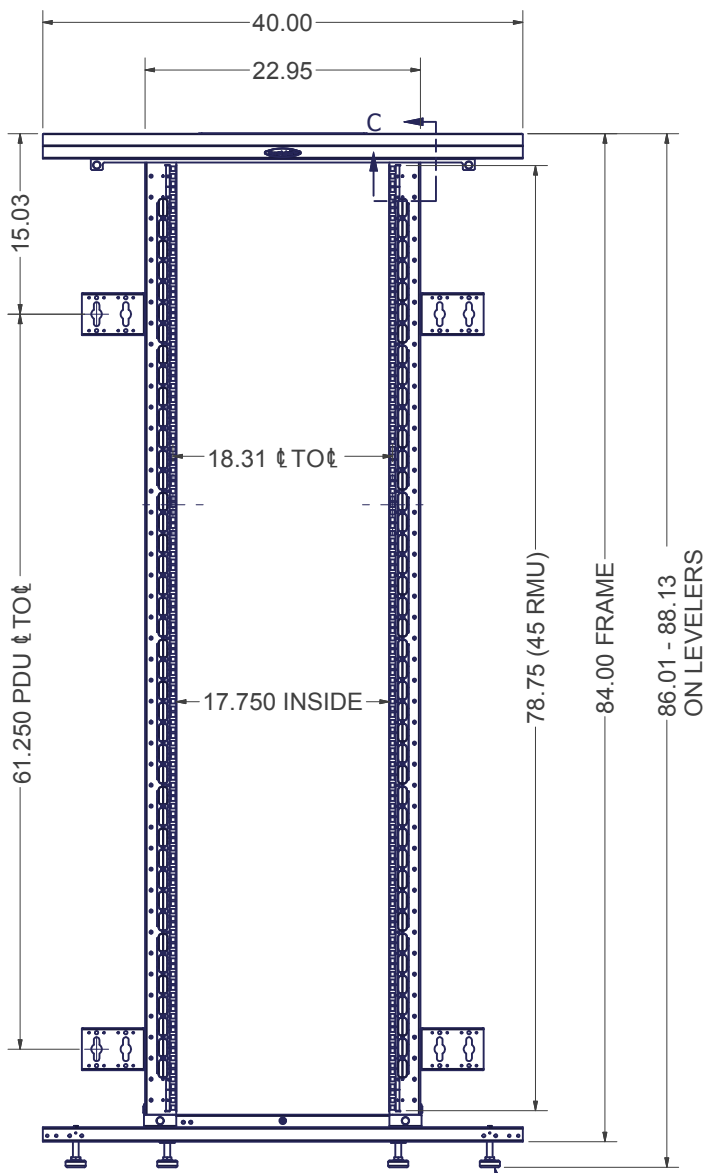
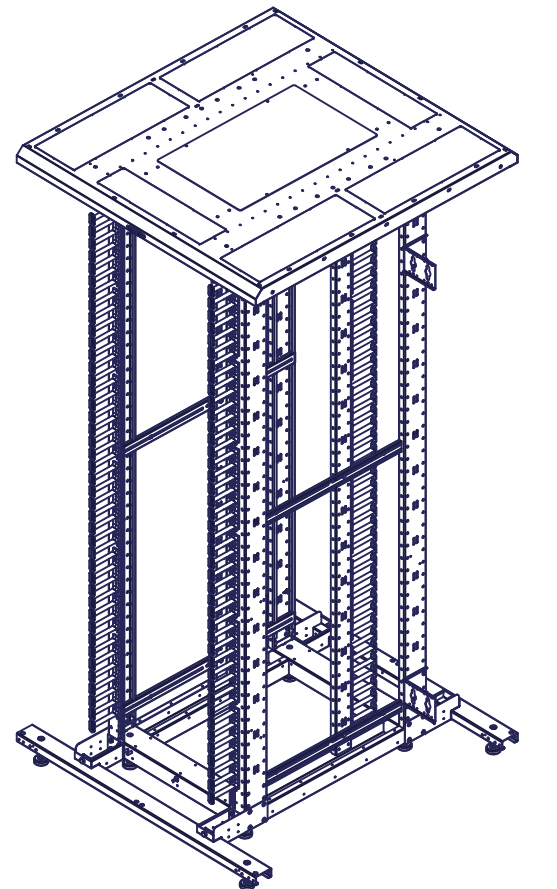
TOP PANEL OPENING (273 sq.in.); SOLID, VENTED, OR w/ EXHAUST FANS FLOWING UP TO 1100 CFM

4.25 x 17.25 CABLE PASS THROUGH KNOCKOUT (73.3 sq.in.), 2 PLACES

6.63 x 18.50 CABLE PASS THROUGH KNOCKOUT (122.6 sq.in.), 4 PLACES

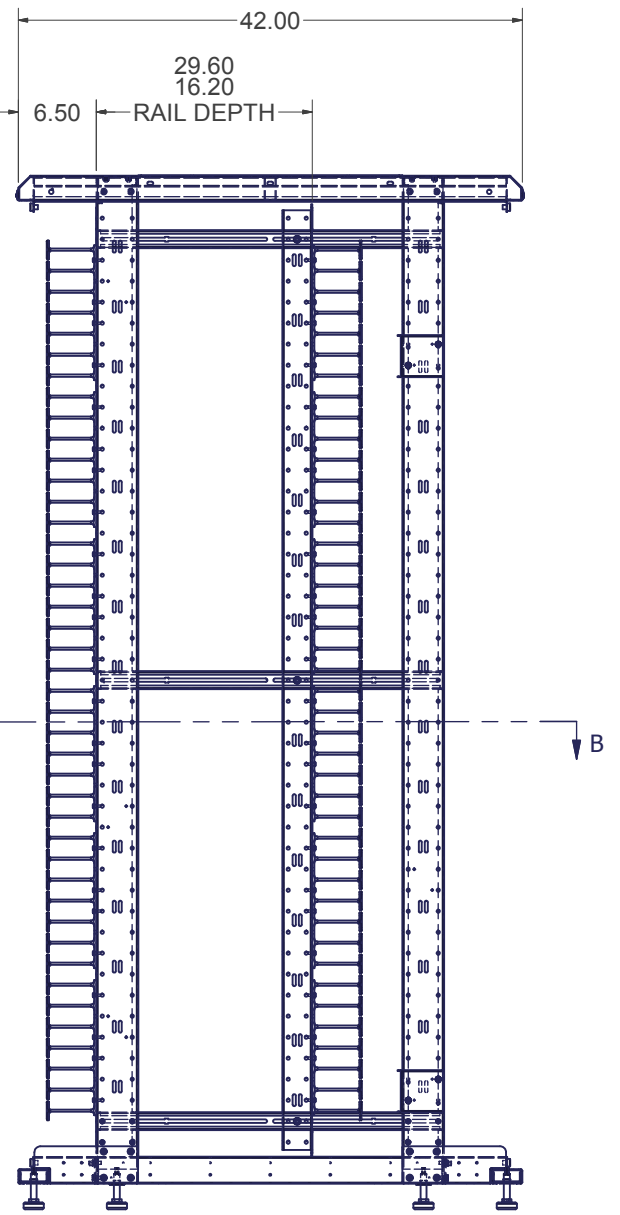


TOP VIEW

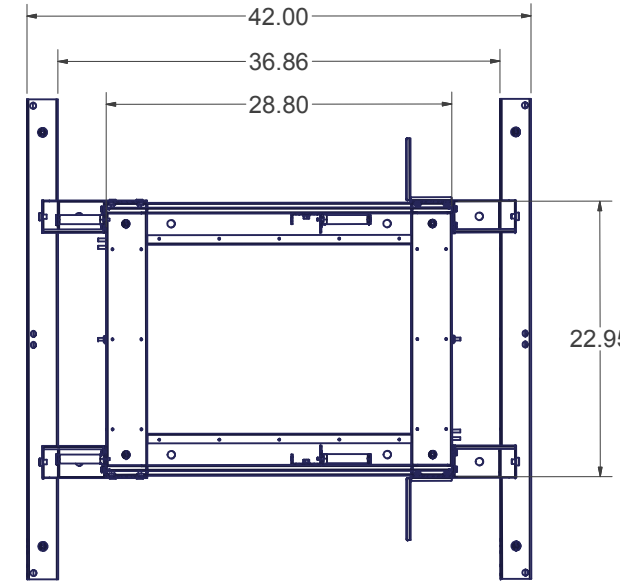


FRONT VIEW

LEVELING GLIDES (8 INCLUDED)
1/2-13 UNC THREADED HOLES



RIGHT SIDE VIEW



SECTION B-B

SPECIFICATIONS:

- CONFIG. # KIT INCLUDES:** (QTY 1) 8401ENX4042, BASE FRAME UNIT WITH RAILS
- DIMENSIONS :** 84.0"H x 40.0"W x 42.0"D
- RACK SPACES :** 45 RMU w/ NUMBERED RMU INDICATORS, 19" EIA 310-D COMPLIANT.
- COLOR :** DURABLE TEXTURED BLACK POWDER COATING
- CONSTRUCTION :** FULL WELDED STEEL FRAME WITH RECESSED #12 GA CORNER POSTS (1 PAIR) FIXED #12 GA RAILS & (1 PAIR) ADJUSTABLE DEPTH #12 GA RAILS
- HARDWARE :** PACKAGE OF (QTY 50); #10-32 SCREWS -or- M6 SCREWS w/ CAGE NUTS, INCLUDED.

EST. WEIGHT :
243.66 lbmass

INTERPRET DRAWING PER ASME Y14.5M-1994
DIMENSIONAL LIMITS APPLY AFTER APPLICATION OF FINISH
DRAWING NOT TO SCALE
TOLERANCE UNLESS OTHERWISE NOTED:
ANGULAR +/- 1'
.XXXX +/- .010
.XXX +/- .015
.XX +/- .030
.X FOR REF. ONLY
UNLESS OTHERWISE SPECIFIED ALL DIMENSIONS ARE IN INCHES

NOTICE:
Use of this document is subject to a confidentiality and nondisclosure agreement with Great Lakes Case & Cabinet Co., Inc. (GLCC) and may not be reproduced, disclosed or utilized in whole or in part without prior written authorization from GLCC.

PART NUMBER: SEE CHART
QTY PER UNIT: 1
MATERIAL TYPE:
MATERIAL GAUGE:
FINISH:
DRAWN: DATE 5/12/2014
FED: DATE 5/12/2014
CHECKED & APP. DATE 5/12/2014
WSS

TITLE: EN FRAME (ONLY) KIT, 84"H x 40"W x 42"D
GREAT LAKES CASE & CABINET CO., INC.
P.O. BOX 551 EDINBORO, PA 16412
PHONE (814) 734-7303 FAX (814) 734-3907
E-MAIL glcc@greatcabinets.com
DWG NO.: SEE CHART
REV:
SHEET: 1 OF 1