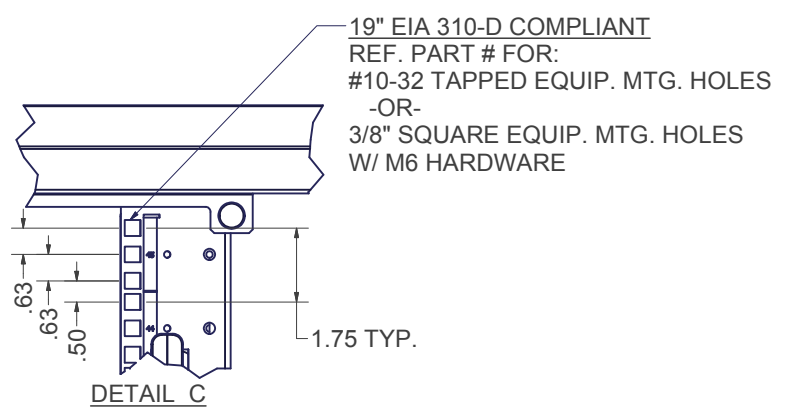
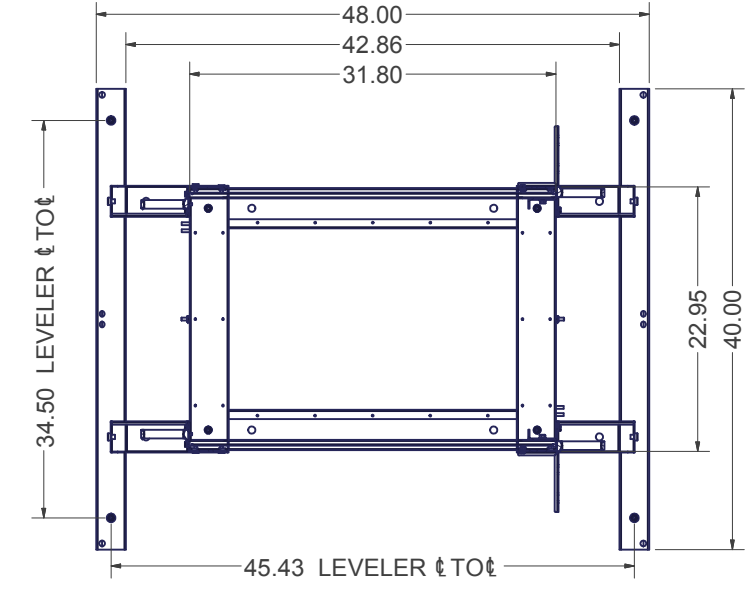
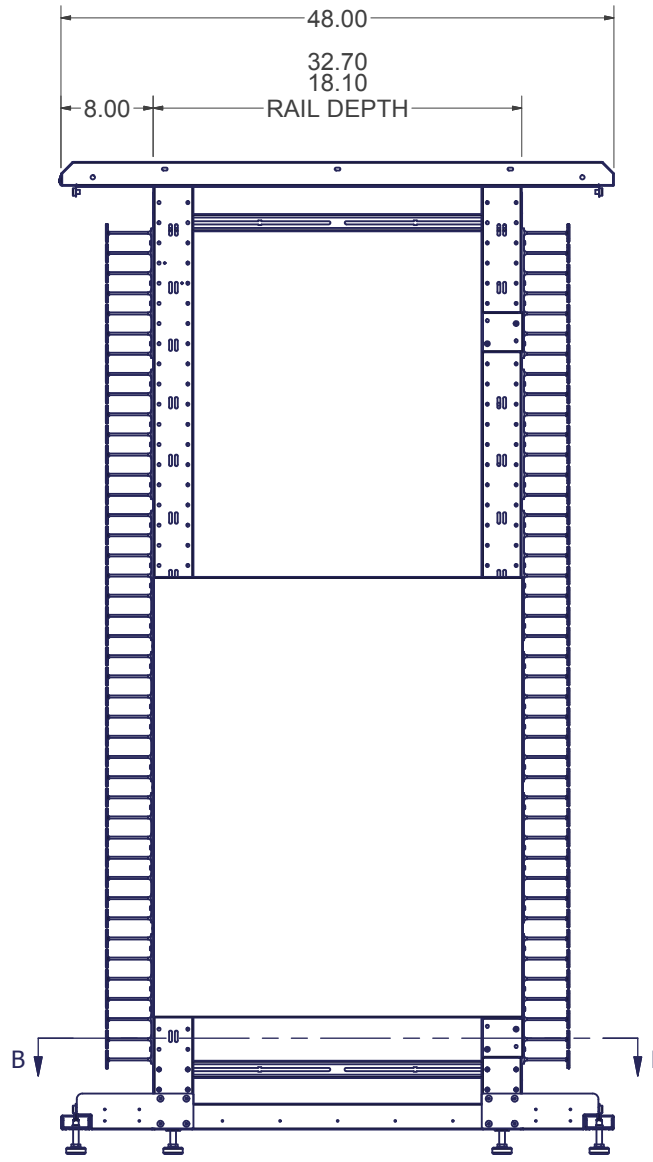
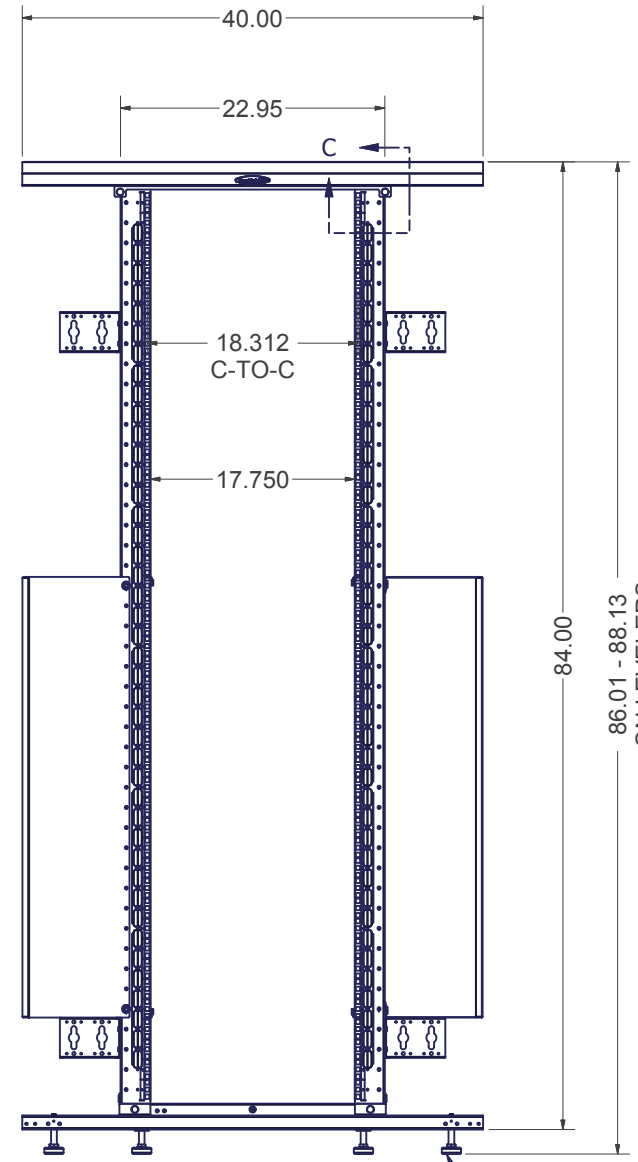
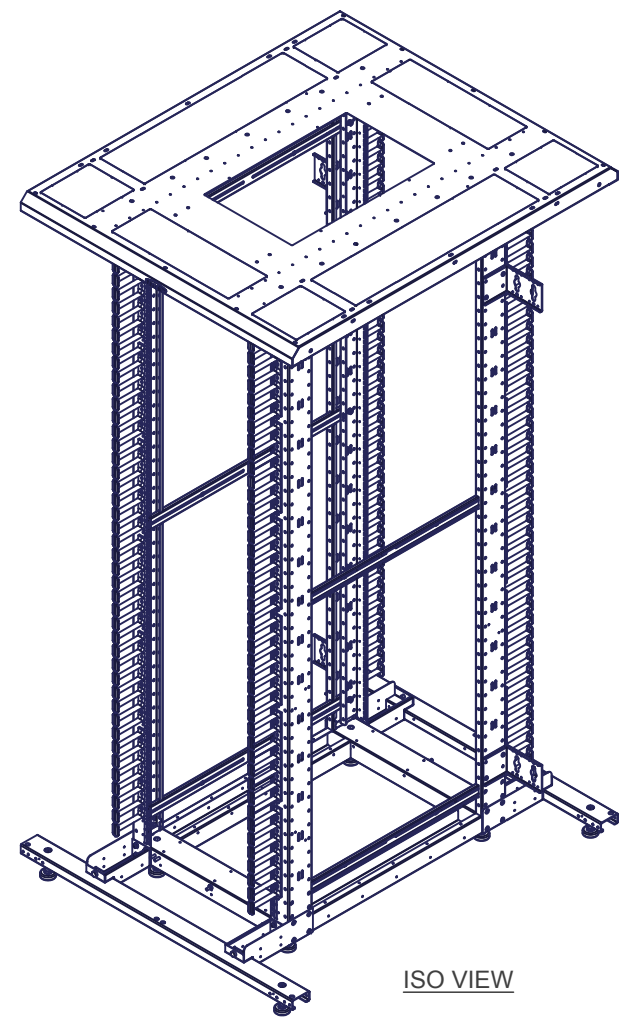
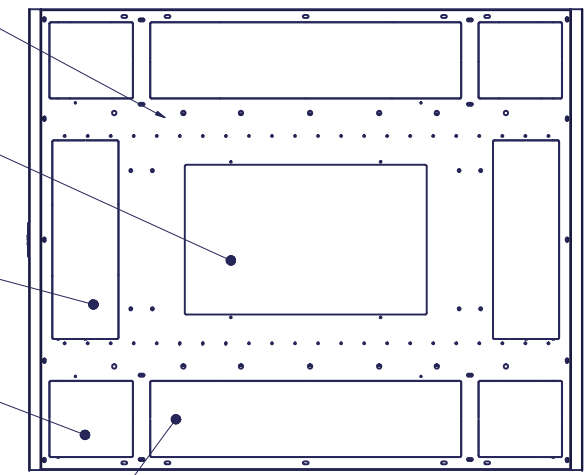


CONFIG PART #	
840ENT4048-FK	840EN4048-FK
EN FRAME 84"H x 40"W x 48"D WITH 2 PAIR OF 45 RMU #10-32 TAPPED RAILS AND CABLE MANAGEMENT FINGERS ON ALL RAILS	EN FRAME 84"H x 40"W x 48"D WITH 2 PAIR OF 45 RMU M6 RAILS AND CABLE MANAGEMENT FINGERS ON ALL RAILS



INDEPENDENT MOUNTING LOCATIONS FOR LADDERRACK BRACKETS OR TOP MOUNTED CABLE TROUGHS

- TOP PANEL OPENING (273 sq.in.); SOLID, VENTED, OR WITH EXHAUST FANS UP TO 1100 CFM.
- 5.75 x 17.25 CABLE PASS THROUGH KNOCKOUT (99.19 sq.in.), 2 PLACES
- 6.63 x 7.25 CABLE PASS THROUGH KNOCKOUT (48.03 sq.in.), 4 PLACES
- 6.63 x 27.00 CABLE PASS THROUGH KNOCKOUT (178.88 sq.in.), 2 PLACES



SPECIFICATIONS:

- CONFIG. # KIT INCLUDES:** QTY. 1 8401ENX4048, BASE FRAME UNIT WITH RAILS
- DIMENSIONS:** 84.0"H x 40.0"W x 48.0"D
- RACK SPACES:** 45 RMU w/ NUMBERED RMU INDICATORS, 19" EIA 310-D COMPLIANT.
- COLOR:** DURABLE TEXTURED BLACK POWDER COATING
- CONSTRUCTION:** FULL WELDED CRS FRAME WITH RECESSED #12 GA CORNER POSTS
1 PAIR FIXED #12 GA RAILS, 1 PAIR ADJUSTABLE DEPTH #12 GA RAILS & SOLID CRS TOP PANEL
- HARDWARE:** PACKAGE OF QTY-50; #10-32 SCREWS -OR- M6 SCREWS W/ CAGE NUTS, INCLUDED.

NOTICE:

Use of this document is subject to a confidentiality and nondisclosure agreement with Great Lakes Case & Cabinet Co., Inc. (GLCC) and may not be reproduced, disclosed or utilized in whole or in part without prior written authorization from GLCC.

INTERPRET DRAWING PER ASME Y14.5M-1994 DIMENSIONAL LIMITS APPLY AFTER APPLICATION OF FINISH DRAWING NOT TO SCALE TOLERANCE UNLESS OTHERWISE NOTED: ANGULAR +/- .1° .XXXX +/- .010 .XXX +/- .015 .XX +/- .030 .X FOR REF. ONLY	THIRD ANGLE PROJECTION	UNLESS OTHERWISE SPECIFIED ALL DIMENSIONS ARE IN INCHES	PART NUMBER: SEE CHART QTY PER UNIT: 1 MATERIAL TYPE: MATERIAL GAUGE: FINISH: DRAWN CD DATE 2/9/2011 CHECKED & APP. WSS DATE 2/8/11	TITLE EN ENCLOSURE FRAME KIT 84"H x 40"W x 48"D, 45 RUI RAILS & SOLID TOP PANEL GREAT LAKES CASE & CABINET CO., INC. P.O. BOX 551 EDINBORO, PA 16412 PHONE (814) 734-7303 FAX (814) 734-3907 E-MAIL glcc@greatcabinets.com	DWG NO: SEE CHART REV:	SHEET: 1 OF 1
---	------------------------	---	---	--	---------------------------	---------------