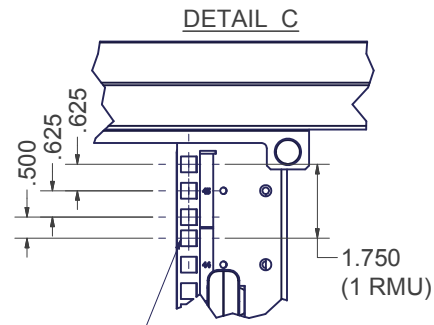
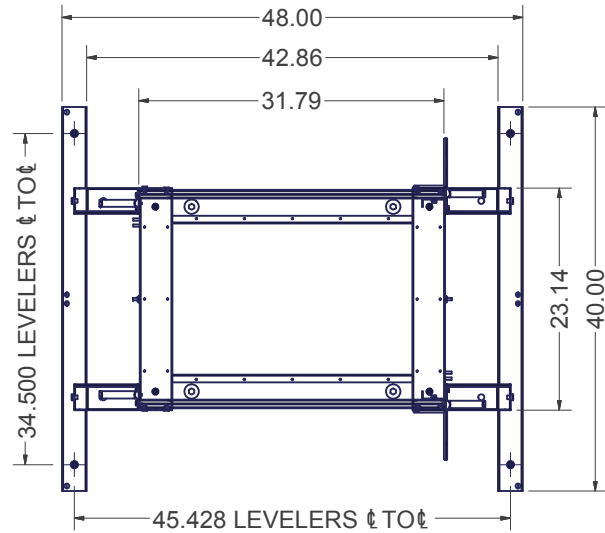


CONFIG PART #	
840ENT4048SSSS-NS	840EN4048SSSS-NS
EN FRAME 84"H x 40"W x 48"D WITH 2 PAIR OF 45 RMU #10-32 TAPPED RAILS, CABLE MANAGEMENT FINGERS ON ALL RAILS, SOLID TOP, DUAL HINGE PERF FRONT DOOR AND SPLIT PERF REAR DOOR	EN FRAME 84"H x 40"W x 48"D WITH 2 PAIR OF 45 RMU M6 RAILS, CABLE MANAGEMENT FINGERS ON ALL RAILS, SOLID TOP, DUAL HINGE PERF FRONT DOOR AND SPLIT PERF REAR DOOR



19" EIA 310-D COMPLIANT PART 'ENT' DENOTES: #10-32UNF TAPPED and PART 'EN' DENOTES: 3/8" SQUARE HOLES FOR M6 CAGE NUTS



SECTION B-B  
DOORS AND SIDES REMOVED

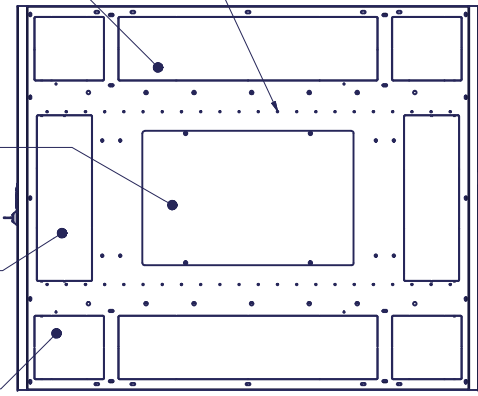
INDEPENDENT MOUNTING LOCATIONS FOR LADDER RACK BRACKETS OR TOP MOUNTED CABLE TROUGHS

6.63 x 27.00 CABLE PASS THROUGH KNOCKOUTS (179.0 sq.in.), 2 PLACES

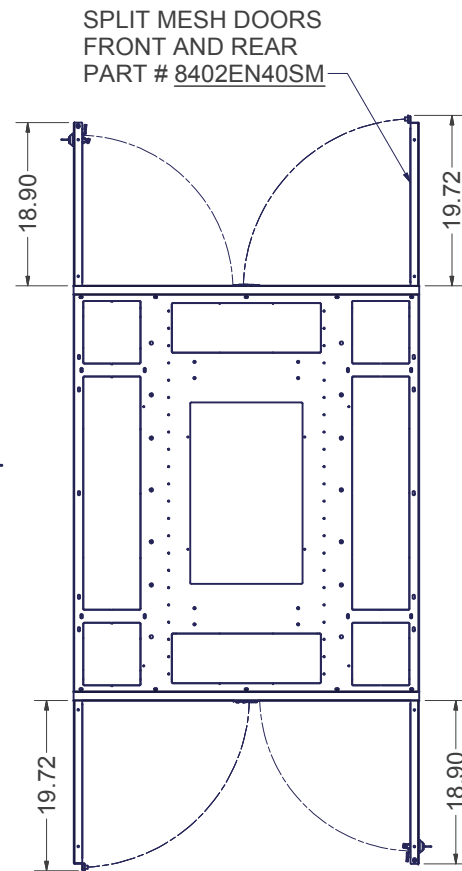
TOP PANEL OPENING (273 sq.in.) SOLID, VENTED OR w/EXHAUST FANS FLOWING UP TO 1100 CFM

5.75 x 17.25 CABLE PASS THROUGH KNOCKOUT (99.2 sq.in.) 2 PLACES

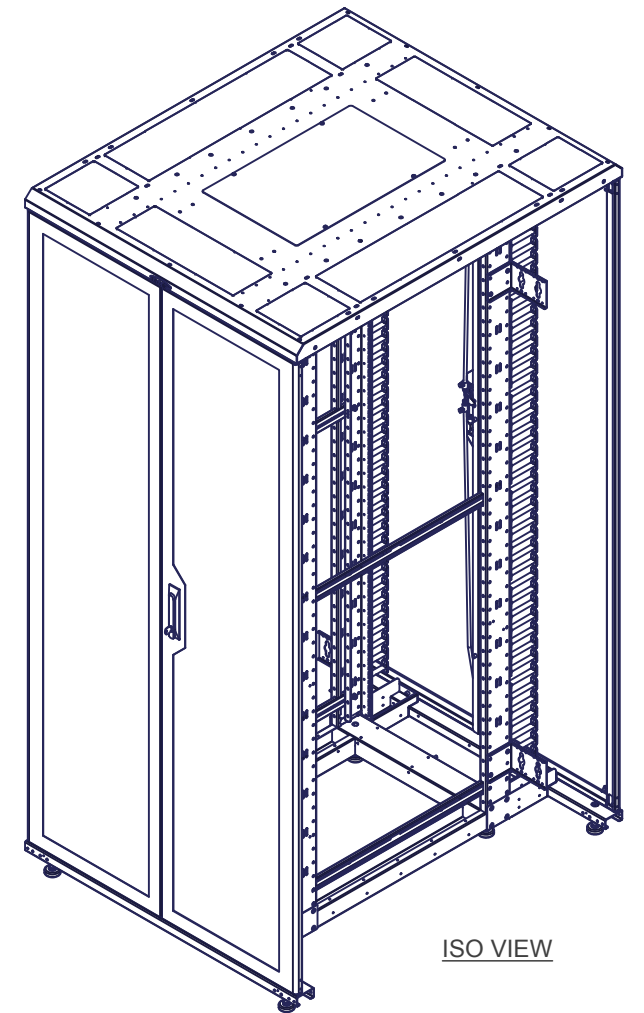
6.63 x 7.25 CABLE PASS THROUGH KNOCKOUT (48.1 sq.in.) 4 PLACES



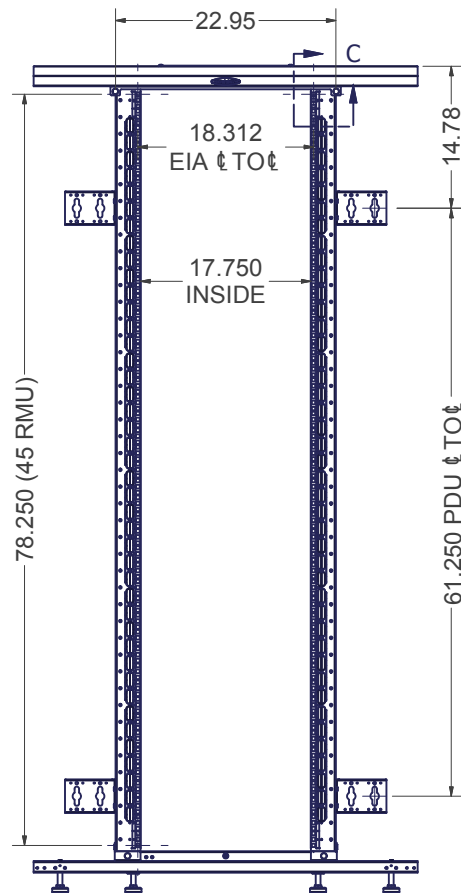
TOP VIEW



TOP VIEW

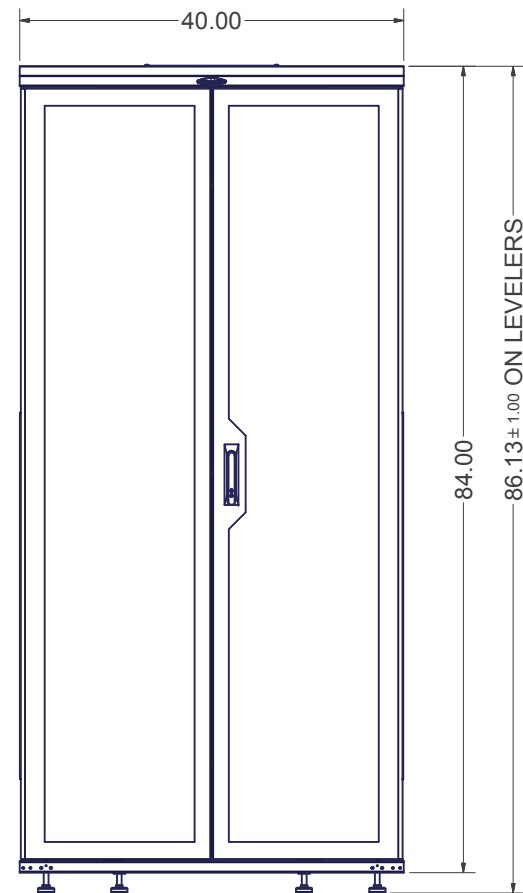


ISO VIEW



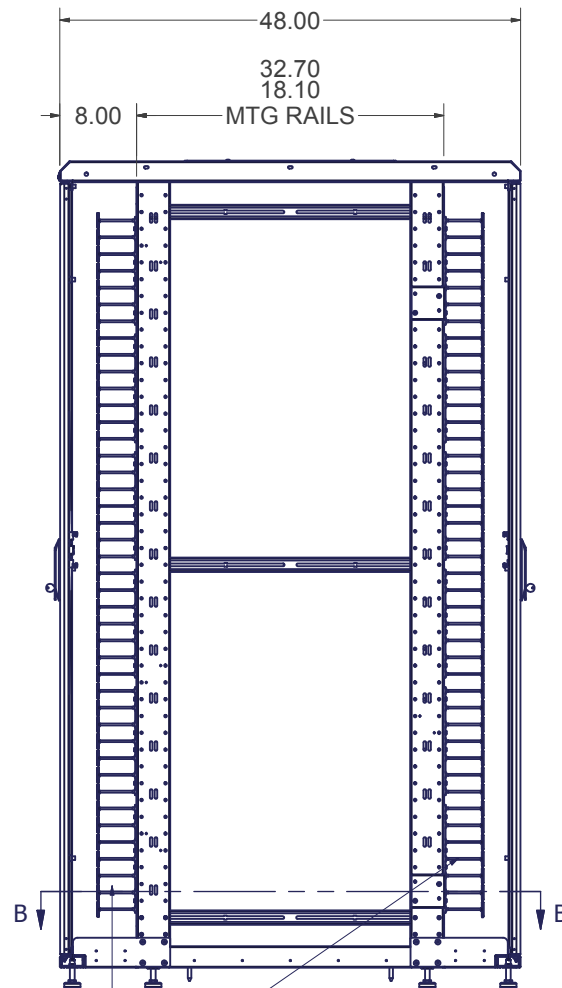
FRONT VIEW  
DOORS AND SIDES REMOVED

(8) LEVELING GLIDES IN 1/2-20UNC THREADED HOLES



FRONT VIEW

PLASTIC CABLE MANAGEMENT FINGERS ON BOTH SIDES OF BOTH MOUNTING RAILS



RIGHT SIDE VIEW

EST. WEIGHT : 332.10 lbmass

THIRD ANGLE PROJECTION

INTERPRET DRAWING PER ASME Y14.5M-1994
DIMENSIONAL LIMITS APPLY AFTER APPLICATION OF FINISH
DRAWING NOT TO SCALE
TOLERANCE UNLESS OTHERWISE NOTED:
ANGULAR +/- .1°
.XXXX +/- .010
.XXX +/- .015
.XX +/- .030
.X FOR REF. ONLY
UNLESS OTHERWISE SPECIFIED ALL DIMENSIONS ARE IN INCHES

**NOTICE:**

Use of this document is subject to a confidentiality and nondisclosure agreement with Great Lakes Case & Cabinet Co., Inc. (GLCC) and may not be reproduced, disclosed or utilized in whole or in part without prior written authorization from GLCC.

PART NUMBER:	SEE CHART
QTY PER UNIT:	1
MATERIAL TYPE:	
MATERIAL GAUGE:	
FINISH:	
DRAWN CD	DATE 2/9/2011
CHECKED & APP. WSS	DATE 2/9/2011

TITLE	EN FRAME 84"H x 40"W x 48"D W/ SPLIT MESH FRONT & REAR DOORS, SOLID TOP PANEL, 45 RU RAILS & NO SIDES
GREAT LAKES CASE & CABINET CO., INC. P.O. BOX 551 EDINBORO, PA 16412 PHONE (814) 734-7303 FAX (814) 734-3907 E-MAIL glcc@greatcabinets.com	
DWG NO.	REV
SEE CHART	
SHEET: 1 OF 1	

**SPECIFICATIONS:**

CONFIG. # KIT INCLUDES: QTY. 1 8401ENX4048, BASE FRAME UNIT WITH RAILS  
QTY. 2 8402EN40SM, SPLIT MESH FRONT/REAR DOOR ASSEMBLY

**DIMENSIONS :** 84.0"H x 40.0"W x 48.0"D

**RACK SPACES :** 45 RMU w/ NUMBERED RMU INDICATORS, 19" EIA 310-D COMPLIANT.

**COLOR :** DURABLE TEXTURED BLACK POWDER COATING

**CONSTRUCTION :** FULL WELDED FRAME WITH RECESSED #12 GA CORNER POSTS  
1 PAIR FIXED #12 GA RAILS, 1 PAIR ADJUSTABLE DEPTH #12 GA RAILS  
#16 C.R.S. DOORS& SOLID TOP PANEL

**HARDWARE :** PACKAGE OF QTY-50; #10-32 SCREWS -OR- M6 SCREWS W/ CAGE NUTS, INCLUDED.