

CONFIG PART #

840ENT4048SSS

EN FRAME 84"H x 40"W x 48"D WITH 2 PAIR OF 45 RMU #10-32 TAPPED RAILS, CABLE MANAGEMENT FINGERS ON ALL RAILS, SOLID TOP, DUAL HINGE PERF FRONT DOOR, SPLIT PERF REAR DOOR AND SOLID SIDES

840EN4048SSS

EN FRAME 84"H x 40"W x 48"D WITH 2 PAIR OF 45 RMU M6 RAILS, CABLE MANAGEMENT FINGERS ON ALL RAILS, SOLID TOP, DUAL HINGE PERF FRONT DOOR, SPLIT PERF REAR DOOR AND SOLID SIDES

SPLIT MESH DOORS FRONT AND REAR PART # 8402EN40SM

INDEPENDENT MOUNTING LOCATIONS FOR LADDERRACK BRACKETS OR TOP MOUNTED CABLE TROUGHS

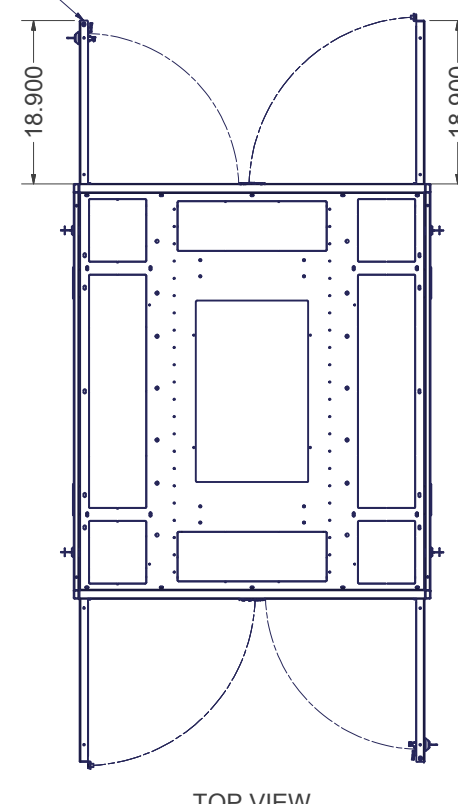
6.63 x 27.00 CABLE PASS THROUGH KNOCKOUTS (179.0 sq.in.), 2 PLACES

TOP PANEL OPENING (273 sq.in.); SOLID, VENTED, OR WITH EXHAUST FANS UP TO 1100 CFM.

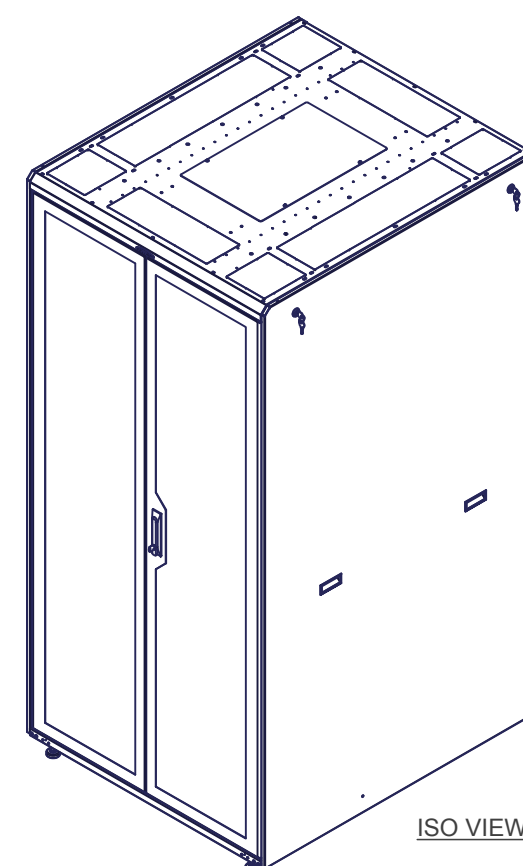
5.75 x 17.25 CABLE PASS THROUGH KNOCKOUTS (99.2 sq.in.), 2 PLACES

6.63 x 7.25 CABLE PASS THROUGH KNOCKOUTS (48.1 sq.in.), 4 PLACES

TOP VIEW

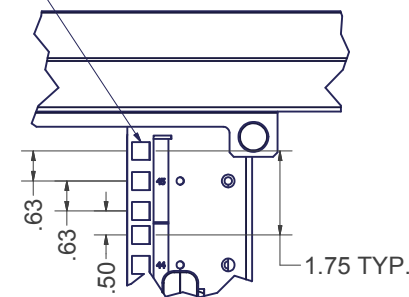


TOP VIEW



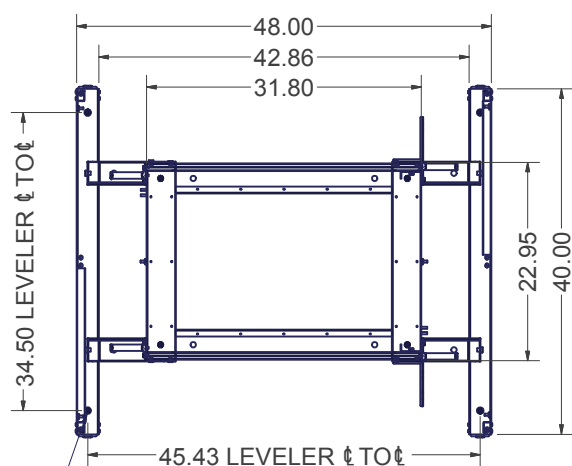
ISO VIEW

19" EIA 310-D COMPLIANT
REF. PART # FOR:
#10-32 TAPPED EQUIP. MTG. HOLES
-OR-
3/8" SQUARE EQUIP. MTG. HOLES
W/ M6 HARDWARE

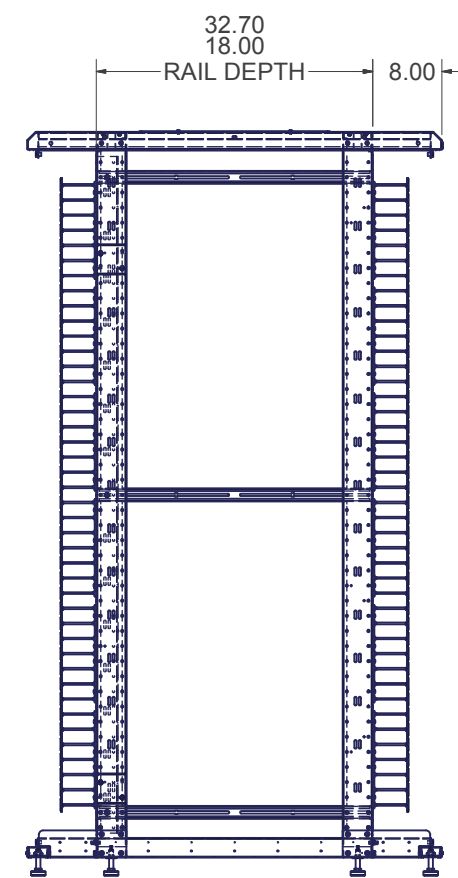


DETAIL C

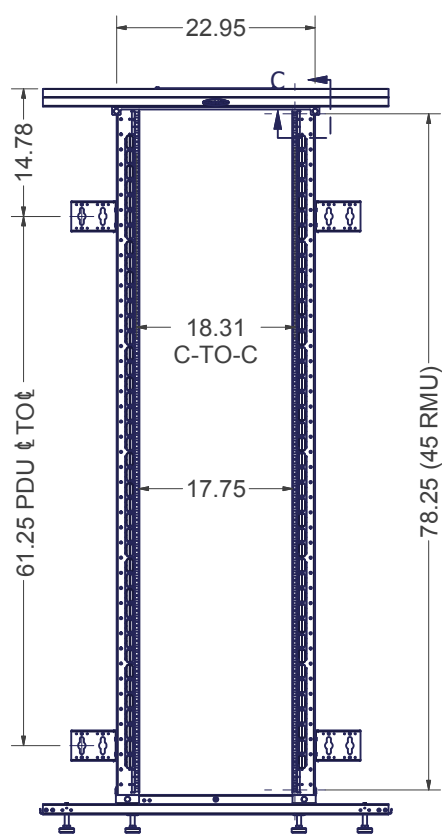
LEVELER MTG. HOLES



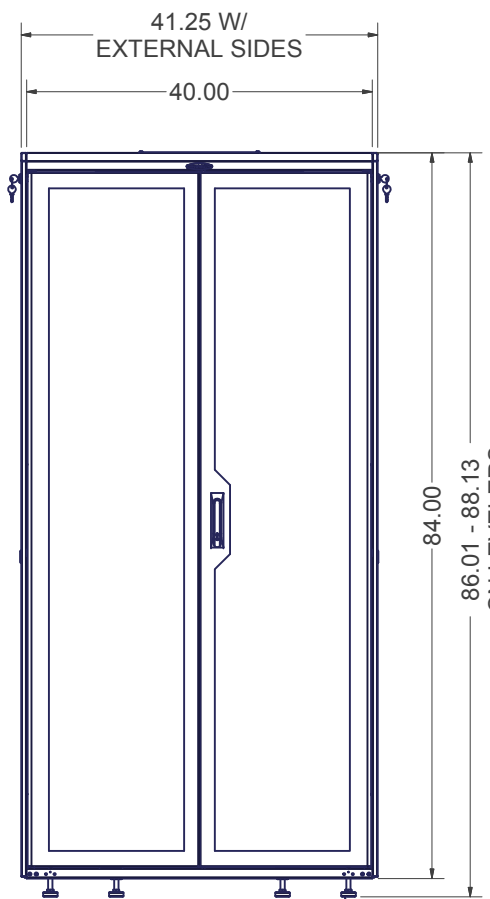
SECTION B-B
DOORS AND SIDES REMOVED



LEFT SIDE VIEW

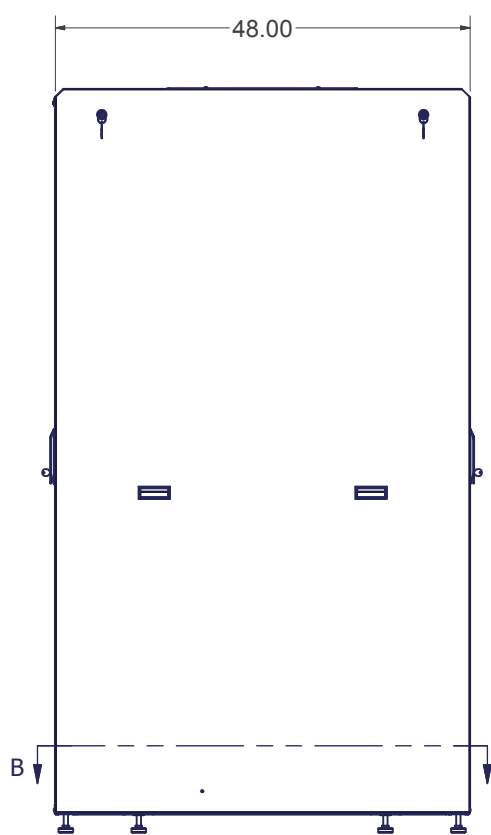


FRONT VIEW
DOORS AND SIDES REMOVED



FRONT VIEW

LEVELING GLIDES (8 INCLUDED)
1/2-13 UNC THREADED HOLES



RIGHT SIDE VIEW

SPECIFICATIONS:

CONFIG. # KIT INCLUDES: QTY. 1 8401ENX4048, BASE FRAME UNIT WITH RAILS
QTY. 2 8402EN40SM, SPLIT MESH FRONT/REAR DOOR ASSEMBLY
QTY. 2 8410481ENLS, SOLID LIFT-OFF SIDE PANEL ASSEMBLY

DIMENSIONS : 84.0"H x 40.0"W x 48.0"D

RACK SPACES : 45 RMU w/ NUMBERED RMU INDICATORS, 19" EIA 310-D COMPLIANT.

COLOR : DURABLE TEXTURED BLACK POWDER COATING

CONSTRUCTION : FULL WELDED FRAME WITH RECESSED #12 GA CORNER POSTS
1 PAIR FIXED #12 GA RAILS, 1 PAIR ADJUSTABLE DEPTH #12 GA RAILS
DOORS #16 C.R.S. AND LIGHT-WEIGHT ALUMINUM SIDE PANELS

HARDWARE : PACKAGE OF QTY-50; #10-32 SCREWS -OR- M6 SCREWS W/ CAGE NUTS, INCLUDED.

INTERPRET DRAWING PER ASME Y14.5M-1994
DIMENSIONAL LIMITS APPLY AFTER APPLICATION OF FINISH
DRAWING NOT TO SCALE
TOLERANCE UNLESS OTHERWISE NOTED:
ANGULAR +/- .1°
.XXXX +/- .010
.XXX +/- .015
.XX +/- .030
.X FOR REF. ONLY
UNLESS OTHERWISE SPECIFIED ALL DIMENSIONS ARE IN INCHES

NOTICE:
Use of this document is subject to a confidentiality and nondisclosure agreement with Great Lakes Case & Cabinet Co., Inc. (GLCC) and may not be reproduced, disclosed or utilized in whole or in part without prior written authorization from GLCC.

PART NUMBER:	SEE CHART
QTY PER UNIT:	1
MATERIAL TYPE:	
MATERIAL GAUGE:	
FINISH:	
DRAWN	DATE
CD	2/9/2011
CHECKED & APP.	DATE
WSS	2/8/11

TITLE	EN FRAME 84"H x 40"W x 48"D W/ SPLIT MESH FRONT & REAR DOORS, SOLID SIDES, SOLID TOP PANEL & 45 RU RAILS
GREAT LAKES CASE & CABINET CO., INC.	
P.O. BOX 551 EDINBORO, PA 16412	
PHONE (814) 734-7303 FAX (814) 734-3907	
E-MAIL glcc@greatcabinets.com	
DWG NO:	REV
SEE CHART	
SHEET: 1 OF 1	



THIRD ANGLE PROJECTION