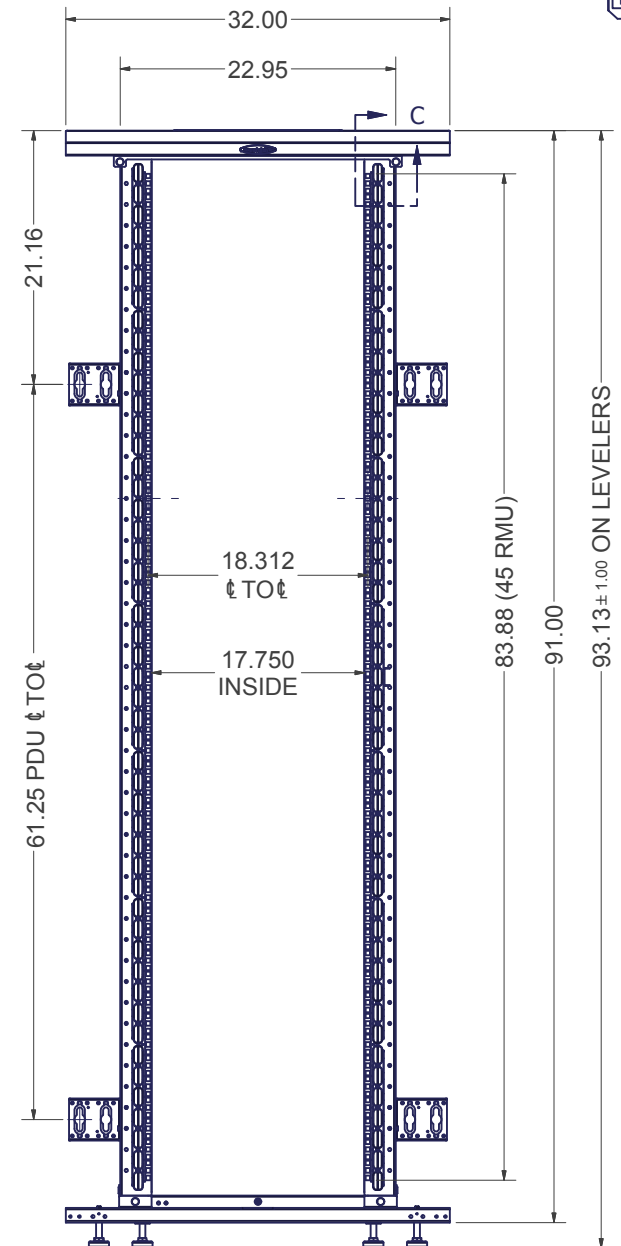
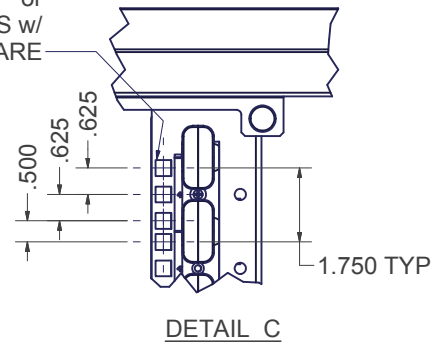
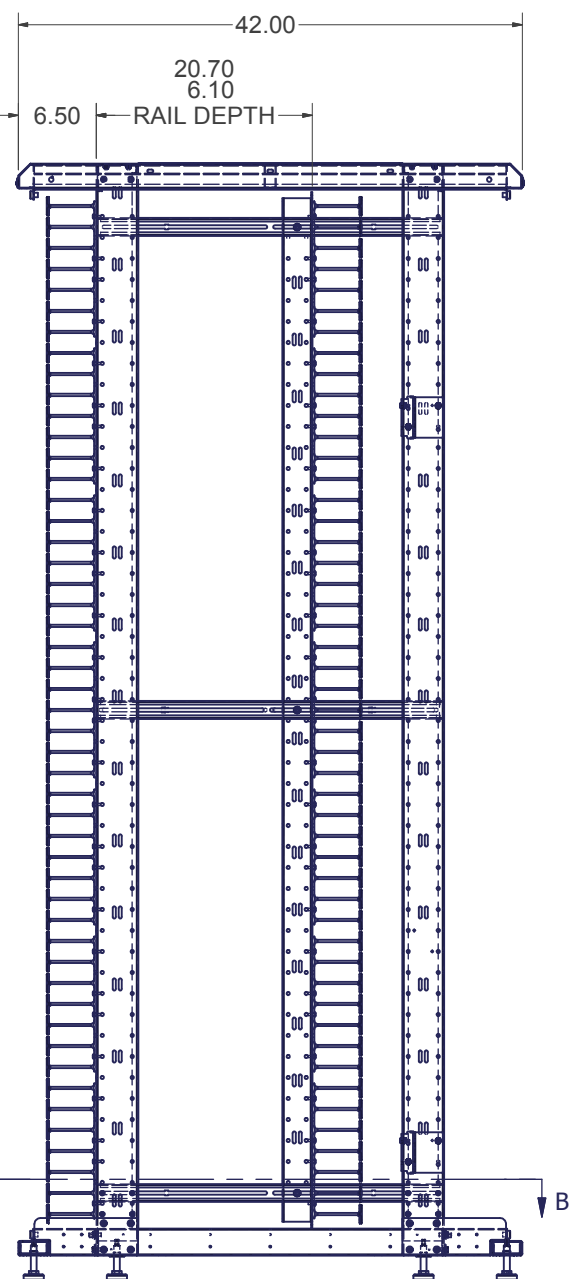


CONFIG PART #	
910ENT3242-FK	910EN3242-FK
EN FRAME 91"H x 32"W x 42"D WITH 2 PAIR OF 48 RMU #10-32 TAPPED RAILS, CABLE MANAGMENT FINGERS ON ALL RAILS	EN FRAME 91"H x 32"W x 42"D WITH 2 PAIR OF 48 RMU M6 RAILS, CABLE MANAGMENT FINGERS ON ALL RAILS

19" EIA 310-D COMPLIANT
REF PART # FOR:
#10-32UNF TAPPED HOLES
or
3/8" SQUARE HOLES w/
M6 HARDWARE



(8) LEVELING GLIDES IN
1/2-13 UNC THREADED HOLES

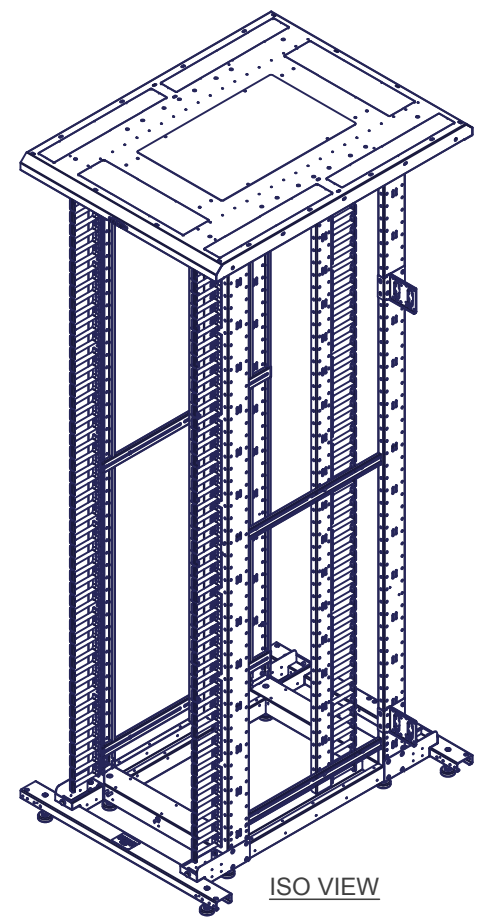
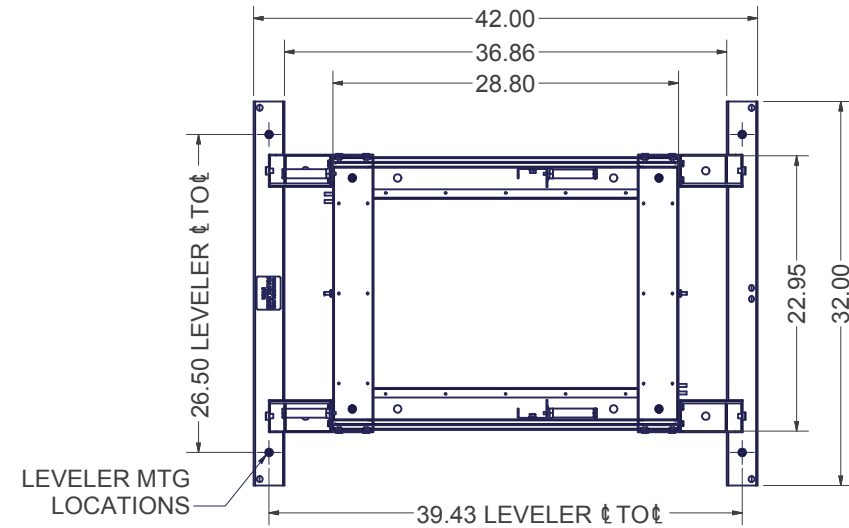
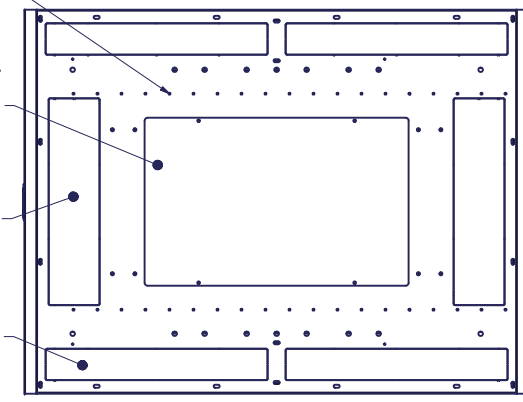


INDEPENDENT MOUNTING LOCATIONS
FOR LADDER RACK BRACKETS OR
TOP-MOUNTED CABLE TROUGHS

TOP PANEL OPENING (273 sq.in.);
SOLID, VENTED, OR w/ EXHAUST
FANS FLOWING UP TO 1100 CFM

4.25 x 17.25 CABLE PASS
THROUGH KNOCKOUTS
(73.3 sq.in.), 2 PLACES

2.63 x 18.50 CABLE PASS
THROUGH KNOCKOUTS
(48.7 sq.in.), 4 PLACES



SPECIFICATIONS:

CONFIG. # KIT INCLUDES: QTY(1) 9101ENX3242, BASE FRAME UNIT WITH RAILS

DIMENSIONS : 91.0"H x 32.0"W x 42.0"D

RACK SPACES : 48 RMU w/ NUMBERED RMU INDICATORS, 19" EIA 310-D COMPLIANT.

COLOR : DURABLE TEXTURED BLACK POWDER COATING

CONSTRUCTION : FULL WELDED FRAME WITH RECESSED #12 GA CORNER POSTS,
1 PAIR FIXED #12 GA RAILS, 1 PAIR ADJUSTABLE DEPTH #12 GA RAILS,
& CRS SOLID TOP PANEL

HARDWARE : PACKAGE OF QTY-50; #10-32 SCREWS -OR- M6 SCREWS W/ CAGE NUTS, INCLUDED.

EST. WEIGHT :
276.43 lbmass

INTERPRET DRAWING PER ASME Y14.5M-1994
DIMENSIONAL LIMITS APPLY AFTER APPLICATION OF FINISH
DRAWING NOT TO SCALE
TOLERANCE UNLESS OTHERWISE NOTED:
ANGULAR +/- .1°
.XXXX +/- .010
.XXX +/- .015
.XX +/- .030
.X FOR REF. ONLY
UNLESS OTHERWISE SPECIFIED ALL DIMENSIONS ARE IN INCHES

NOTICE:
Use of this document is subject to a confidentiality and nondisclosure agreement with Great Lakes Case & Cabinet Co., Inc. (GLCC) and may not be reproduced, disclosed or utilized in whole or in part without prior written authorization from GLCC.

PART NUMBER: 910EN3242-FK	QTY PER UNIT: 1
MATERIAL TYPE: -	MATERIAL GAUGE: -
FINISH: -	DATE: 5/19/2014
DRAWN FED	CHECKED & APP. WSS
DATE: 5/19/2014	DATE: 5/19/2014

TITLE: EN ENCLOSURE FRAME KIT, 91"H x 32"W x 42"D w/ SOLID TOP & 48 RU RAILS	DWG NO.:	REV:
GREAT LAKES CASE & CABINET CO., INC. P.O. BOX 551 EDINBORO, PA 16412 PHONE (814) 734-7303 FAX (814) 734-3907 E-MAIL glcc@greatcabinets.com	SEE CHART	SHEET: 1 OF 1