

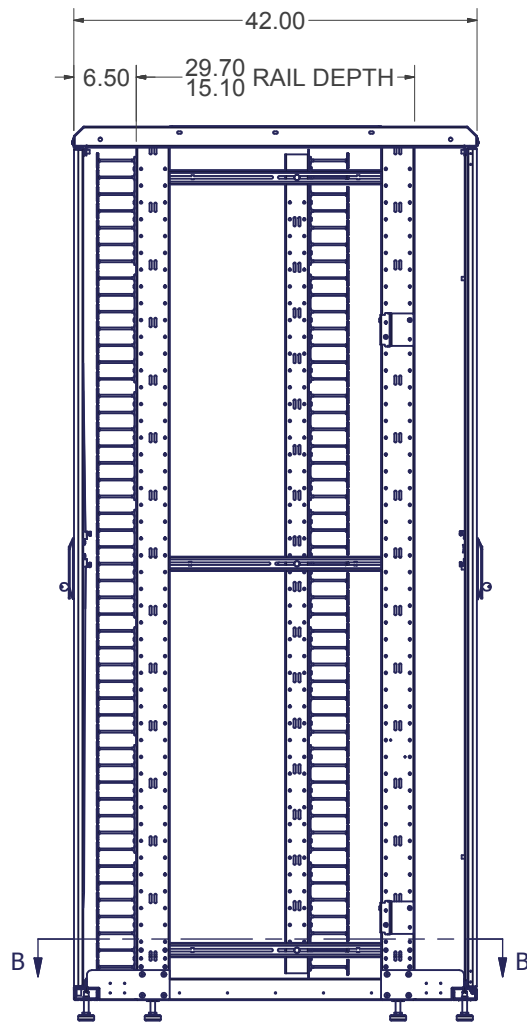
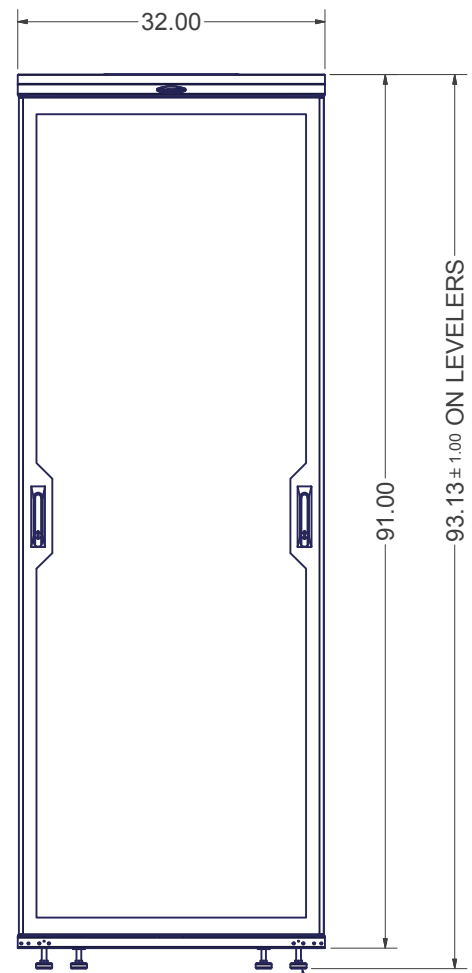
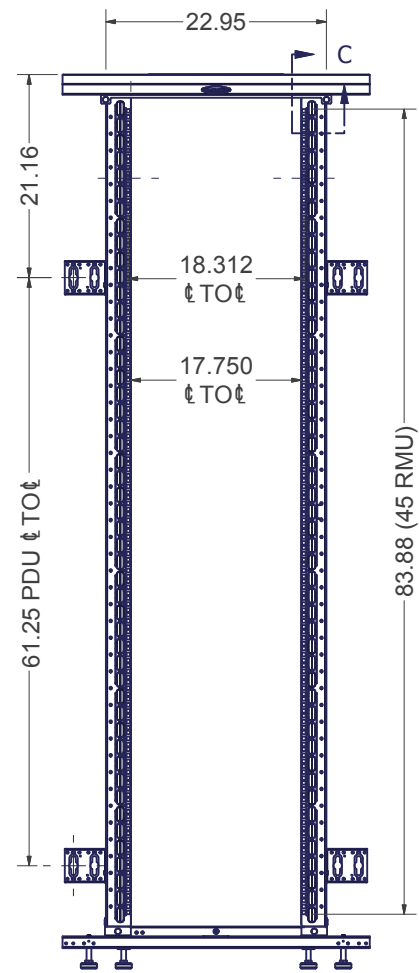
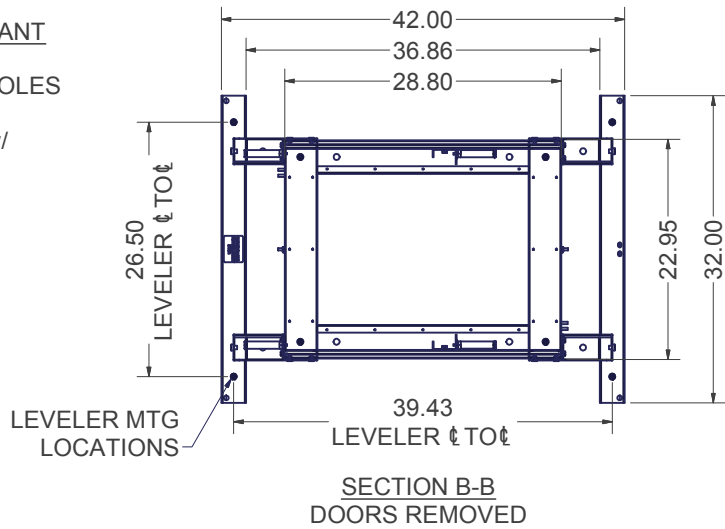
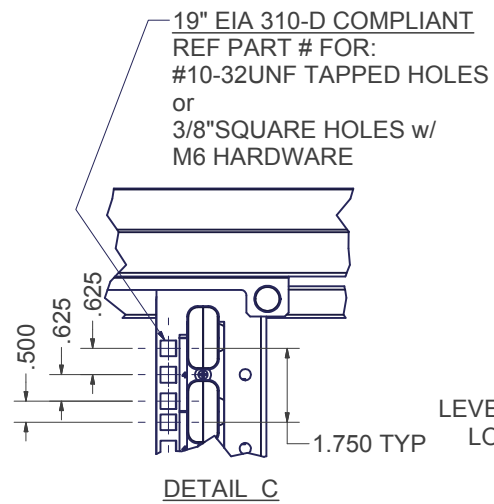
CONFIG PART #

910ENT3242MSS-NS

EN FRAME 91"H x 32"W x 42"D WITH 2 PAIR OF 45 RMU #10-32 TAPPED RAILS, CABLE MANAGEMENT FINGERS ON ALL RAILS, SOLID TOP, DUAL HINGE PERF FRONT DOOR, SPLIT PERF REAR DOOR

910EN3242MSS-NS

EN FRAME 91"H x 32"W x 42"D WITH 2 PAIR OF 45 RMU M6 RAILS, CABLE MANAGEMENT FINGERS ON ALL RAILS, SOLID TOP, DUAL HINGE PERF FRONT DOOR, SPLIT PERF REAR DOOR



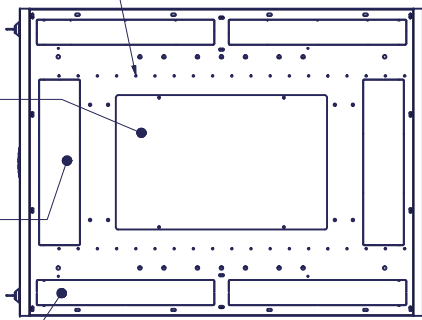
SPLIT MESH REAR DOORS
PART # 9102EN32SM

INDEPENDENT MOUNTING LOCATIONS FOR LADDER RACK BRACKETS OR TOP MOUNTED CABLE TROUGHS

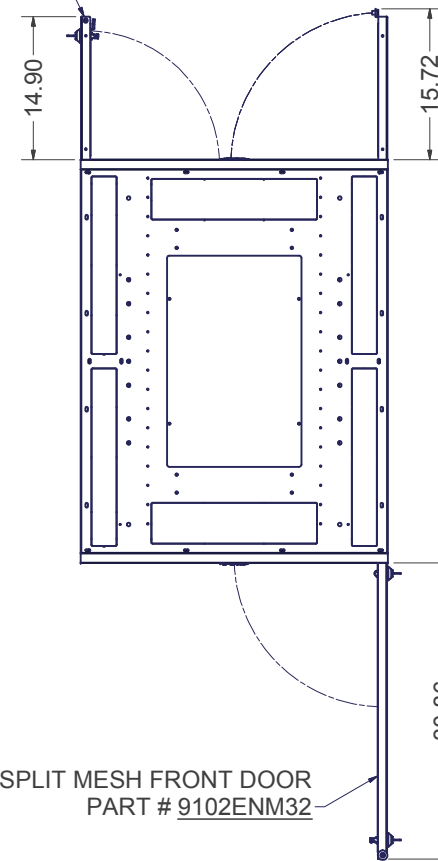
TOP PANEL OPENING (273 sq.in.); SOLID, VENTED, OR w/ EXHAUST FANS FLOWING UP TO 1100 CFM

4.25 x 17.25 CABLE PASS THROUGH KNOCKOUTS (73.3 sq.in.), 2 PLACES

2.63 x 18.50 CABLE PASS THROUGH KNOCKOUTS (48.7 sq.in.), 4 PLACES

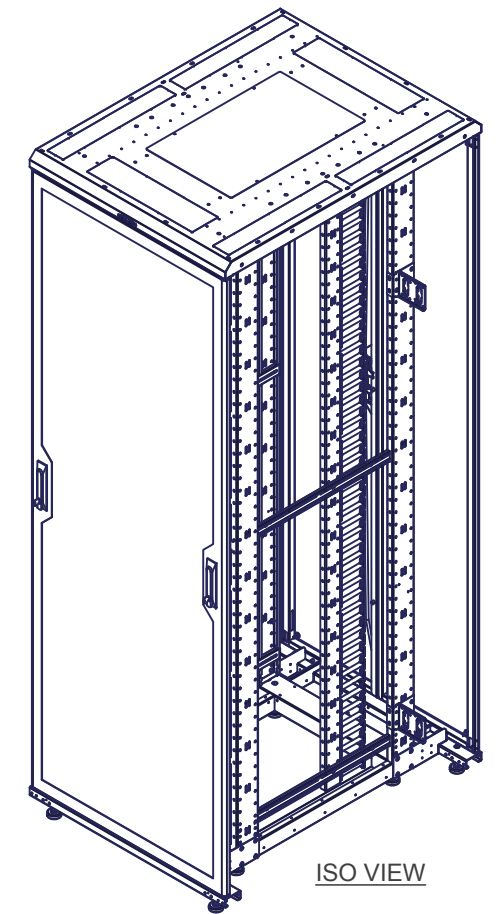


TOP VIEW



SPLIT MESH FRONT DOOR
PART # 9102ENM32

TOP VIEW



ISO VIEW

SPECIFICATIONS:

CONFIG. # KIT INCLUDES: QTY. 1 9101ENX3242, BASE FRAME UNIT WITH RAILS
QTY. 1 9102EN32SM, SPLIT MESH REAR DOOR ASSEMBLY
QTY. 1 9102ENM32, MESH FRONT DOOR ASSEMBLY

DIMENSIONS : 91.0"H x 32.0"W x 42.0"D

RACK SPACES : 48 RMU w/ NUMBERED RMU INDICATORS, 19" EIA 310-D COMPLIANT.

COLOR : DURABLE TEXTURED BLACK POWDER COATING

CONSTRUCTION : FULL WELDED FRAME WITH RECESSED #12 GA CORNER POSTS
1 PAIR FIXED #12 GA RAILS, 1 PAIR ADJUSTABLE DEPTH #12 GA RAILS
#16 C.R.S. DOORS & SOLID TOP PANEL

HARDWARE : PACKAGE OF QTY-50; #10-32 SCREWS -OR- M6 SCREWS W/ CAGE NUTS, INCLUDED.

(8) LEVELING GLIDES IN 1/2-13 UNC THREADED HOLES

EST. WEIGHT :
370.30 lbmass



INTERPRET DRAWING PER ASME Y14.5M-1994
DIMENSIONAL LIMITS APPLY AFTER APPLICATION OF FINISH
DRAWING NOT TO SCALE
TOLERANCE UNLESS OTHERWISE NOTED:
ANGULAR +/- 1'
.XXXX +/- .010
.XXX +/- .015
.XX +/- .030
.X FOR REF. ONLY

UNLESS OTHERWISE SPECIFIED ALL DIMENSIONS ARE IN INCHES

NOTICE:

Use of this document is subject to a confidentiality and nondisclosure agreement with Great Lakes Case & Cabinet Co., Inc. (GLCC) and may not be reproduced, disclosed or utilized in whole or in part without prior written authorization from GLCC.

PART NUMBER: 910EN3242MSS-NS	QTY PER UNIT: 1
MATERIAL TYPE: -	MATERIAL GAUGE: -
FINISH: -	DATE: 5/19/2014
DRAWN: FED	CHECKED & APP. WSS
DATE: 5/19/2014	DATE: 5/19/2014

TITLE: EN FRAME, 91"H x 32"W x 42"D w/ SOLID TOP, DUAL HINGE PERF FRONT DOOR, SPLIT PERF REAR DOOR & 48 RU RAILS	DWG NO.:	REV:
GREAT LAKES CASE & CABINET CO., INC. P.O. BOX 551 EDINBORO, PA 16412 PHONE (814) 734-7303 FAX (814) 734-3907 E-MAIL glcc@greatcabinets.com	SEE CHART	SHEET: 1 OF 1