

CONFIG PART #

910ENT3242MSS

EN FRAME 91"H x 32"W x 42"D WITH 2 PAIR OF 48 RMU #10-32 TAPPED RAILS, CABLE MANAGEMENT FINGERS ON ALL RAILS, SOLID TOP, DUAL HINGE PERF FRONT DOOR, SPLIT PERF REAR DOOR AND SOLID SIDES

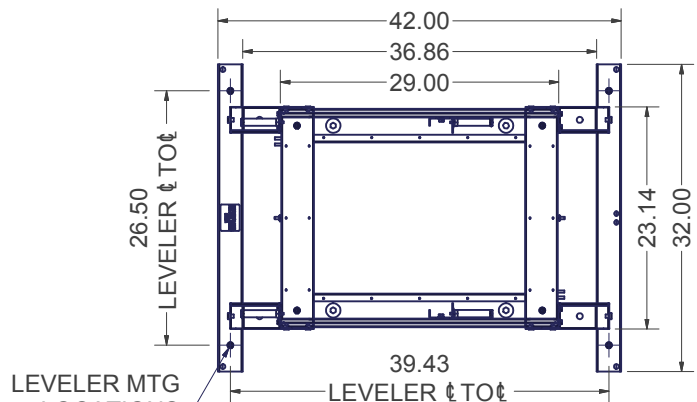
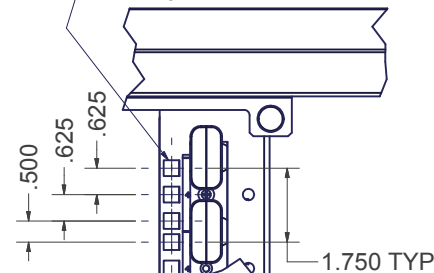
910EN3242MSS

EN FRAME 91"H x 32"W x 42"D WITH 2 PAIR OF 48 RMU M6 RAILS, CABLE MANAGEMENT FINGERS ON ALL RAILS, SOLID TOP, DUAL HINGE PERF FRONT DOOR, SPLIT PERF REAR DOOR AND SOLID SIDES

INDEPENDENT MOUNTING LOCATIONS FOR LADDER RACK BRACKETS OR TOP MOUNTED CABLE TROUGHS

SPLIT MESH DOORS PART # 9102EN32SM

19" EIA 310-D COMPLIANT REF PART # FOR: #10-32UNF TAPPED HOLES or 3/8" SQUARE HOLES w/ M6 HARDWARE

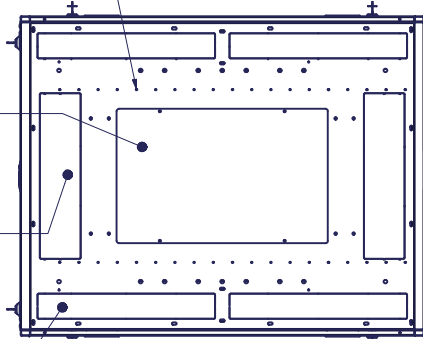


SECTION B-B  
DOORS AND SIDES REMOVED

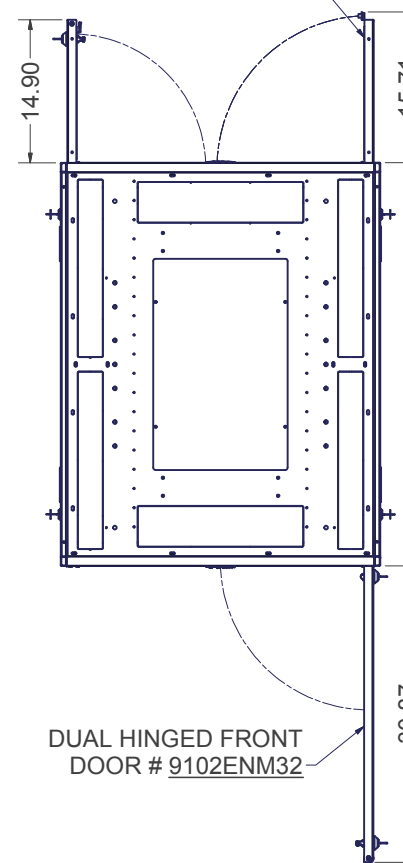
TOP PANEL OPENING (273 sq.in.); SOLID, VENTED, OR w/ EXHAUST FANS FLOWING UP TO 1100 CFM

4.25 x 17.25 CABLE PASS THROUGH KNOCKOUTS (73.3 sq.in.), 2 PLACES

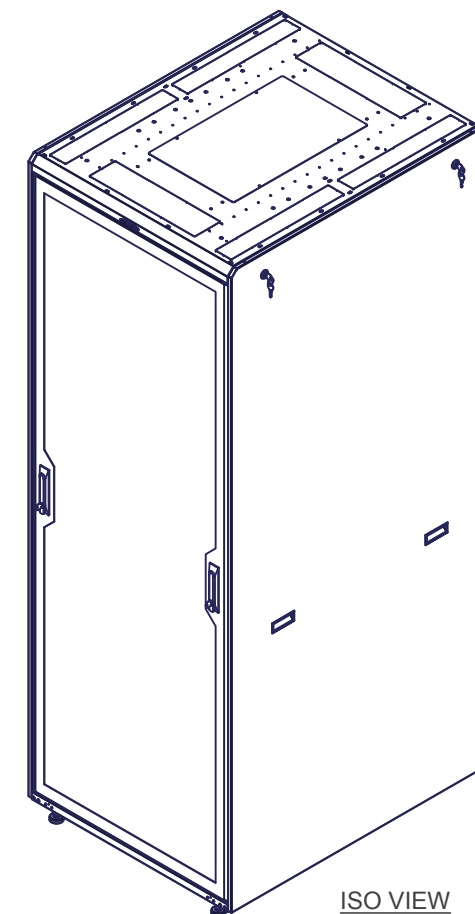
2.63 x 18.50 CABLE PASS THROUGH KNOCKOUTS (48.7 sq.in.), 4 PLACES



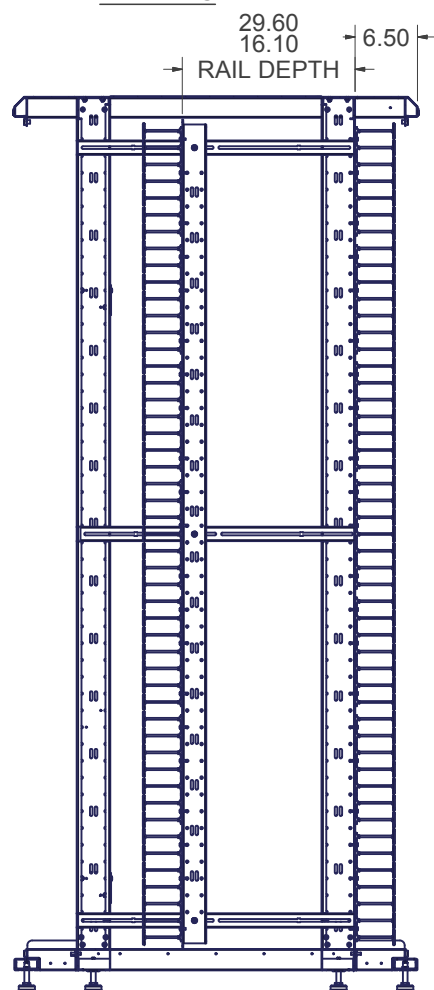
TOP VIEW



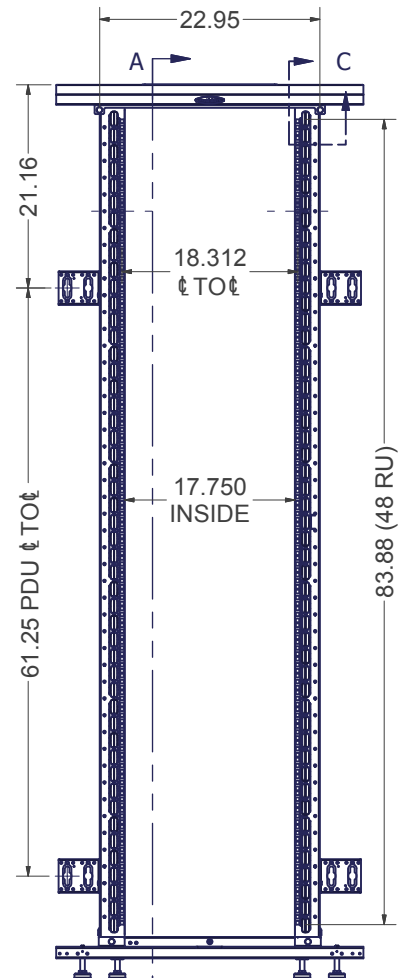
TOP VIEW



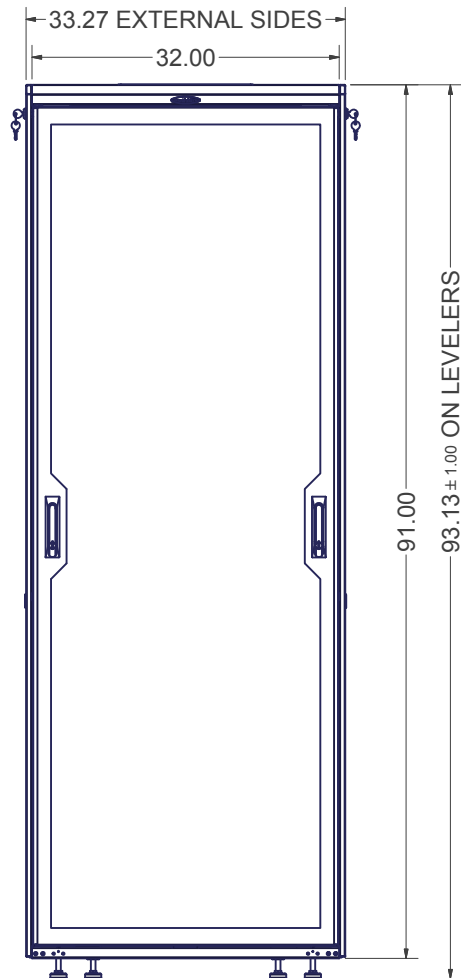
ISO VIEW



SECTION A-A

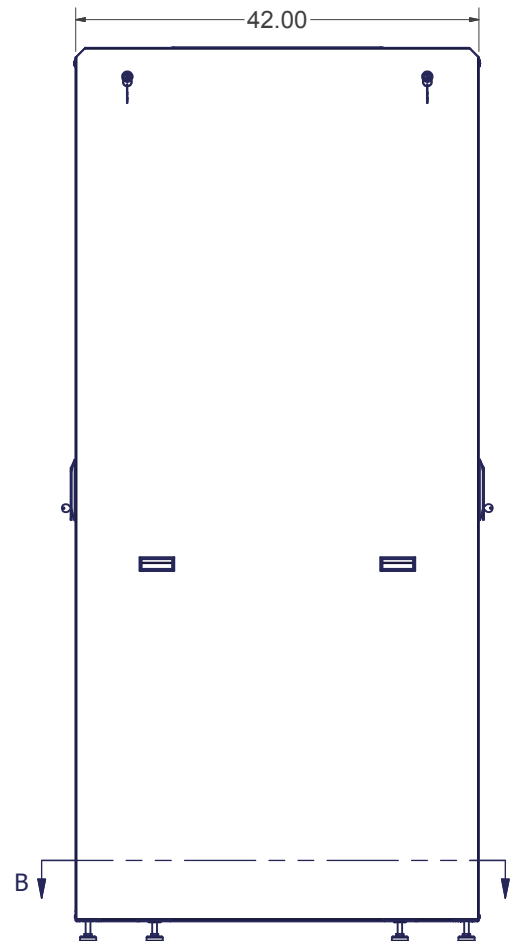


FRONT VIEW  
DOORS AND SIDES REMOVED



FRONT VIEW

(8) LEVELING GLIDES IN 1/2-13 UNC THREADED HOLES



RIGHT SIDE VIEW

**SPECIFICATIONS:**

**CONFIG. # KIT INCLUDES:** QTY. 1 9101ENX3242, BASE FRAME UNIT WITH RAILS  
QTY. 1 9102EN32SM, SPLIT MESH REAR DOOR ASSEMBLY  
QTY. 1 9102ENM32, MESH FRONT DOOR ASSEMBLY  
QTY. 2 9110421ENLS, SOLID LIFT-OFF SIDE PANEL ASSEMBLY

**DIMENSIONS :** 91.0"H x 32.0"W x 42.0"D

**RACK SPACES :** 48 RMU w/ NUMBERED RMU INDICATORS, 19" EIA 310-D COMPLIANT.

**COLOR :** DURABLE TEXTURED BLACK POWDER COATING

**CONSTRUCTION :** FULL WELDED FRAME WITH RECESSED #12 GA CORNER POSTS  
1 PAIR FIXED #12 GA RAILS, 1 PAIR ADJUSTABLE DEPTH #12 GA RAILS,  
#16 C.R.S DOORS, SOLID TOP PANEL & SIDE PANELS OF ALUMINUM

**HARDWARE :** PACKAGE OF QTY-50; #10-32 SCREWS -OR- M6 SCREWS W/ CAGE NUTS, INCLUDED.

EST. WEIGHT :  
434.53 lbmass



INTERPRET DRAWING PER ASME Y14.5M-1994  
DIMENSIONAL LIMITS APPLY AFTER APPLICATION OF FINISH  
DRAWING NOT TO SCALE  
TOLERANCE UNLESS OTHERWISE NOTED:  
ANGULAR +/- .1"  
.XXXX +/- .010  
.XXX +/- .015  
.XX +/- .030  
.X FOR REF. ONLY

UNLESS OTHERWISE SPECIFIED ALL DIMENSIONS ARE IN INCHES

**NOTICE:**

Use of this document is subject to a confidentiality and nondisclosure agreement with Great Lakes Case & Cabinet Co., Inc. (GLCC) and may not be reproduced, disclosed or utilized in whole or in part without prior written authorization from GLCC.

PART NUMBER: SEE CHART	
QTY PER UNIT:	1
MATERIAL TYPE:	-
MATERIAL GAUGE:	-
FINISH:	-
DRAWN	DATE
FED	5/19/2014
CHECKED & APP.	DATE
WSS	5/19/2014

TITLE EN FRAME, 91"H x 32"W x 42"D w/ SOLID TOP, DUAL HINGE PERF FRONT DOOR, SPLIT PERF REAR DOOR, SOLID SIDES & 48 RU RAILS  
GREAT LAKES CASE & CABINET CO., INC.  
P.O. BOX 551 EDINBORO, PA 16412  
PHONE (814) 734-7303 FAX (814) 734-3907  
E-MAIL glcc@greatcabinets.com

DWG NO.	REV
SEE CHART	SEE CHART
SHEET: 1 OF 1	