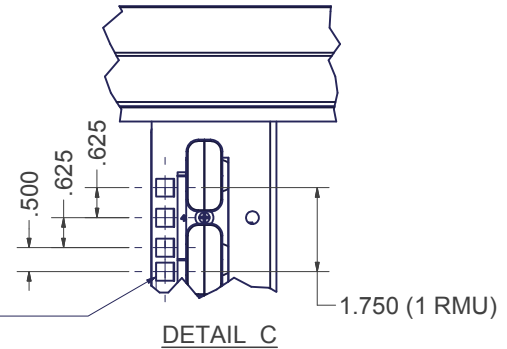


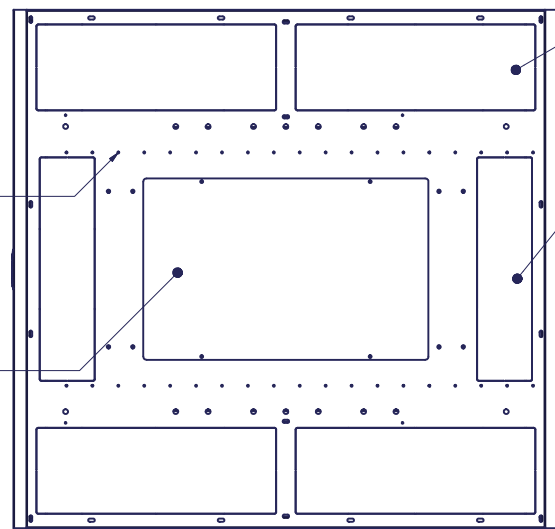
CONFIG PART #	
910ENT4042-FK	910EN4042-FK
EN FRAME 91"H x 40"W x 42"D WITH 2 PAIR OF 48 RMU #10-32 TAPPED RAILS AND CABLE MANAGEMENT FINGERS ON ALL RAILS	EN FRAME 91"H x 40"W x 42"D WITH 2 PAIR OF 48 RMU M6 RAILS AND CABLE MANAGEMENT FINGERS ON ALL RAILS

19" EIA 310-D COMPLIANT
REF PART # FOR
#10-32UNF TAPPED
EQUIP MTG HOLES
or
3/8" SQUARE EQUIP
MTG HOLES FOR M6
CAGE NUTS



INDEPENDANT MOUNTING
LOCATIONS FOR LADDER
RACK BRACKETS OR TOP
MOUNTED CABLE TROUGHS

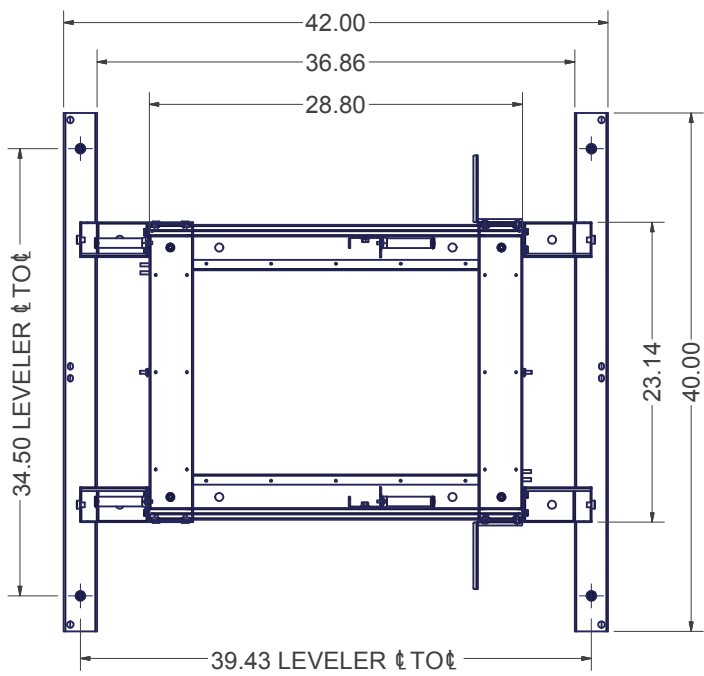
TOP PANEL OPENING
(273 sq in) SOLID, VENTED,
OR w/ EXHAUST FANS
FLOWING UP TO 1100 cfm



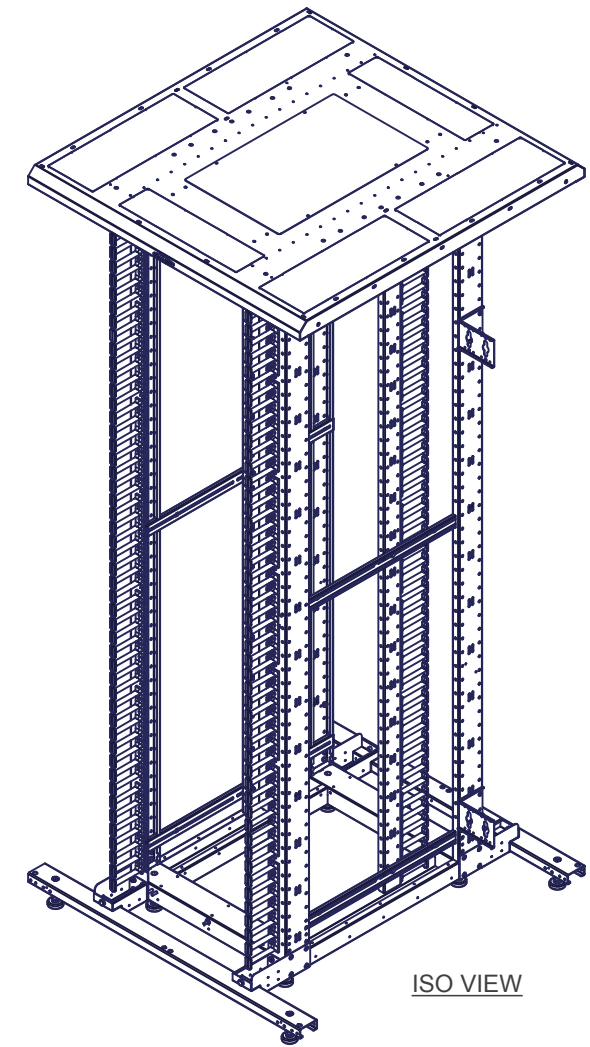
6.63 x 18.50 CABLE PASS-
THROUGH KNOCK-OUTS
(307.6 sq in), (4) PLACES

4.25 x 17.25 CABLE PASS-
THROUGH KNOCK-OUT
(73.3 sq in), (2) PLACES

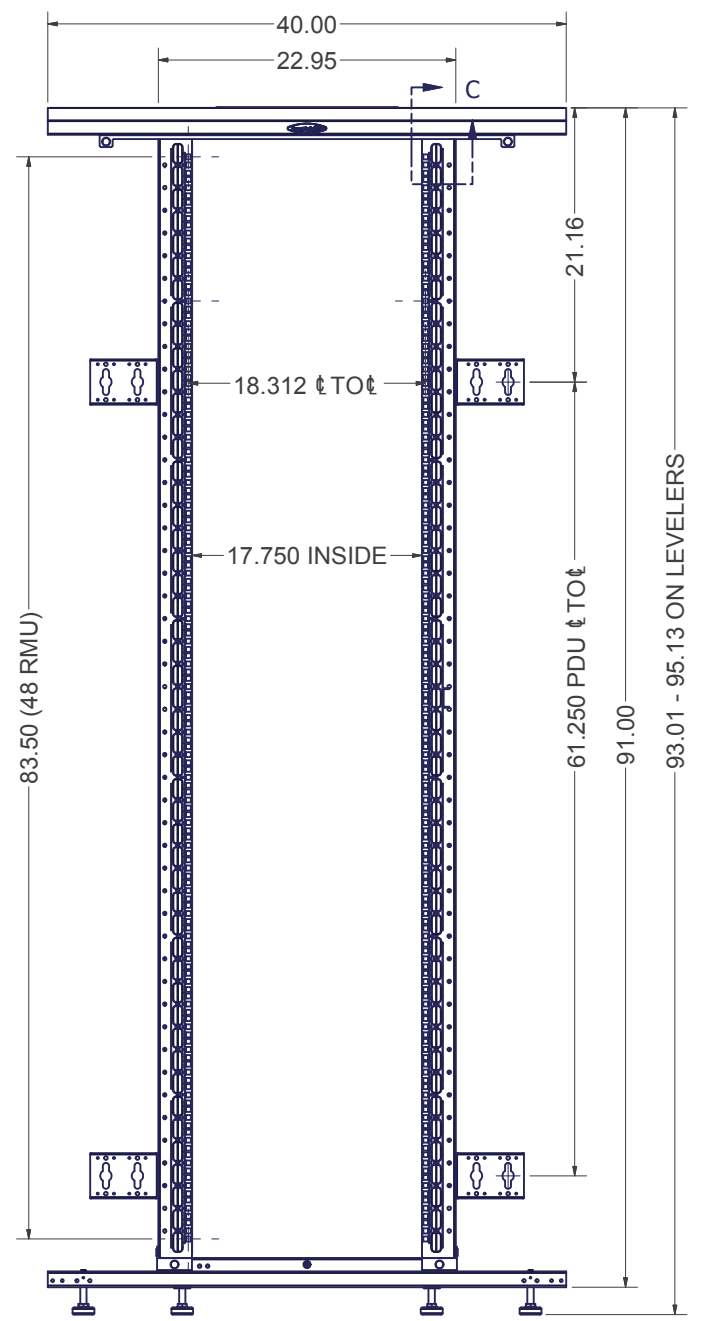
TOP VIEW



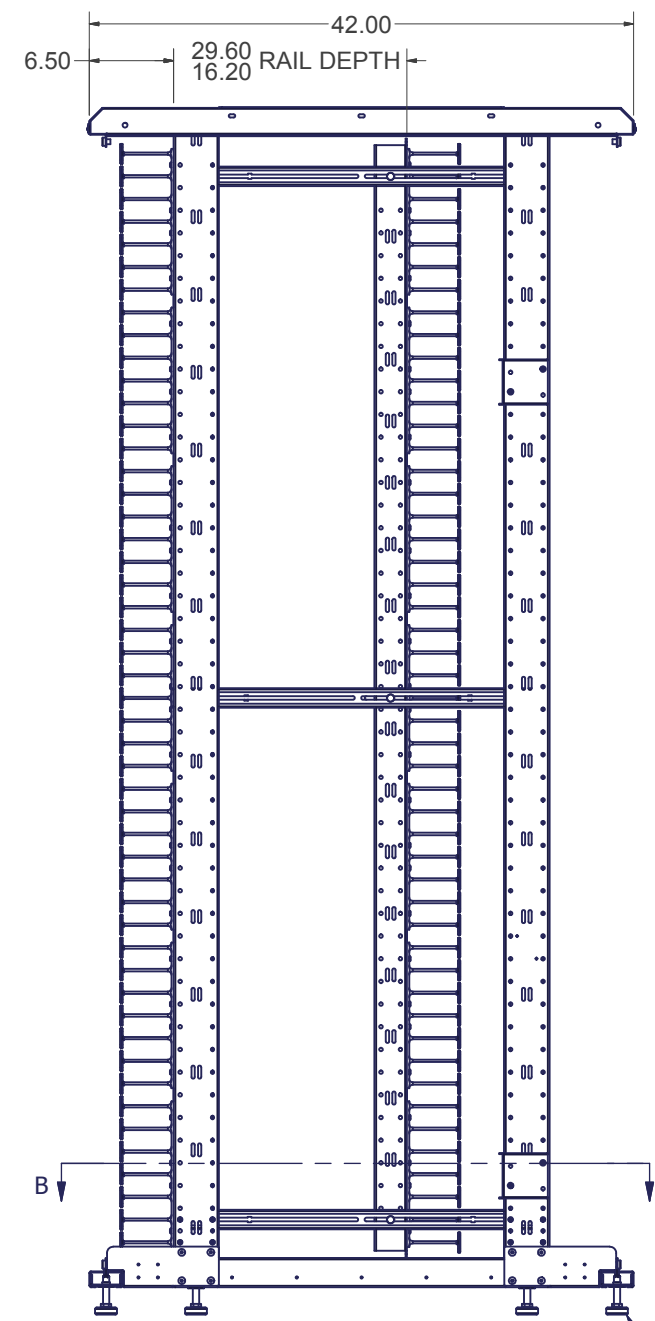
SECTION B-B



ISO VIEW



FRONT VIEW



RIGHT SIDE VIEW

(8) LEVELING GLIDES
IN 1/2-13 UNC HOLES

SPECIFICATIONS:

- CONFIG. # KIT INCLUDES:** QTY. 1 9101ENX4042, BASE FRAME UNIT WITH RAILS
- DIMENSIONS :** 91.0"H x 40.0"W x 42.0"D
- RACK SPACES :** 48 RMU w/ NUMBERED RMU INDICATORS, 19" EIA 310-D COMPLIANT.
- COLOR :** DURABLE TEXTURED BLACK POWDER COATING
- CONSTRUCTION :** FULL WELDED FRAME WITH RECESSED #12 GA CORNER POSTS
1 PAIR FIXED #12 GA RAILS & 1 PAIR ADJUSTABLE DEPTH #12 GA RAILS
- HARDWARE :** PACKAGE OF QTY-50; #10-32 SCREWS -OR- M6 SCREWS W/ CAGE NUTS, INCLUDED.

NOTICE:

Use of this document is subject to a confidentiality and nondisclosure agreement with Great Lakes Case & Cabinet Co., Inc. (GLCC) and may not be reproduced, disclosed or utilized in whole or in part without prior written authorization from GLCC.

EST. WEIGHT :
189.47 lbmass

INTERPRET DRAWING PER ASME Y14.5M-1994
DIMENSIONAL LIMITS APPLY AFTER APPLICATION OF FINISH
DRAWING NOT TO SCALE
TOLERANCE UNLESS OTHERWISE NOTED:
ANGULAR +/- .1°
.XXXX +/- .010
.XXX +/- .015
.XX +/- .030
.X FOR REF. ONLY
UNLESS OTHERWISE SPECIFIED ALL DIMENSIONS ARE IN INCHES

PART NUMBER:	SEE CHART
QTY PER UNIT:	1
MATERIAL TYPE:	
MATERIAL GAUGE:	
FINISH:	
DRAWN:	DATE
FED	5/13/2014
CHECKED & APP.	DATE
WSS	5/13/2014

TITLE	91"H x 40"W x 42"D 'EN' SERIES ENCLOSURE FRAME KIT w/ SOLID TOP PANEL
GREAT LAKES CASE & CABINET CO., INC.	
P.O. BOX 551 EDINBORO, PA 16412	
PHONE (814) 734-7303 FAX (814) 734-3907	
E-MAIL glcc@greatcabinets.com	
DWG NO.	REV
SEE CHART	
SHEET: 1 OF 1	