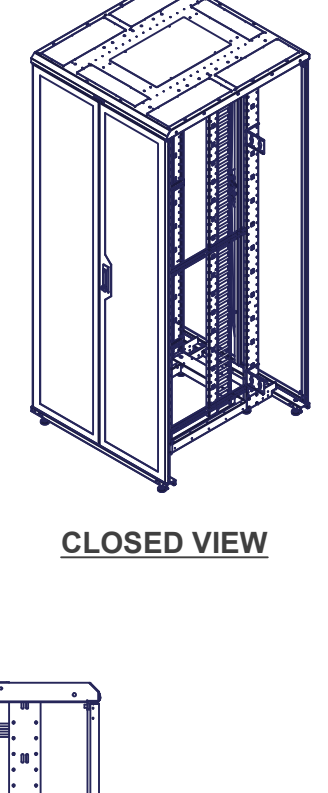
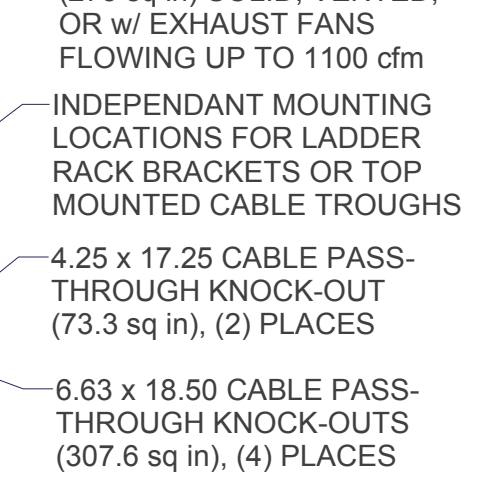
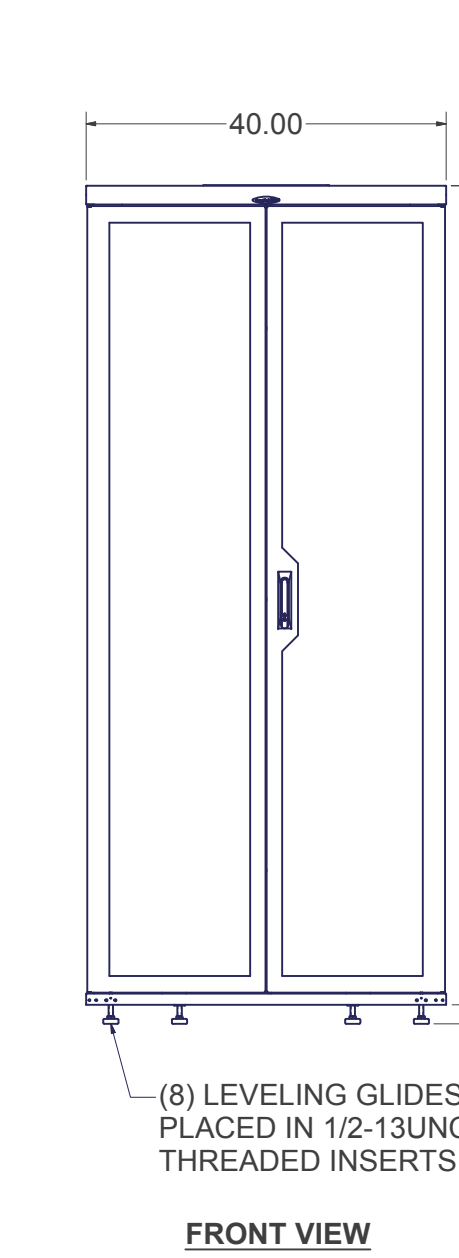
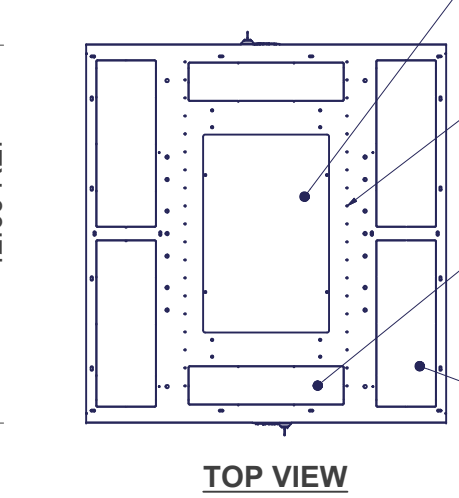
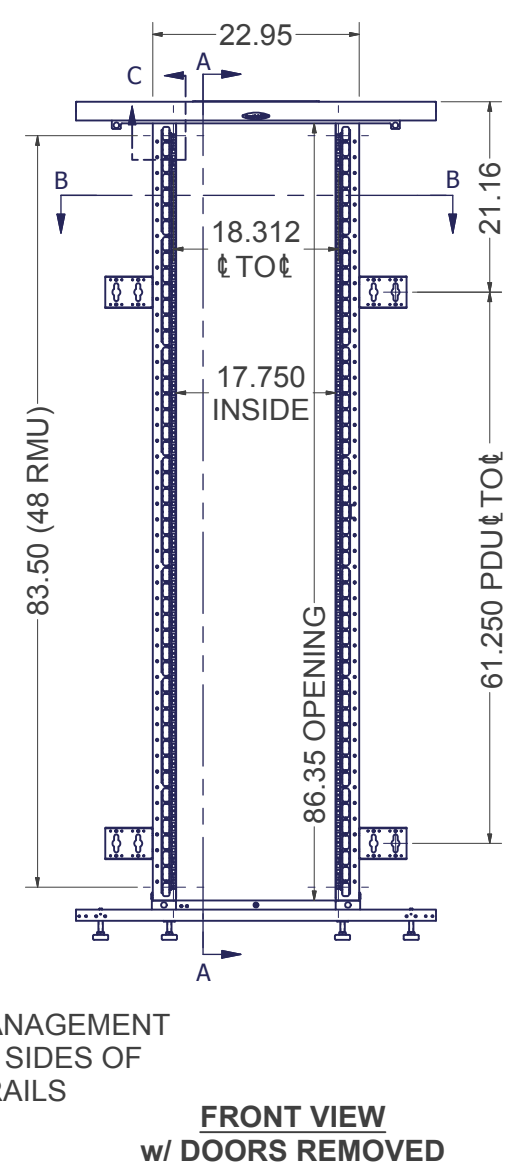
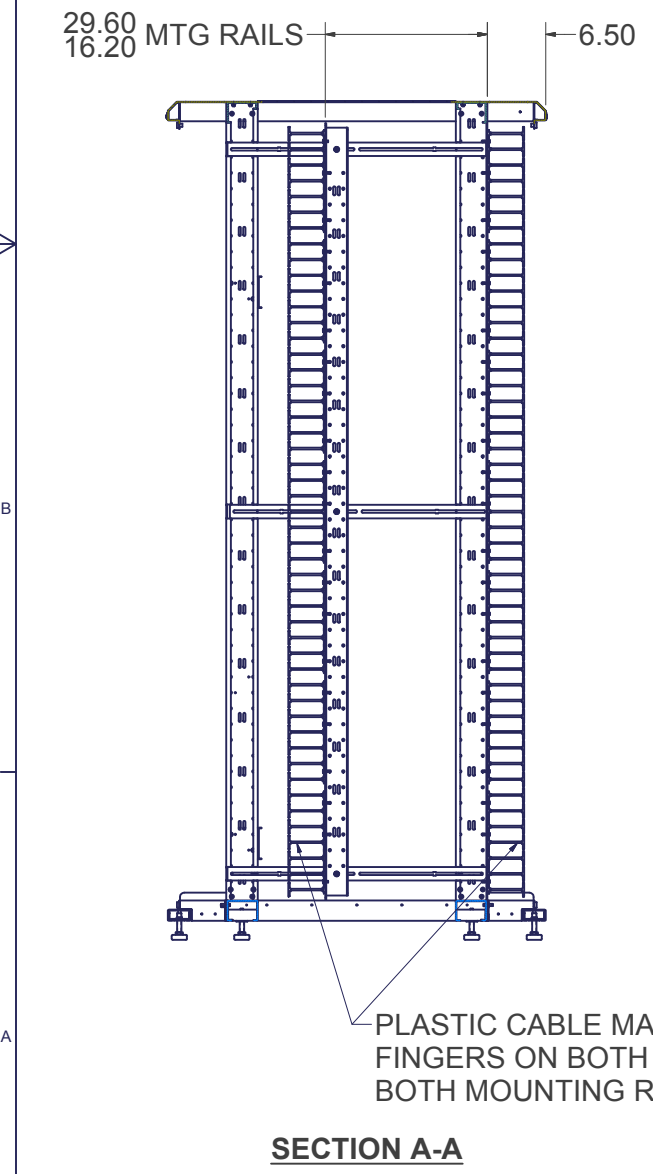
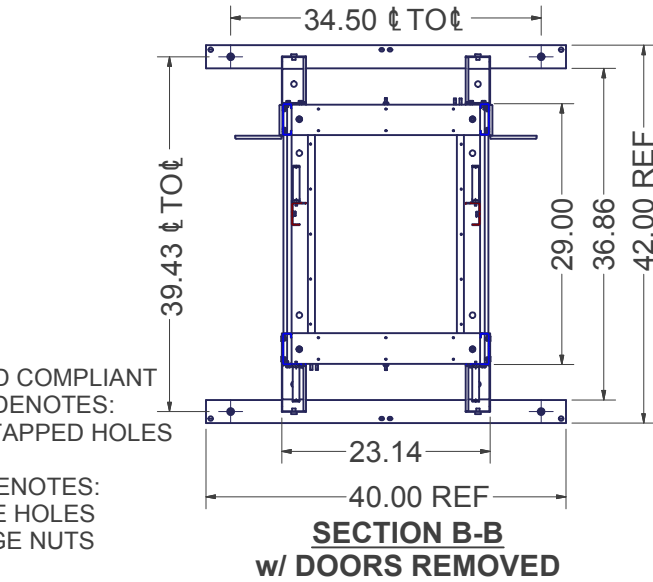
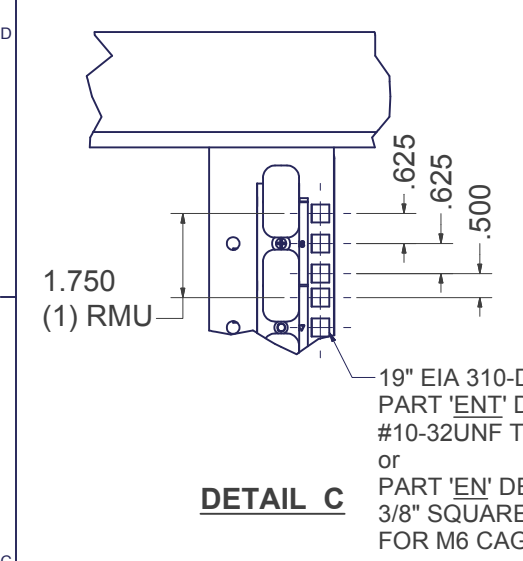


| CONFIG PART # | |
|---|---|
| 910ENT4042SSS-NS | 910EN4042SSS-NS |
| EN FRAME 91"H x 40"W x 42"D w/ (2) PR OF 48 RMU, #10-32UNF TAPPED RAILS, CABLE MANGAGMENT FINGERS ON ALL RAILS, SOLID TOP PANEL, SPLIT MESH FRONT & REAR DOORS & NO SIDE PANELS | EN FRAME 91"H x 40"W x 42"D w/ (2) PR OF 48 RMU, 3/8" SQUARE HOLES FOR M6 CAGE NUTS, CABLE MANAGEMENT FINGERS ON ALL RAILS, SOLID TOP PANEL, SPLIT MESH FRONT & REAR DOORS & NO SIDE PANELS |



- SPECIFICATIONS:**
- DIMENSIONS:** 91"H (93" w/ LEVELERS) x 40"W x 42"D
 - RACK SPACES:** 48 RMU w/ NUMBERED RMU INDICATORS, 19" EIA 310-E COMPLIANT
 - WEIGHT CAPACITY:** 2000 lbs BOLTED TO FLOOR ON LEVELERS,
 - COLOR:** DURABLE TEXTURED BLACK POWDER COATING
 - CERTIFICATIONS:** UL 60950-1 STANDARD FOR IT & COMMUNICATIONS EQUIPMENT ENCLOSURES
 - CONSTRUCTION:** FULL WELDED STEEL FRAME w/ RECESSED #12 GA CORNER POSTS, 1 PR FIXED #12 GA RAILS, 1 PR OF ADJUSTABLE DEPTH #12 GA RAILS, MESH DOORS OF #16 GA STEEL
 - HARDWARE:** PACKAGED (QTY 50), M6 OR #10-32 SCREWS & CAGE NUTS PER CUSTOMER REQUIREMENTS

| | | | | |
|--------------------------------|---|---|---------------------------|---|
| EST. WEIGHT : 312.78 lbmass | INTERPRET DRAWING PER ASME Y14.5M-1994 | NOTICE: Use of this document is subject to a confidentiality and nondisclosure agreement with Great Lakes Case & Cabinet Co., Inc. (GLCC) and may not be reproduced, disclosed or utilized in whole or in part without prior written authorization from GLCC. | PART NUMBER: SEE CHART | TITLE: 91"H x 40"W x 42"D 'EN' SERIES ENCLOSURE w/ SOLID TOP PANEL, FRONT & REAR SPLIT MESH DOORS & NO SIDE PANELS |
| | DIMENSIONAL LIMITS APPLY AFTER APPLICATION OF FINISH | | QTY PER UNIT: 1 | GREAT LAKES CASE & CABINET CO., INC. P.O. BOX 551 EDINBORO, PA 16412 PHONE (814) 734-7303 FAX (814) 734-3907 E-MAIL glcc@greatcabinets.com |
| THIRD ANGLE PROJECTION | DRAWING NOT TO SCALE | | MATERIAL TYPE: | DWG NO: |
| | TOLERANCE UNLESS OTHERWISE NOTED: ANGULAR +/- .1" .XXXX +/- .010 .XXX +/- .015 .XX +/- .030 .X FOR REF. ONLY | | MATERIAL GAUGE: | REV |
| | UNLESS OTHERWISE SPECIFIED ALL DIMENSIONS ARE IN INCHES | | FINISH: | DATE |
| | | | DRAWN: 5/13/2014 | CHECKED & APP. DATE: 2/8/2011 |
| | | | WSS | SEE CHART |
| | | | | SHEET: 1 OF 1 |