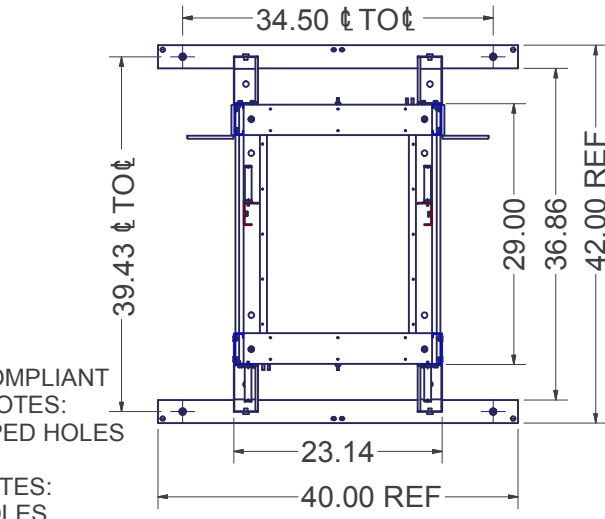
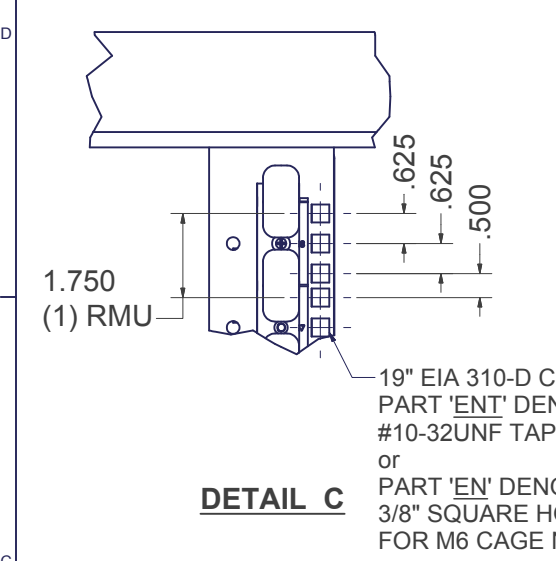
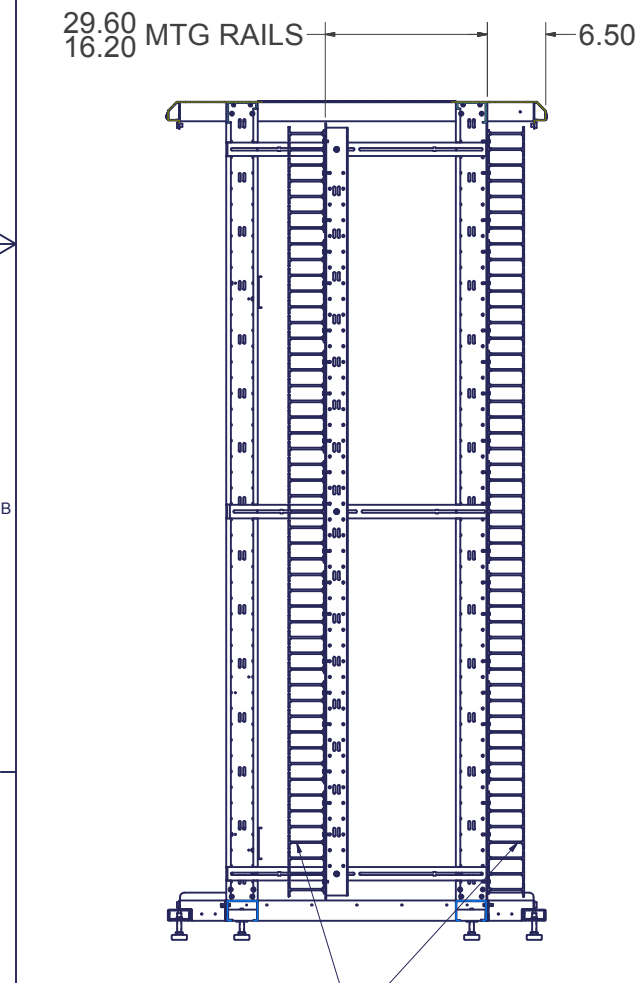


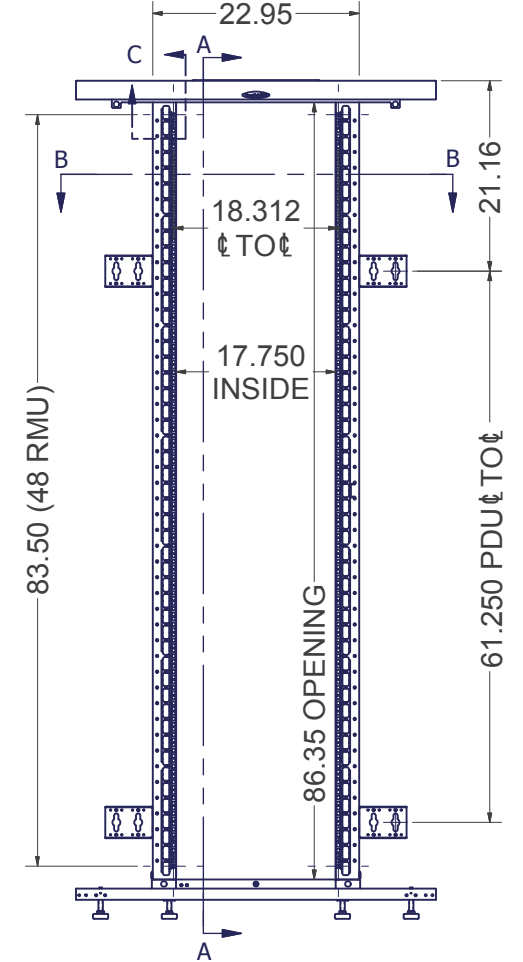
CONFIG PART #	
910ENT4042SSS	910EN4042SSS
EN FRAME 91"H x 40"W x 42"D w/ (2) PR OF 48 RMU, #10-32UNF TAPPED RAILS, CABLE MANGAGMENT FINGERS ON ALL RAILS, SOLID TOP PANEL, SPLIT MESH FRONT & REAR DOORS & (2) SOLID SIDE PANELS	EN FRAME 91"H x 40"W x 42"D w/ (2) PR OF 48 RMU, 3/8" SQUARE HOLES FOR M6 CAGE NUTS, CABLE MANAGEMENT FINGERS ON ALL RAILS, SOLID TOP PANEL, SPLIT MESH FRONT & REAR DOORS & (2) SOLID SIDE PANELS



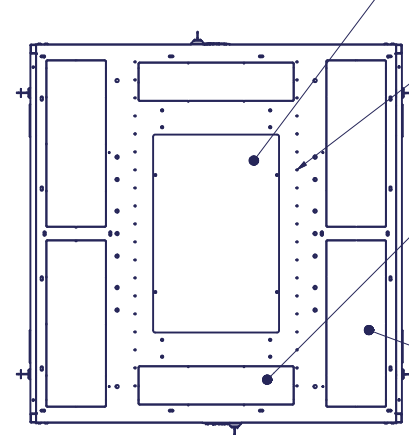
SECTION B-B
w/ DOORS & SIDE PANELS REMOVED



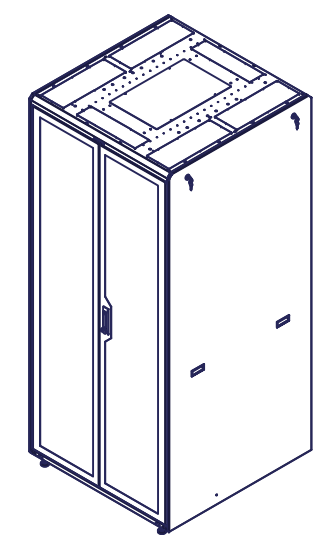
SECTION A-A



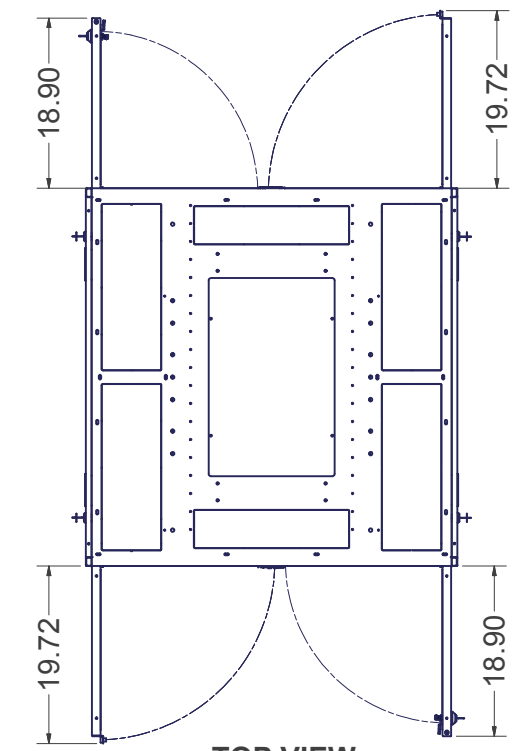
FRONT VIEW
w/ DOORS & SIDE PANELS REMOVED



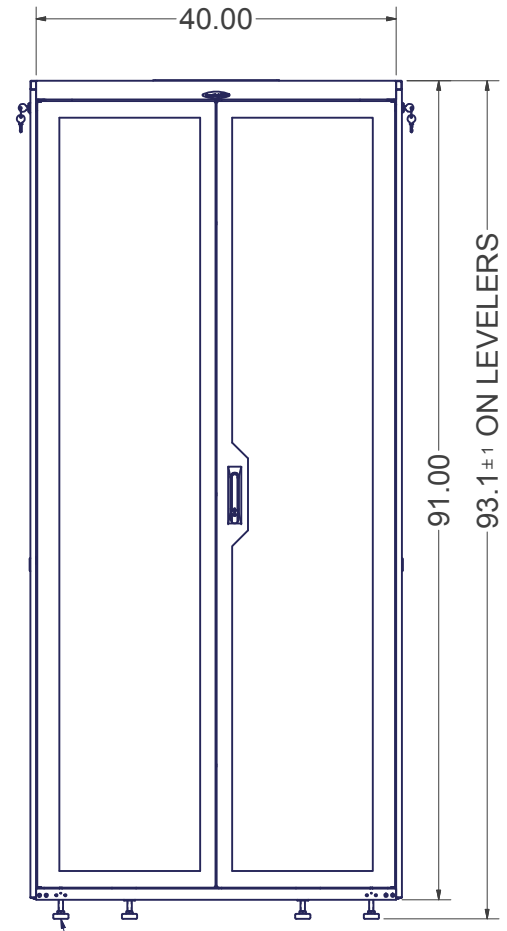
TOP VIEW



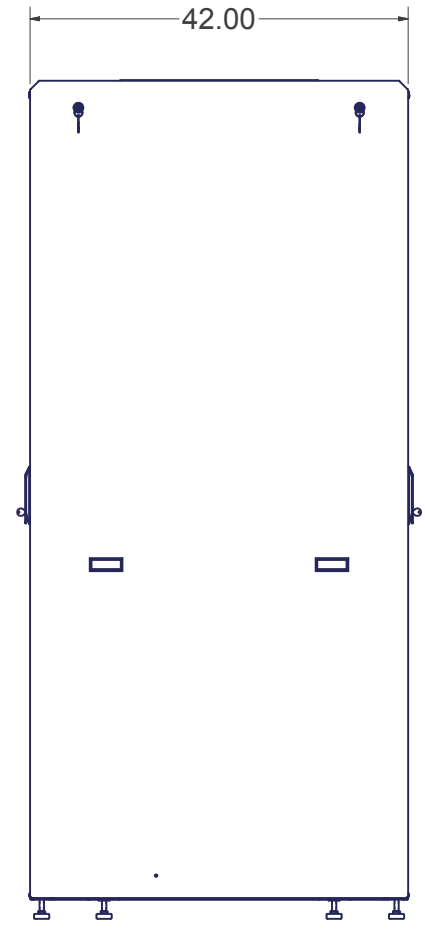
CLOSED VIEW



TOP VIEW
w/ DOORS OPENED



FRONT VIEW



RIGHTSIDE VIEW

(8) LEVELING GLIDES PLACED IN 1/2-13UNC THREADED INSERTS

SPECIFICATIONS:

- DIMENSIONS:** 91"H (93" w/ LEVELERS) x 40"W x 42"D
- RACK SPACES:** 48 RMU w/ NUMBERED RMU INDICATORS, 19" EIA 310-E COMPLIANT
- WEIGHT CAPACITY:** 2000 lbs BOLTED TO FLOOR ON LEVELERS,
- COLOR:** DURABLE TEXTURED BLACK POWDER COATING
- CERTIFICATIONS:** UL 60950-1 STANDARD FOR IT & COMMUNICATIONS EQUIPMENT ENCLOSURES
- CONSTRUCTION:** FULL WELDED STEEL FRAME w/ RECESSED #12 GA CORNER POSTS, 1 PR FIXED #12 GA RAILS, 1 PR OF ADJUSTABLE DEPTH #12 GA RAILS, MESH DOORS OF #16 GA STEEL & SIDE PANELS OF LIGHTWEIGHT .060" ALUMINUM
- HARDWARE:** PACKAGED (QTY 50), M6 OR #10-32 SCREWS & CAGE NUTS PER CUSTOMER REQUIREMENTS

NOTICE:

Use of this document is subject to a confidentiality and nondisclosure agreement with Great Lakes Case & Cabinet Co., Inc. (GLCC) and may not be reproduced, disclosed or utilized in whole or in part without prior written authorization from GLCC.

EST. WEIGHT :
377.00 lbmass

INTERPRET DRAWING PER ASME Y14.5M-1994
DIMENSIONAL LIMITS APPLY AFTER APPLICATION OF FINISH
DRAWING NOT TO SCALE
TOLERANCE UNLESS OTHERWISE NOTED:
ANGULAR +/- .1°
.XXXX +/- .010
.XXX +/- .015
.XX +/- .030
.X FOR REF. ONLY
UNLESS OTHERWISE SPECIFIED ALL DIMENSIONS ARE IN INCHES

PART NUMBER: SEE CHART
QTY PER UNIT: 1
MATERIAL TYPE: -
MATERIAL GAUGE: -
FINISH: -
DRAWN FED CHECKED & APP. WSS
DATE 5/13/2014 DATE 2/8/2011

TITLE 91"H x 40"W x 42"D 'EN' SERIES ENCLOSURE w/ SOLID TOP PANEL, FRONT & REAR SPLIT MESH DOORS & SOLID SIDE PANELS
GREAT LAKES CASE & CABINET CO., INC. P.O. BOX 551 EDINBORO, PA 16412 PHONE (814) 734-7303 FAX (814) 734-3907 E-MAIL glcc@greatcabinets.com
DWG NO. REV SEE CHART
SHEET: 1 OF 1